

## Technical details

### Model

Model:	EH 5/6	Motor:	SIZE 80-S 220-240V 50Hz 1,5kW
Family:	EH - Horizontal multistage	Material:	STANDARD
Suction:	Rp 1"1/4		
Delivery:	Rp 1"		

### Application

Agriculture and irrigation  
 Domestic  
 Industrial

### Pump type

Horizontal

### Duty point

Flow rate:	5 m <sup>3</sup> /h
Head:	49,51 m
Pump efficiency:	57 %
NPSHr:	1,63 m
Nominal speed:	2854 rpm
Pump power (P2):	1,19 kW
Electropump power (P1):	1,46 kW

### Fluid properties

Fluid:	Water
Density:	1 kg/dm <sup>3</sup>
Kinematic viscosity:	1 cSt
Temperature:	20 °C
Vapor pressure:	2,204 kPa

### Pump nameplate data

Flow rate:	2-7 m <sup>3</sup> /h
Head:	64-34 m
Maximum head:	70 m
Minimum head:	34 m
Max temperature:	110 °C
Net Weight + packaging:	17 Kg

### Motor nameplate data

Brand:	
Model:	SIZE 80-S 220-240V 50Hz 1,5kW
Nominal power (P2):	1,3 kW
Nominal speed:	2850 rpm
Nominal frequency:	1~ / 50 Hz
Nominal voltage:	220-240 V
Nominal current:	7,3 A
Index of protection:	IP55
Insulation class:	F

### Control Panel

Capacitor:	μF
Voltage:	V
Index of protection:	

### Control Panel

Capacitor:	μF
------------	----

Voltage: V

Index of protection:

**Control Panel**

---

Capacitor:  $\mu\text{F}$

Voltage: V

Index of protection:

**Control Panel**

---

Capacitor:  $\mu\text{F}$

Voltage: V

Index of protection:

**Control Panel**

---

Capacitor:  $\mu\text{F}$

Voltage: V

Index of protection:

**Control Panel**

---

Capacitor:  $\mu\text{F}$

Voltage: V

Index of protection:

**Control Panel**

---

Capacitor:  $\mu\text{F}$

Voltage: V

Index of protection:

**Control Panel**

---

Capacitor:  $\mu\text{F}$

Voltage: V

Index of protection:

**Control Panel**

---

Capacitor:  $\mu\text{F}$

Voltage: V

Index of protection:

**Control Panel**

---

Capacitor:  $\mu\text{F}$

Voltage: V

Index of protection:

**Control Panel**

---

Capacitor:  $\mu\text{F}$

Voltage: V

Index of protection:

**Control Panel**

---

Capacitor:  $\mu\text{F}$

Voltage: V

Index of protection:

---

**Control Panel**

Capacitor:  $\mu\text{F}$

Voltage: V

Index of protection:

---

**Control Panel**

Capacitor:  $\mu\text{F}$

Voltage: V

Index of protection:

---

**Control Panel**

Capacitor:  $\mu\text{F}$

Voltage: V

Index of protection:

---

**Control Panel**

Capacitor:  $\mu\text{F}$

Voltage: V

Index of protection:

---

**Control Panel**

Capacitor:  $\mu\text{F}$

Voltage: V

Index of protection:

---

**Control Panel**

Capacitor:  $\mu\text{F}$

Voltage: V

Index of protection:

---

**Control Panel**

Capacitor:  $\mu\text{F}$

Voltage: V

Index of protection:

---

**Control Panel**

Capacitor:  $\mu\text{F}$

Voltage: V

Index of protection:

---

**Control Panel**

Capacitor:  $\mu\text{F}$

Voltage: V

Index of protection:

---

**Control Panel**

Capacitor:  $\mu\text{F}$

Voltage: V

Index of protection:

---

**Control Panel**

Capacitor:  $\mu\text{F}$

Voltage: V

Index of protection:

---

**Control Panel**

Capacitor:  $\mu\text{F}$

Voltage: V

Index of protection:

---

**Control Panel**

Capacitor:  $\mu\text{F}$

Voltage: V

Index of protection:

---

**Control Panel**

Capacitor:  $\mu\text{F}$

Voltage: V

Index of protection:

---

**Control Panel**

Capacitor:  $\mu\text{F}$

Voltage: V

Index of protection:

---

**Control Panel**

Capacitor:  $\mu\text{F}$

Voltage: V

Index of protection:

---

**Control Panel**

Capacitor:  $\mu\text{F}$

Voltage: V

Index of protection:

---

**Control Panel**

Capacitor:  $\mu\text{F}$

Voltage: V

Index of protection:

---

**Control Panel**

Capacitor:  $\mu\text{F}$

Voltage: V

Index of protection:

---

**Control Panel**

Capacitor:  $\mu\text{F}$

Voltage: V

Index of protection:

---

**Control Panel**

Capacitor:  $\mu\text{F}$   
Voltage: V

Index of protection:

**Control Panel**

---

Capacitor:  $\mu\text{F}$   
Voltage: V

Index of protection:

**Control Panel**

---

Capacitor:  $\mu\text{F}$   
Voltage: V

Index of protection:

**Control Panel**

---

Capacitor:  $\mu\text{F}$   
Voltage: V

Index of protection:

**Control Panel**

---

Capacitor:  $\mu\text{F}$   
Voltage: V

Index of protection:

**Control Panel**

---

Capacitor:  $\mu\text{F}$   
Voltage: V

Index of protection:

**Control Panel**

---

Capacitor:  $\mu\text{F}$   
Voltage: V

Index of protection:

**Control Panel**

---

Capacitor:  $\mu\text{F}$   
Voltage: V

Index of protection:

**Control Panel**

---

Capacitor:  $\mu\text{F}$   
Voltage: V

Index of protection:

**Control Panel**

---

Capacitor:  $\mu\text{F}$   
Voltage: V

Index of protection:

**Control Panel**

---

Capacitor:  $\mu\text{F}$

Voltage: V

Index of protection:

**Control Panel**

---

Capacitor:  $\mu\text{F}$

Voltage: V

Index of protection:

**Control Panel**

---

Capacitor:  $\mu\text{F}$

Voltage: V

Index of protection:

**Control Panel**

---

Capacitor:  $\mu\text{F}$

Voltage: V

Index of protection:

**Control Panel**

---

Capacitor:  $\mu\text{F}$

Voltage: V

Index of protection:

**Control Panel**

---

Capacitor:  $\mu\text{F}$

Voltage: V

Index of protection:

**Control Panel**

---

Capacitor:  $\mu\text{F}$

Voltage: V

Index of protection:

**Control Panel**

---

Capacitor:  $\mu\text{F}$

Voltage: V

Index of protection:

**Control Panel**

---

Capacitor:  $\mu\text{F}$

Voltage: V

Index of protection:

**Control Panel**

---

Capacitor:  $\mu\text{F}$

Voltage: V

Index of protection:

**Control Panel**

---

Capacitor:  $\mu\text{F}$

Voltage: V

Index of protection:

**Control Panel**

---

Capacitor:  $\mu\text{F}$

Voltage: V

Index of protection:

**Control Panel**

---

Capacitor:  $\mu\text{F}$

Voltage: V

Index of protection:

**Control Panel**

---

Capacitor:  $\mu\text{F}$

Voltage: V

Index of protection:

**Control Panel**

---

Capacitor:  $\mu\text{F}$

Voltage: V

Index of protection:

**Control Panel**

---

Capacitor:  $\mu\text{F}$

Voltage: V

Index of protection:

**Control Panel**

---

Capacitor:  $\mu\text{F}$

Voltage: V

Index of protection:

**Control Panel**

---

Capacitor:  $\mu\text{F}$

Voltage: V

Index of protection:

**Control Panel**

---

Capacitor:  $\mu\text{F}$

Voltage: V

Index of protection:

**Control Panel**

---

Capacitor:  $\mu\text{F}$

Voltage: V

Index of protection:

**Control Panel**

---

Capacitor:  $\mu\text{F}$

Voltage: V

Index of protection:

**Control Panel**

---

Capacitor:  $\mu\text{F}$

Voltage: V

Index of protection:

**Control Panel**

---

Capacitor:  $\mu\text{F}$

Voltage: V

Index of protection:

**Control Panel**

---

Capacitor:  $\mu\text{F}$

Voltage: V

Index of protection:

**Control Panel**

---

Capacitor:  $\mu\text{F}$

Voltage: V

Index of protection:

**Control Panel**

---

Capacitor:  $\mu\text{F}$

Voltage: V

Index of protection:

**Control Panel**

---

Capacitor:  $\mu\text{F}$

Voltage: V

Index of protection:

**Control Panel**

---

Capacitor:  $\mu\text{F}$

Voltage: V

Index of protection:

**Control Panel**

---

Capacitor:  $\mu\text{F}$

Voltage: V

Index of protection:

**Control Panel**

---

Capacitor:  $\mu\text{F}$

Voltage: V

Index of protection:

**Control Panel**

---

Capacitor:  $\mu\text{F}$

Voltage: V

Index of protection:

**Control Panel**

---



Capacitor:  $\mu\text{F}$   
Voltage: V

Index of protection:

**Control Panel**

---

Capacitor:  $\mu\text{F}$   
Voltage: V

Index of protection:

**Control Panel**

---

Capacitor:  $\mu\text{F}$   
Voltage: V

Index of protection:

**Control Panel**

---

Capacitor:  $\mu\text{F}$   
Voltage: V

Index of protection:

**Control Panel**

---

Capacitor:  $\mu\text{F}$   
Voltage: V

Index of protection:

**Control Panel**

---

Capacitor:  $\mu\text{F}$   
Voltage: V

Index of protection:

**Control Panel**

---

Capacitor:  $\mu\text{F}$   
Voltage: V

Index of protection:

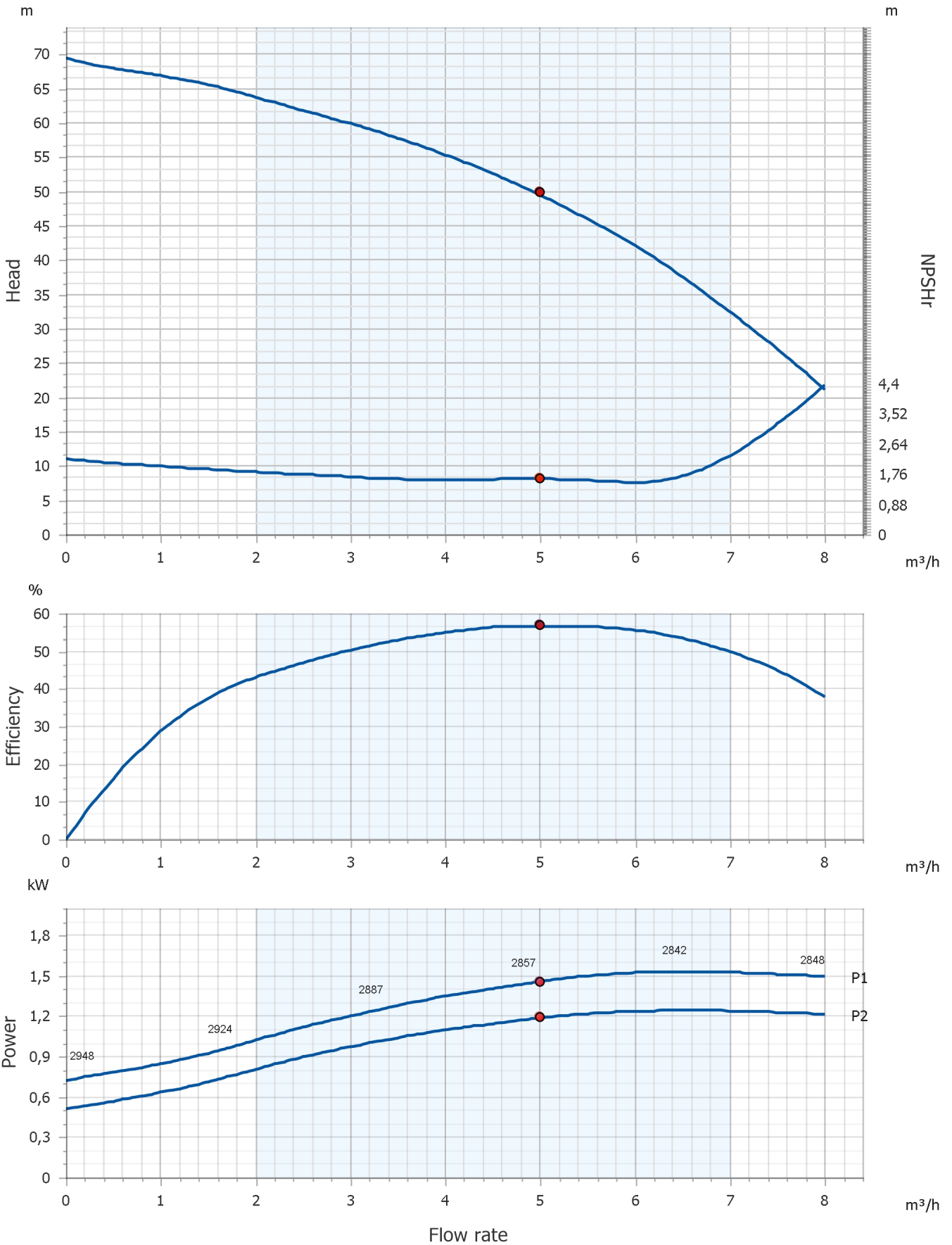
**Control Panel**

---

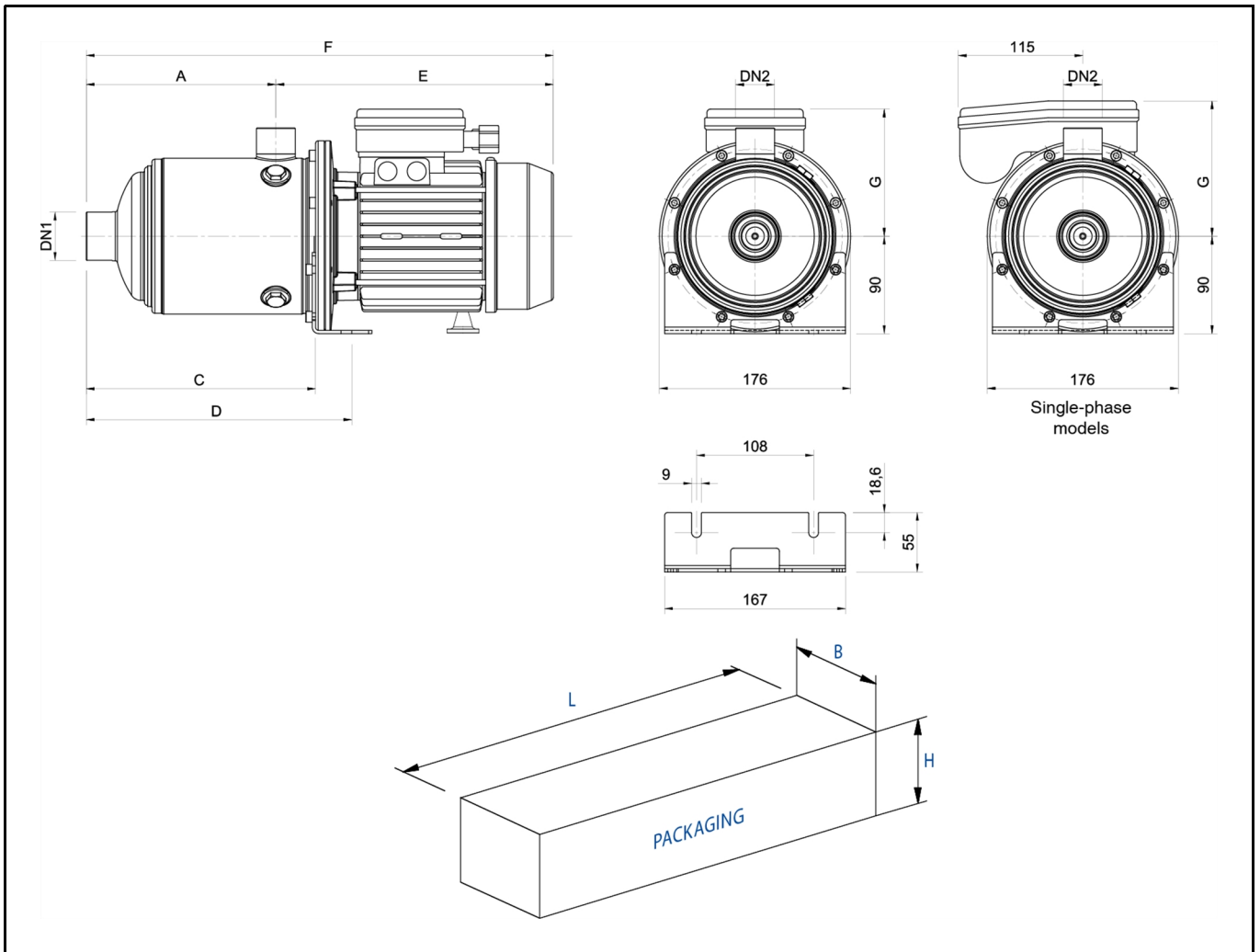
Capacitor:  $\mu\text{F}$   
Voltage: V

Index of protection:

# Performance



## Drawing



<b>A (mm)</b>	175
<b>E (mm)</b>	300
<b>C (mm)</b>	211,6
<b>D (mm)</b>	245
<b>F (mm)</b>	475
<b>G (mm)</b>	125
<b>DN1</b>	Rp 1"¼
<b>DN2</b>	Rp 1"
<b>L (mm)</b>	610
<b>B (mm)</b>	220
<b>H (mm)</b>	260