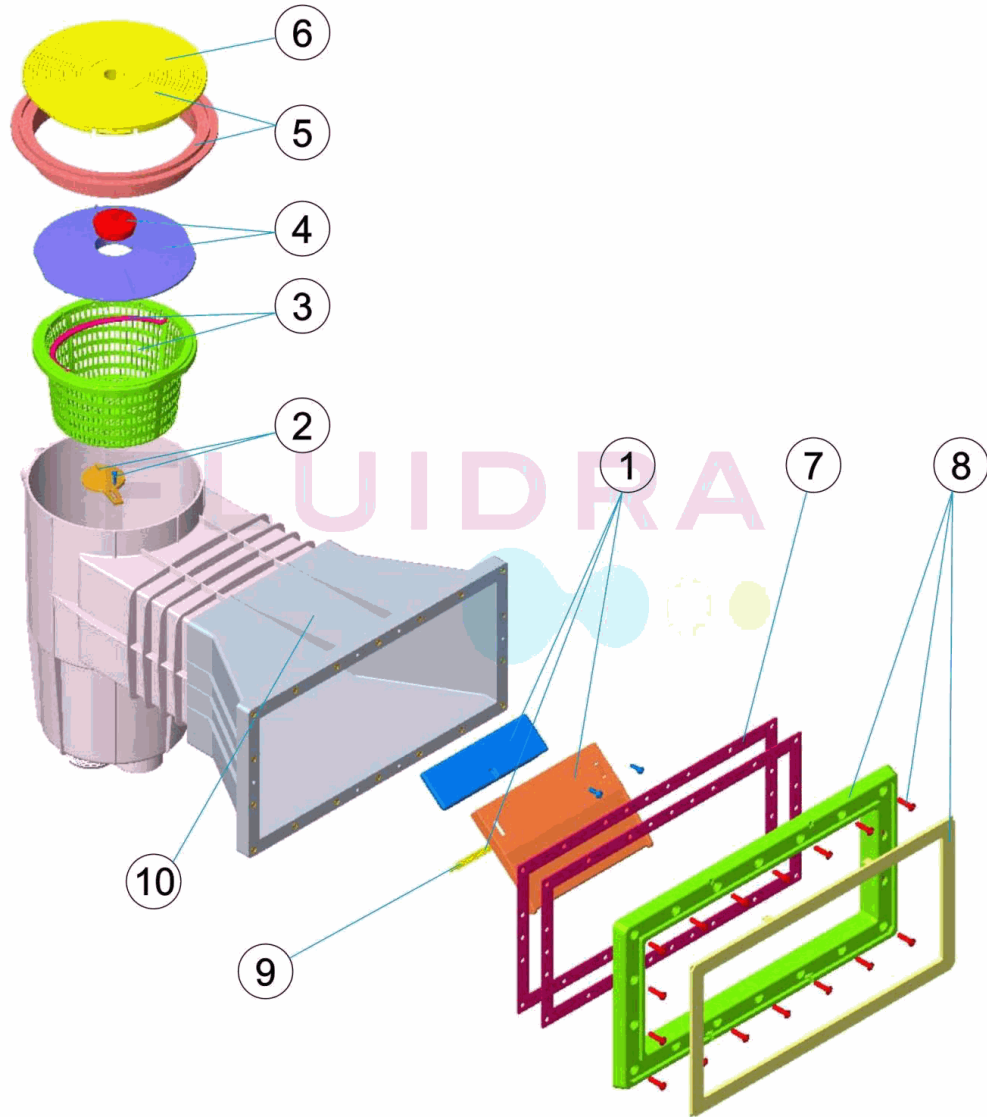


CODIGO **01463**

DESCRIPCION: **SKIMMER 15L PP. B.AMPLIACION T.CIRC.**

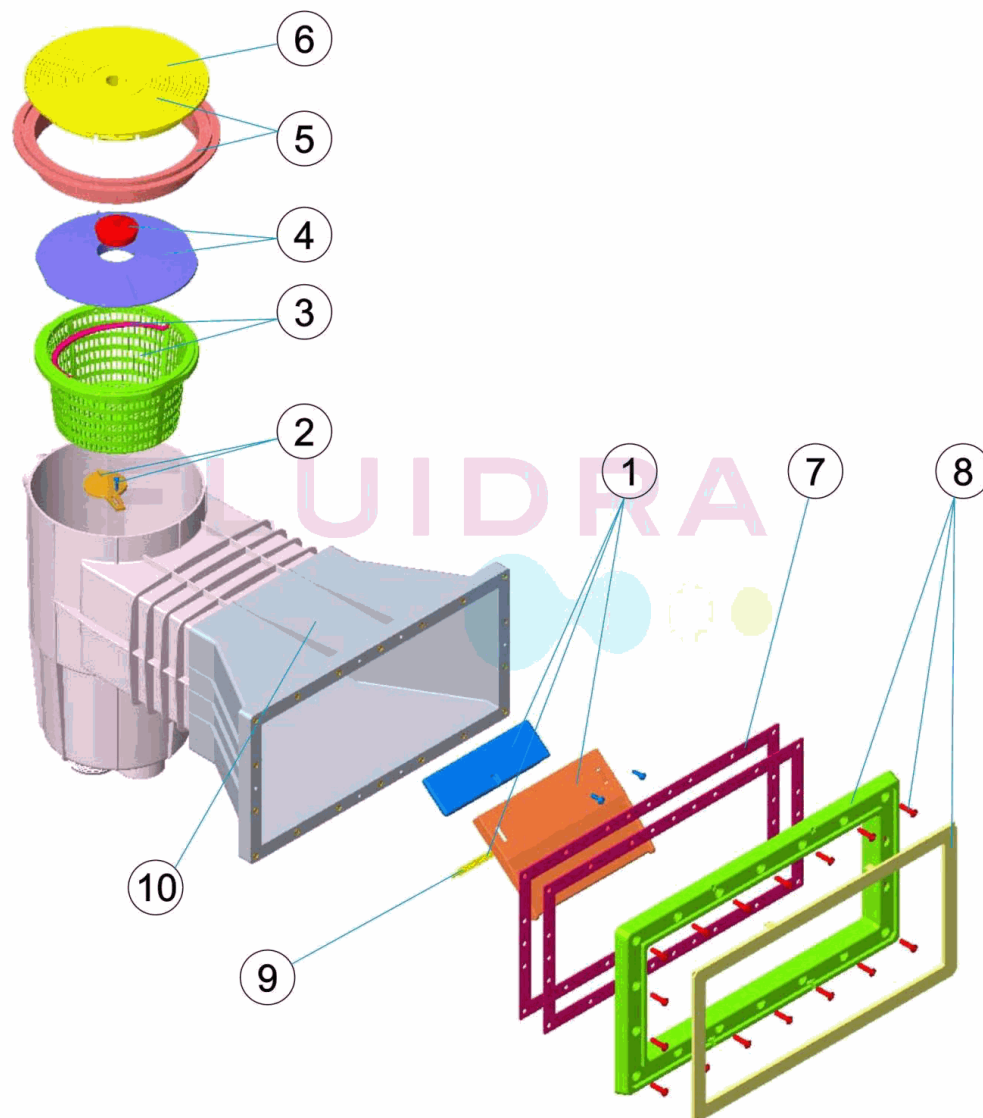


ESPAÑOL

POS	CODIGO	DESCRIPCION	POS	CODIGO	DESCRIPCION
1	4402010101	COMPUERTA SKIMMER BISAGRA	6	4402010108	TAPA CIRCULAR SKIMMER
2	4402010102	CLAPETA SKIMMER	7	4402010407	JUNTA SKIMMER GRANDE PISC. PREF.
3	4402010103	CESTO SKIMMER	8	4402010408	MARCO BOCA SKIMMER PISC. PREF.
4	4402010104	TAPA CESTO SKIMMER CON TAPON	9	4402010110	BISAGRA COMPUERTA
5	4402010105	TAPA Y ARO CIRCULAR SKIMMER	10	02211R2001	BOCA AMPLIACION

CODE **01463**

DESCRIPTION: **SKIMMER 15L PP. O.ÉLARGISSEMENT C.CIRC.**

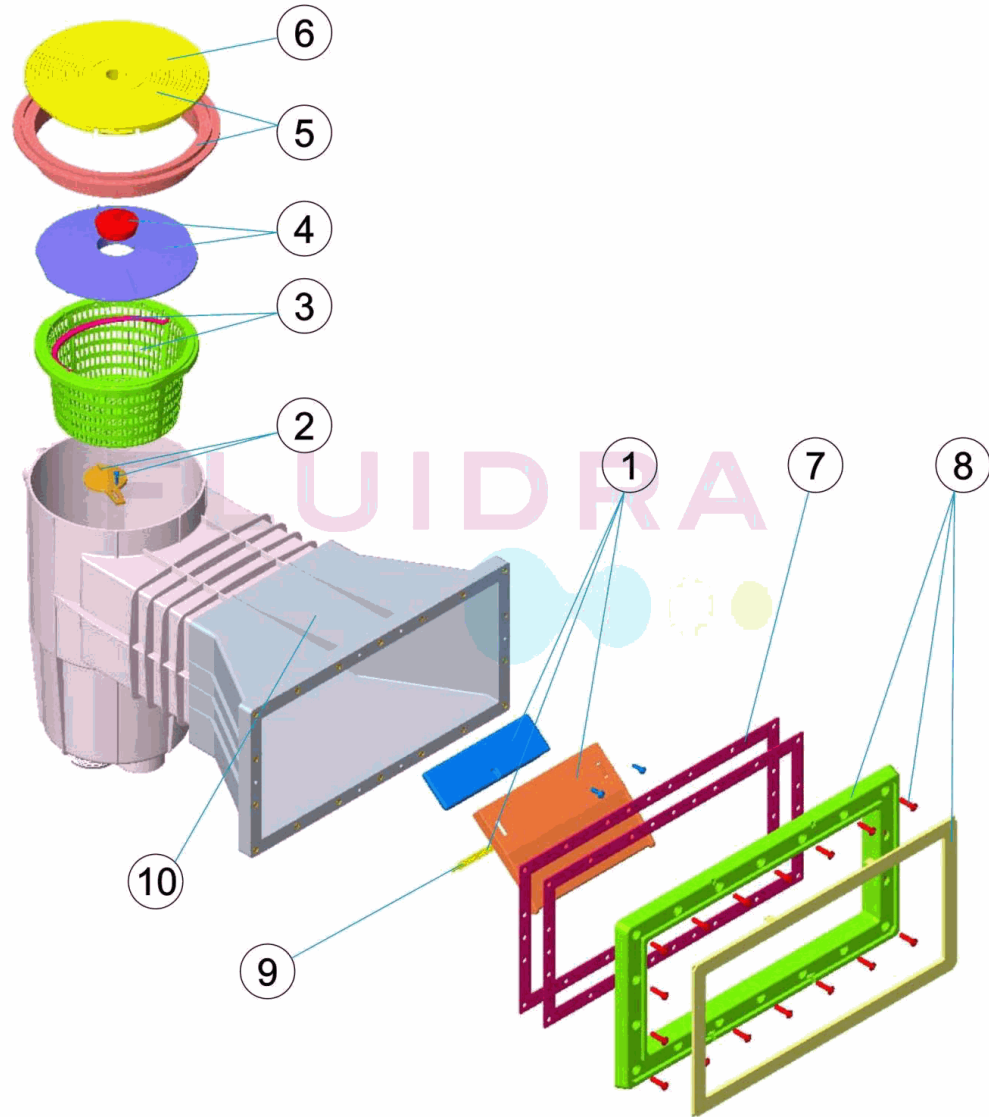


FRANCAIS

POS	CODE	DESCRIPTION	POS	CODE	DESCRIPTION
1	4402010101	VOLET ET CHARNIERE SKIMMER	6	4402010108	COUVERCLE ROND SKIMMER
2	4402010102	CLAPET SKIMMER	7	4402010407	JOINT SKIM GRAND MOD PISCINE LINER
3	4402010103	PANIER SKIMMER	8	4402010408	BRIDE ET CACHE VIS KIT LINER
4	4402010104	COUVERCLE PANIER SKIMMER AVEC BOUCHON	9	4402010110	CHARNIERE VOLET
5	4402010105	COUVERCLE ET CADRE ROND SKIMMER	10	02211R2001	MEURTRIÈRE

CODE **01463**

DESCRIPTION: **SKIMMER 15L PP B.EXTENSION CIRC. COVER**

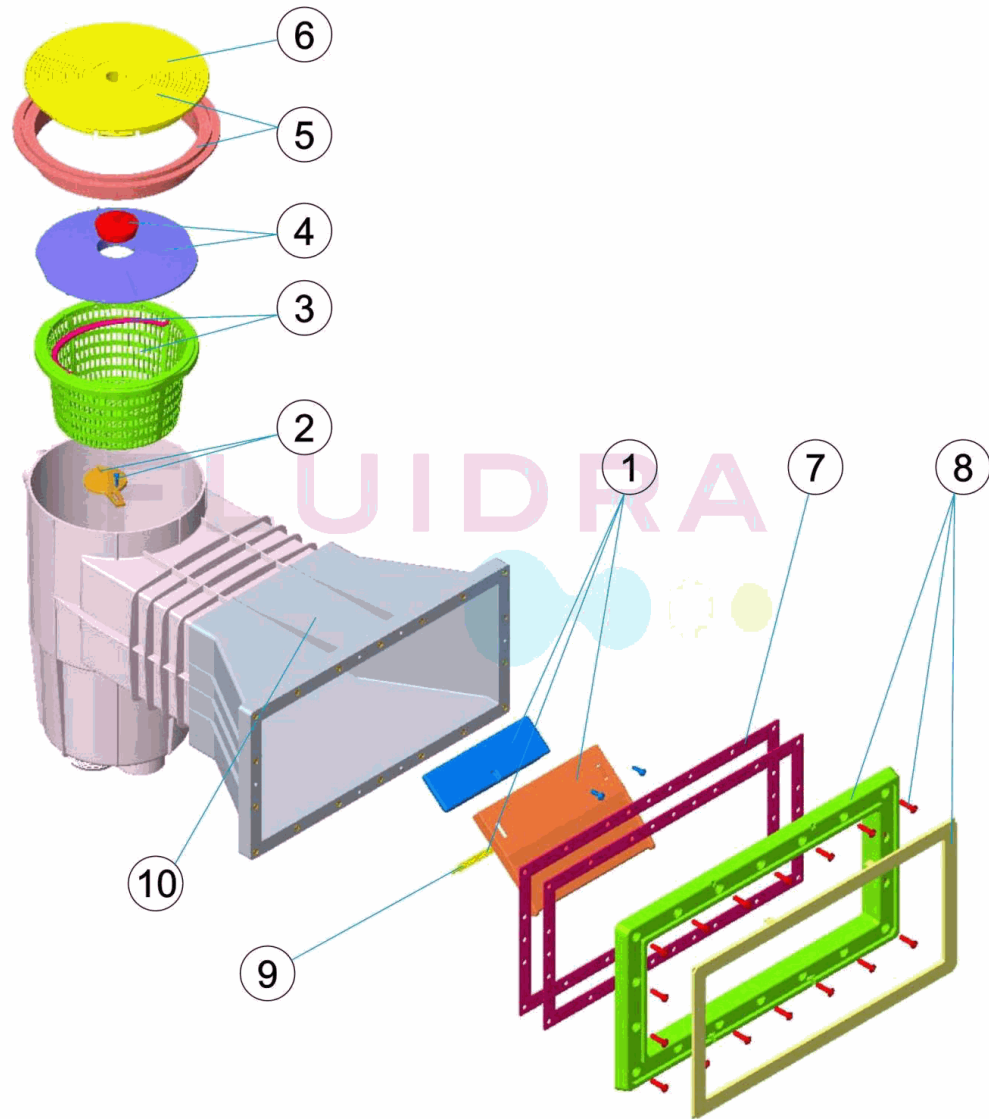


ENGLISH

POS	CODE	DESCRIPTION	POS	CODE	DESCRIPTION
1	4402010101	FLAP RETAINING CLIP	6	4402010108	CIRCULAR SKIMMER LID
2	4402010102	KEYHOLE FLAP	7	4402010407	LARGE SKIMMER GASKETS FOR LINER
3	4402010103	SKIMMER BASKET	8	4402010408	SKIMMER FRAME FOR LINER
4	4402010104	VACUUM PLATE WITH PLUG	9	4402010110	HINGE FLAP
5	4402010105	CIRCULAR LID AND LID FRAME	10	02211R2001	WIDE THROAT

CODE **01463**

BESCHREIBUNG: **SKIMMER 15L PP. EINLASS ERWEITERT ABDECKUNG RUND**

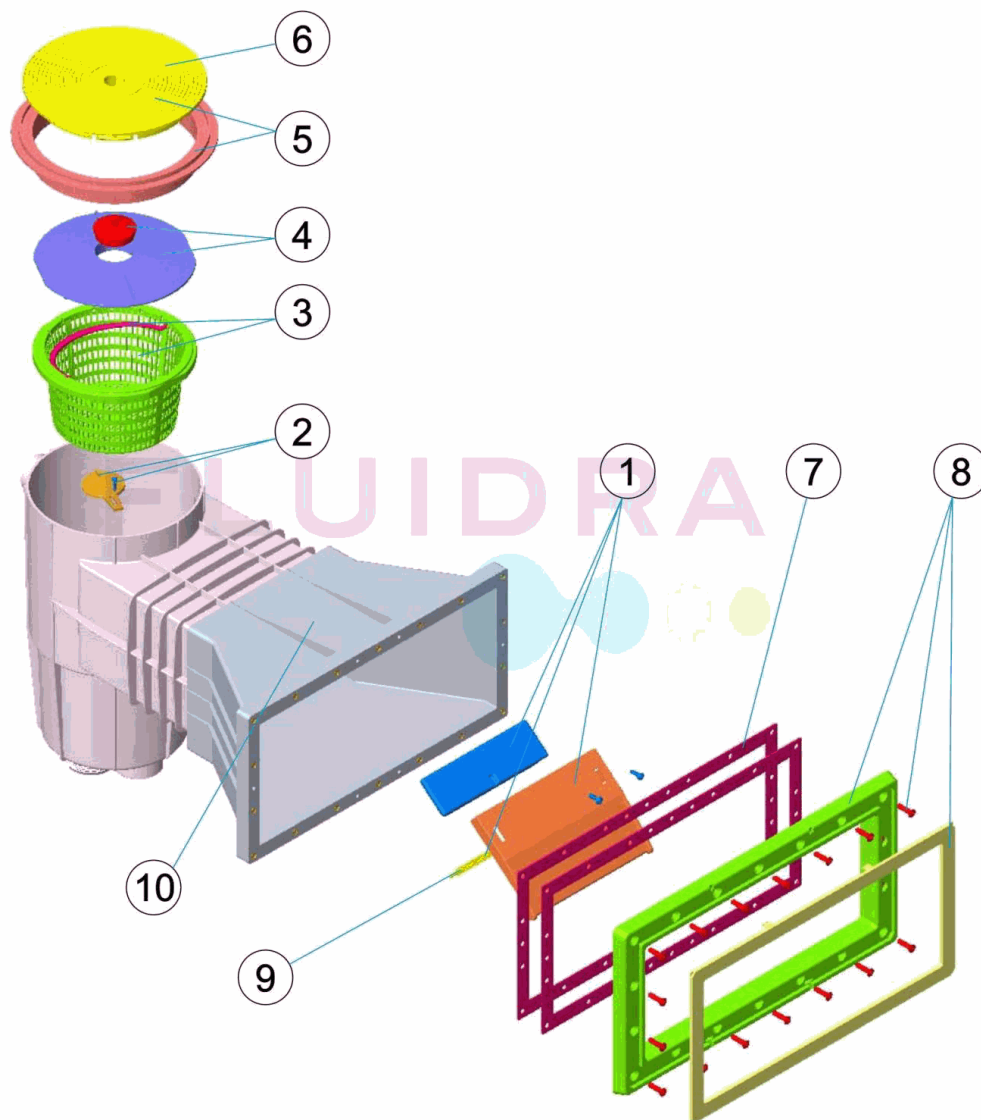


DEUTSCH

POS	CODE	BESCHREIBUNG	POS	CODE	BESCHREIBUNG
1	4402010101	SKIMMERKLAPPE SCHARNIER	6	4402010108	ABDECKUNG RUND SKIMMER
2	4402010102	SKIMMERKLAPPE	7	4402010407	DICHTUNG SKIMMER GROSS FERTIGBECKEN
3	4402010103	SKIMMERKORB	8	4402010408	RAHMEN SKIMMEREINLASS FERTIGBECKEN
4	4402010104	ABDECKUNG SKIMMKORB MIT STOPFEN	9	4402010110	SCHARNIER Klappe
5	4402010105	ABDECKUNG UND RING SKIMMER RUND	10	02211R2001	EINLASS ERWEITERT

CODIGO **01463**

DESCRIÇÃO: **SKIMMER 15 L PP. B. AMPLIAÇÃO T.CIRC.**



PORTUGUES

POS	CODIGO	DESCRIÇÃO	POS	CODIGO	DESCRIÇÃO
1	4402010101	COMPORTA SKIMMER BISAGRA	6	4402010108	TAMPA CIRCULAR SKIMMER
2	4402010102	CLAPETA SKIMMER	7	4402010407	JUNTA GRANDE DE SKIMMER
3	4402010103	CESTO SKIMMER	8	4402010408	CAIXILHO BOCA SKIMMER
4	4402010104	TAMPA CESTO SKIMMER	9	4402010110	DOBRADIÇA COMPORTA
5	4402010105	TAMPA E ARO CIRCULAR SKIMMER	10	02211R2001	BOCA DE AMPLIAÇÃO