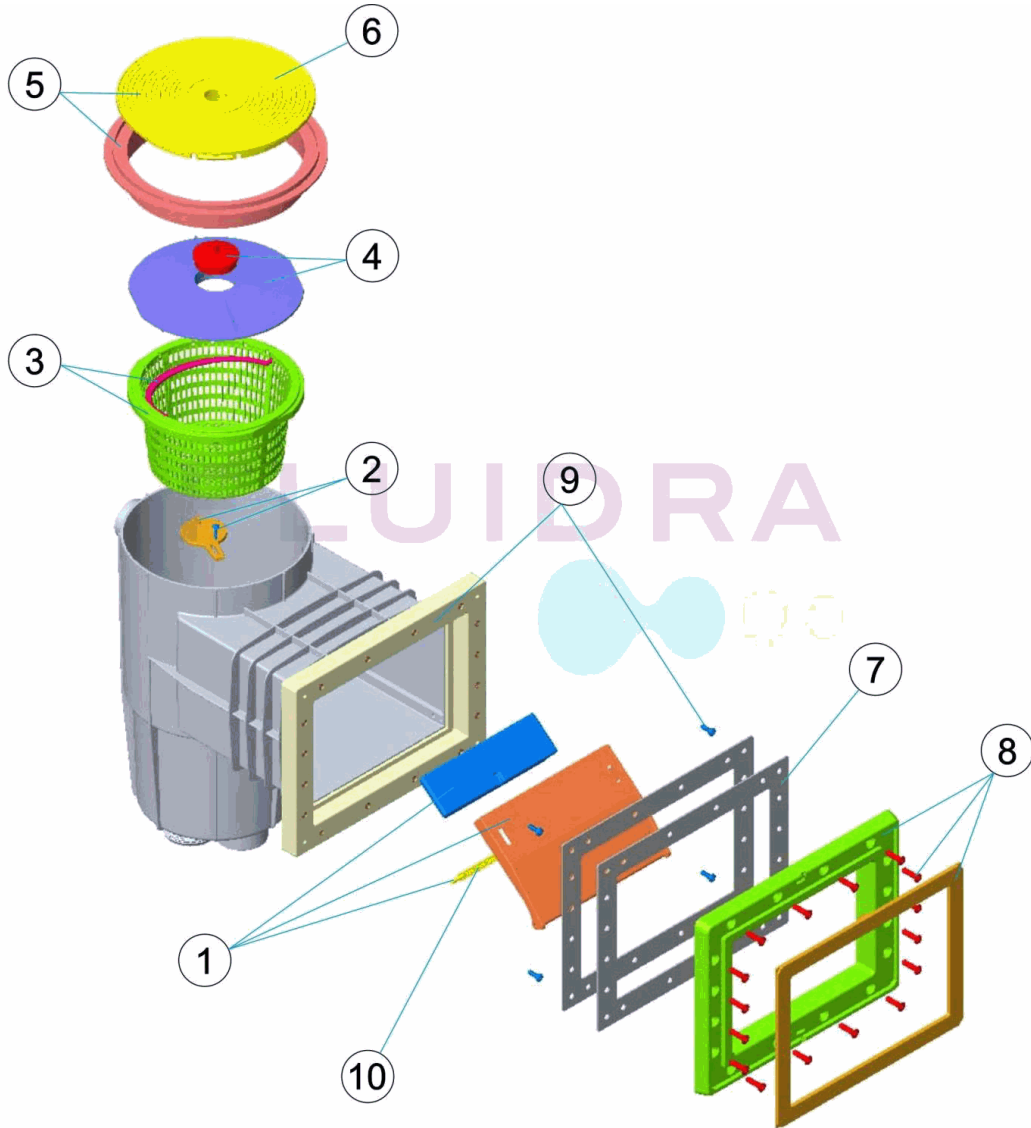


CODIGO **01461**

DESCRIPCION: **SKIMMER 15L PP B.STD. T. CIRC.**

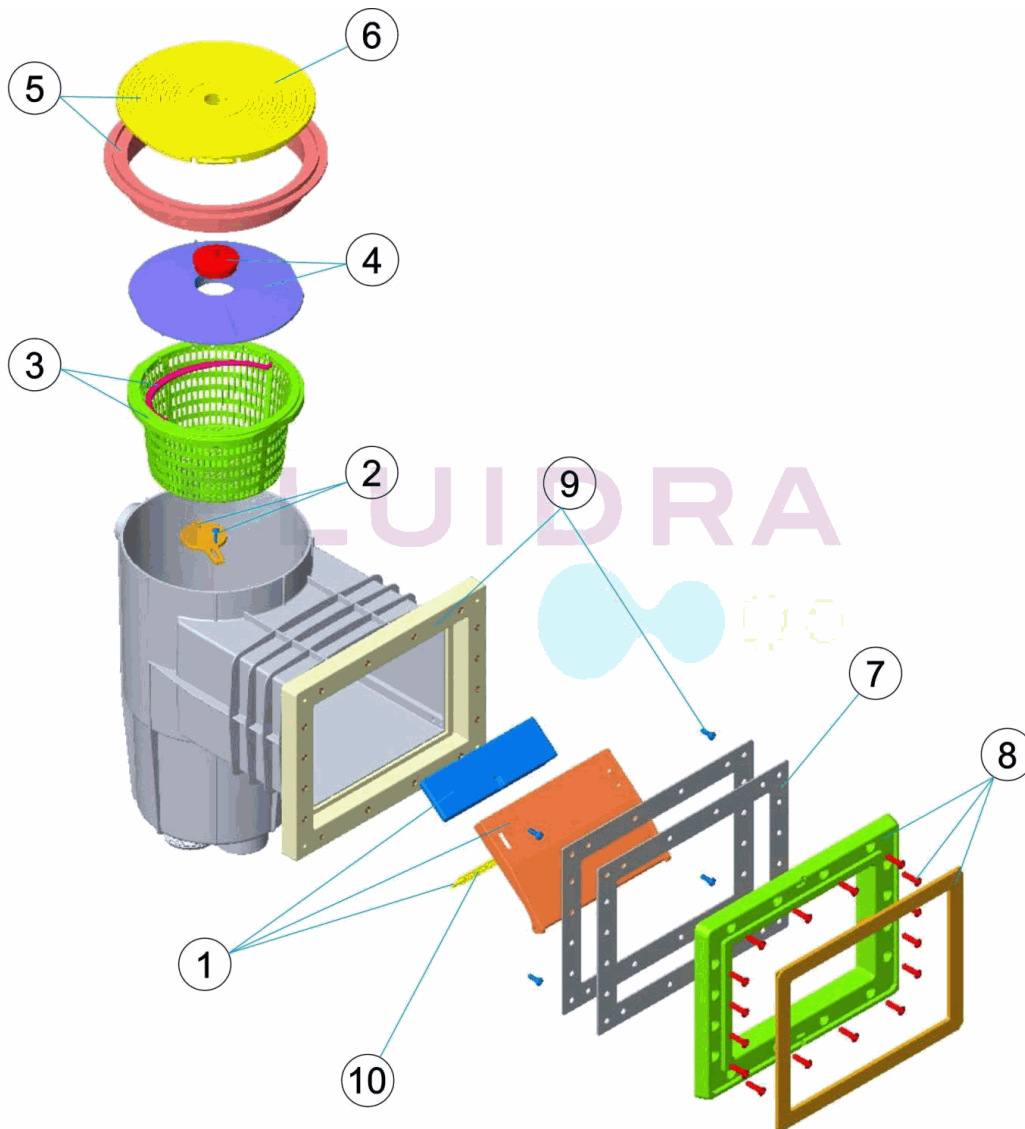


ESPAÑOL

POS	CODIGO	DESCRIPCION	POS	CODIGO	DESCRIPCION
1	4402010101	COMPUERTA SKIMMER BISAGRA	6	4402010108	TAPA CIRCULAR SKIMMER
2	4402010102	CLAPETA SKIMMER	7	4402010307	JUNTA SKIMMER PEQUEÑA PISC. PREF.
3	4402010103	CESTO SKIMMER	8	4402010308	MARCO PEQUEÑO SKIMMER
4	4402010104	TAPA CESTO SKIMMER CON TAPON	9	4402011113	MARCO ADAPTADOR BOCA
5	4402010105	TAPA Y ARO CIRCULAR SKIMMER	10	4402010110	BISAGRA COMPUERTA

CODE **01461**

DESCRIPTION: **SKIMMER 15L PP B.STD. C. CIRC.**

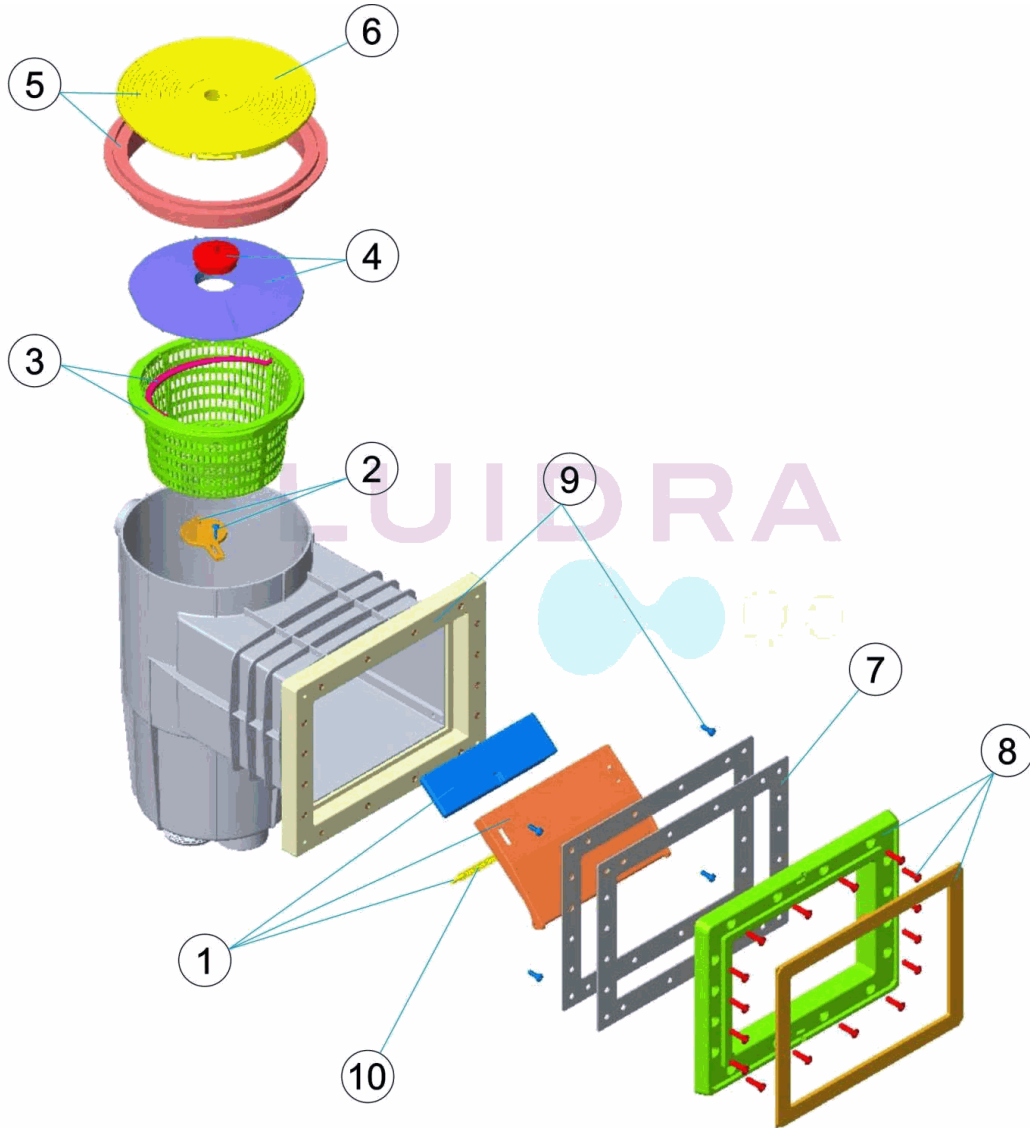


FRANCAIS

POS	CODE	DESCRIPTION	POS	CODE	DESCRIPTION
1	4402010101	VOLET ET CHARNIERE SKIMMER	6	4402010108	COUVERCLE ROND SKIMMER
2	4402010102	CLAPET SKIMMER	7	4402010307	JOINT SKIM PETIT MODELE PISCINE LINER
3	4402010103	PANIER SKIMMER	8	4402010308	BRIDE ET CACHE VIS KIT LINER
4	4402010104	COUVERCLE PANIER SKIMMER AVEC BOUCHON	9	4402011113	CADRE ADAPTEUR BOUCHE
5	4402010105	COUVERCLE ET CADRE ROND SKIMMER	10	4402010110	CHARNIERE VOLET

CODE **01461**

DESCRIPTION: **SKIMMER 15L PP B.STD. CIRC. COVER**

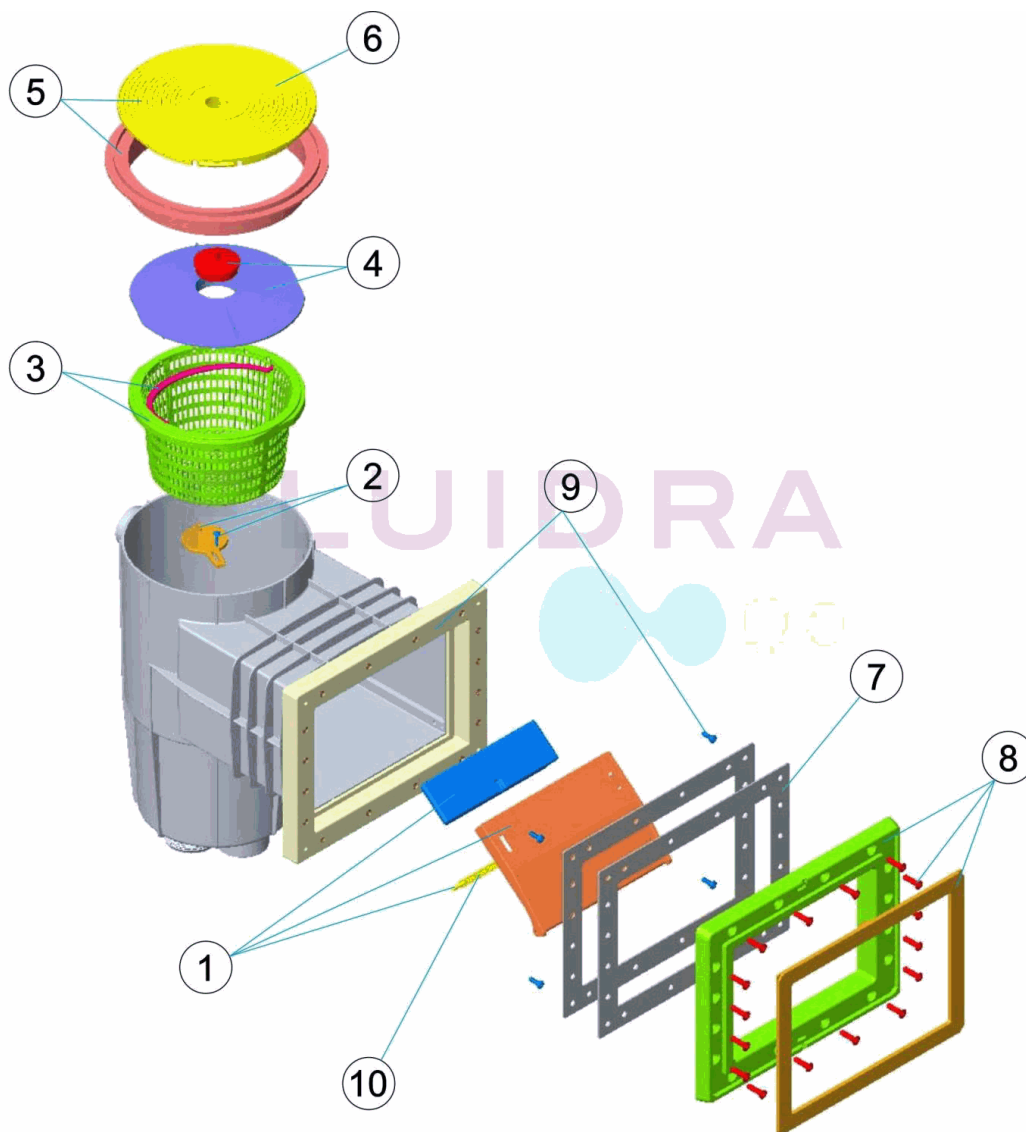


ENGLISH

POS	CODE	DESCRIPTION	POS	CODE	DESCRIPTION
1	4402010101	FLAP RETAINING CLIP	6	4402010108	CIRCULAR SKIMMER LID
2	4402010102	KEYHOLE FLAP	7	4402010307	SMALL SKIMMER GASKETS FOR LINER POOL
3	4402010103	SKIMMER BASKET	8	4402010308	SMALL SKIMMER FRAME
4	4402010104	VACUUM PLATE WITH PLUG	9	4402011113	ADAPTOR FRAME
5	4402010105	CIRCULAR LID AND LID FRAME	10	4402010110	HINGE FLAP

CODICE **01461**

DESCRIZIONE: **SKIMMER 15L PP B. STD. T. CIRC.**

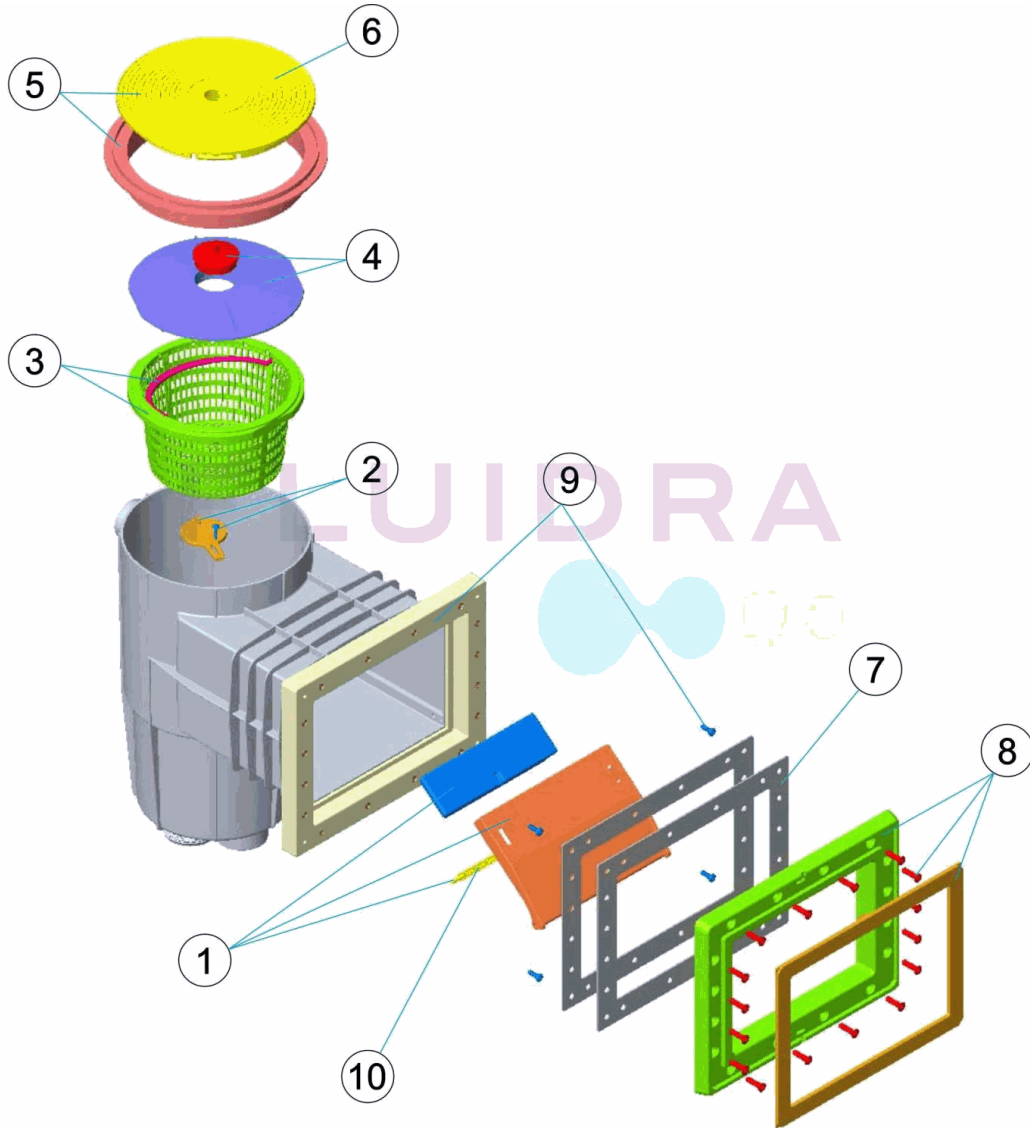


ITALIANO

POS	CODICE	DESCRIZIONE	POS	CODICE	DESCRIZIONE
1	4402010101	BATTENTE SKIMMER CON PERNO	6	4402010108	COPERCHIO TONDO SKIMMER
2	4402010102	ALETTA PARZIALIZZATRICE SKIMMER	7	4402010307	GUARNIZIONE PER SKIMMER BASE P.F.
3	4402010103	CESTELLO SKIMMER	8	4402010308	CORNICE PICCOLA SKIMMER
4	4402010104	COPERCHIO CESTELLO SKIMMER CON TAPPO	9	4402011113	FLANGIA ADATTATORE BOCA
5	4402010105	COPERCHIO E CORNICE TONDA SKIMMER	10	4402010110	CERNIERE BATTENTE

CODE **01461**

BESCHREIBUNG: **SKIMMER 15L PP EINLASS STANDARD ABDECKUNG RUND**

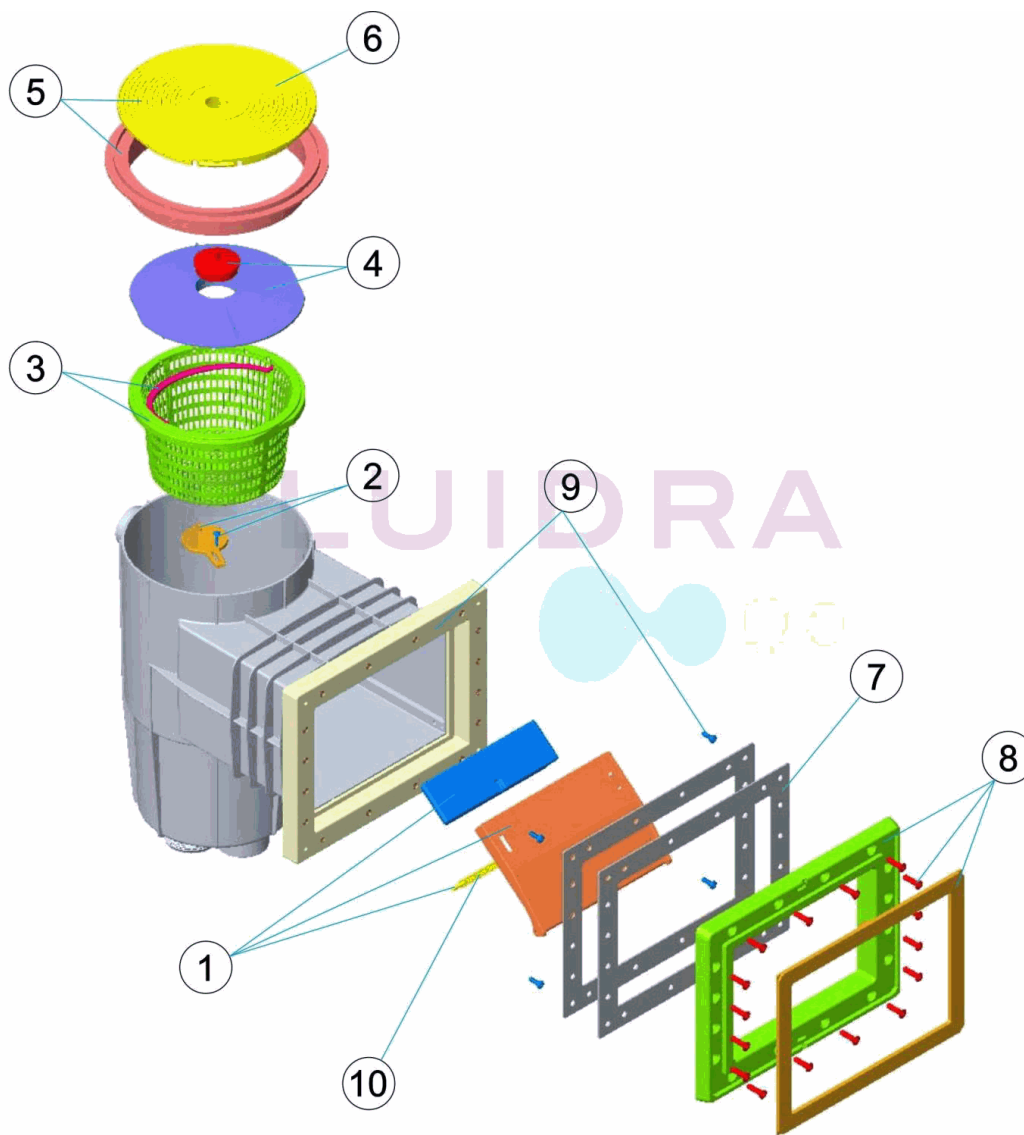


DEUTSCH

POS	CODE	BESCHREIBUNG	POS	CODE	BESCHREIBUNG
1	4402010101	SKIMMERKLAPPE SCHARNIER	6	4402010108	ABDECKUNG RUND SKIMMER
2	4402010102	SKIMMERKLAPPE	7	4402010307	DICHTUNG SKIMMER KLEIN FERTIGBECKEN
3	4402010103	SKIMMERKORB	8	4402010308	KLEINER SKIMMERRAHMEN
4	4402010104	ABDECKUNG SKIMMKORB MIT STOPFEN	9	4402011113	ADAPTERRAHMEN EINLASS
5	4402010105	ABDECKUNG UND RING SKIMMER RUND	10	4402010110	SCHARNIER Klappe

CODIGO 01461

DESCRIÇÃO: SKIMMER 15 L PP B.STD. T. CIRC.



PORTUGUES

POS	CODIGO	DESCRIÇÃO	POS	CODIGO	DESCRIÇÃO
1	4402010101	COMPORTA SKIMMER BISAGRA	6	4402010108	TAMPA CIRCULAR SKIMMER
2	4402010102	CLAPETA SKIMMER	7	4402010307	JUNTA PEQUENA DE SKIMMER
3	4402010103	CESTO SKIMMER	8	4402010308	ARO PEQUENO SKIMMER
4	4402010104	TAMPA CESTO SKIMMER	9	4402011113	CAIXILHO ADAPTADOR BOCA
5	4402010105	TAMPA E ARO CIRCULAR SKIMMER	10	4402010110	DOBRADIÇA COMPORTA