

Aquasphere SSP Pumps

75M / 100M / 150M

AQUA
SPHERE

PRODUCT DESCRIPTION

- Self-priming range of pumps for residential swimming pools.
- Including a 1.6 liters prefilter and D50 mm couplings.
- Single-phase motors, IP-X5 protection and insulation class F.
- Flow rate range from 12.5 to 19.5 m³/h at 10 m.c.w.

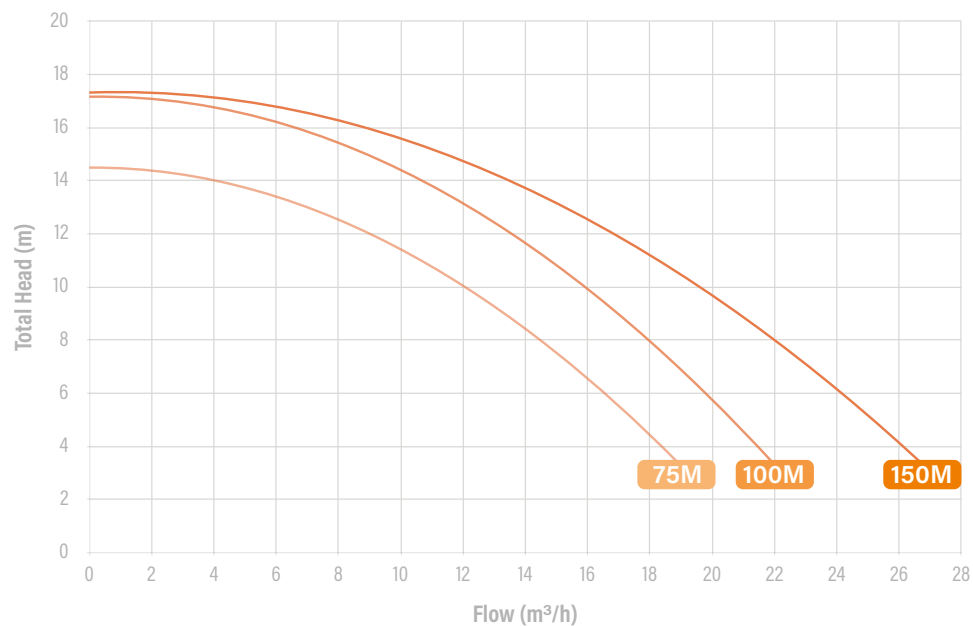


TECHNICAL DATA

Code	Model	Voltage	Nominal Flow at H _N	Nominal Head	Max. Head	Max. Flow Rate at 4m Head	Motor Rated Output	Max. Absorbed Power	Energy Class
		U _N (V)	Q _N (m ³ /h)	H _N (m)	H _{MAX} (m)	Q _{MAX} (m ³ /h)	P _{2N} (kW)	P _{1MAX} (kW)	EN17645
75939	75M	230*	12.5	10	14.7	18.5	0.55	0.9	D
75940	100M	230*	16	10	17.1	21.7	0.75	1.2	D
75941	150M	230*	19.5	10	17.3	26.3	1.10	1.4	D

* ± 10%

PERFORMANCE

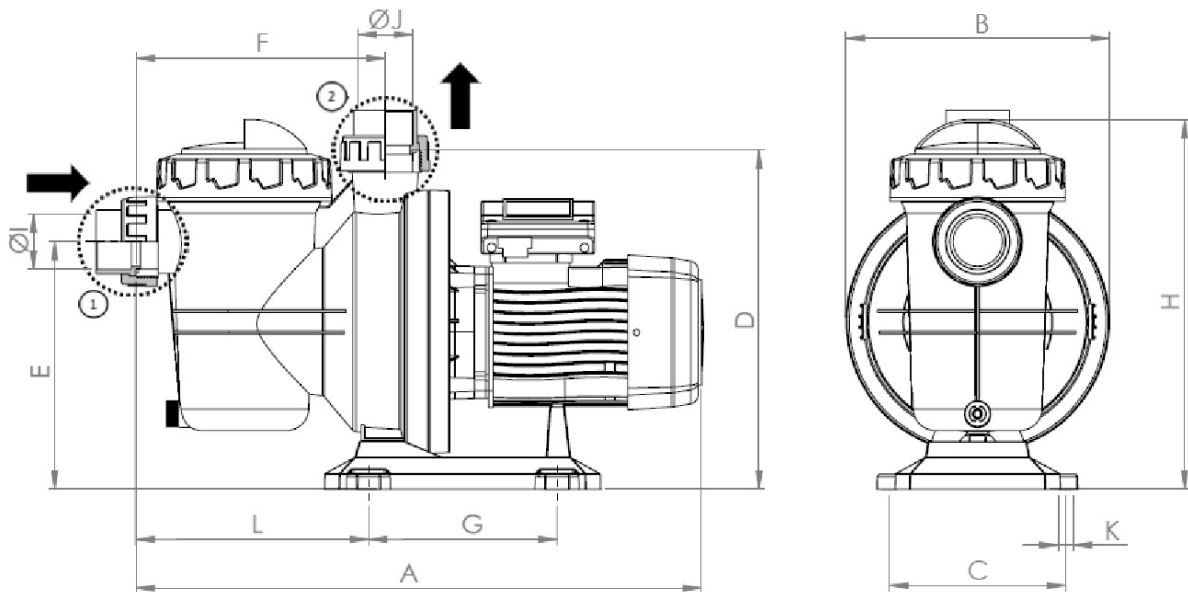


Aquasphere SSP Pumps

75M / 100M / 150M

AQUA
SPHERE

DIMENSIONS & LOGISTICS



Code	Product dimensions (mm)												Packaging	
	A	B	C	D	E	F	G	H	I	J	K	L	Kg	m ³
75939	514	238	160	307	226	223	170	330	Ø50	Ø50	4u x Ø10	209	9.3	0.054
75940	514	238	160	307	226	223	170	330	Ø50	Ø50	4u x Ø10	209	10.4	0.054
75941	532	238	160	307	226	223	170	330	Ø50	Ø50	4u x Ø10	209	11.8	0.056