

# DIVERTEK

SUBMERSIBLE MULTI-IMPELLER PUMPS







### TECHNICAL DATA

**Flow rate:** from 1 m<sup>3</sup>/h to 6,3 m<sup>3</sup>/h (500 version)  
from 1 m<sup>3</sup>/h to 6 m<sup>3</sup>/h (650 version)  
from 1 m<sup>3</sup>/h to 6,3 m<sup>3</sup>/h (900 version)

**Head up to:** 45 m (900 version)  
30 m (650 version)  
25 m (500 version)

**Maximum immersion depth:** 12 m

**Type of pumped liquid:** clean, free from solid or abrasive substances, non-viscous, non-aggressive, non-crystallized and chemically neutral

**Liquid temperature range:** from 0°C to +40°C

**Maximum operation depth:** 15

**Flanges, thread:** 1" (supplied as standard with a four-section fitting-reducer)

**Pump maximum diameter:** 160 mm

**Impeller/s material:** technopolymer

**Maximum number of starts:** 20/h

**Protection class:** IP 68

**Motor insulation class:** F

**Single phase power input:** 230 V 50 Hz

**Power cable (m) and plug:** 15 m H07RNF with power plug

**Possible type of installation:** fixed or movable in vertical position

**Special versions on request:** cable of different light, different type of power plug

Submersible multi-impeller pump for clean water, designed for pressurization, rainwater reuse, gardening and irrigation in residential building service. Multi-impeller pump with built-in non-return valve and debris filter. There are versions with 2 or 3 impellers, automatic or manual. The pump has been renewed to further increase its reliability and ergonomics in transport (the handle has been entirely redesigned). Quick access to the capacitor compartment. A four-section fitting-reducer is supplied as standard.

### CONSTRUCTION FEATURES OF THE PUMP

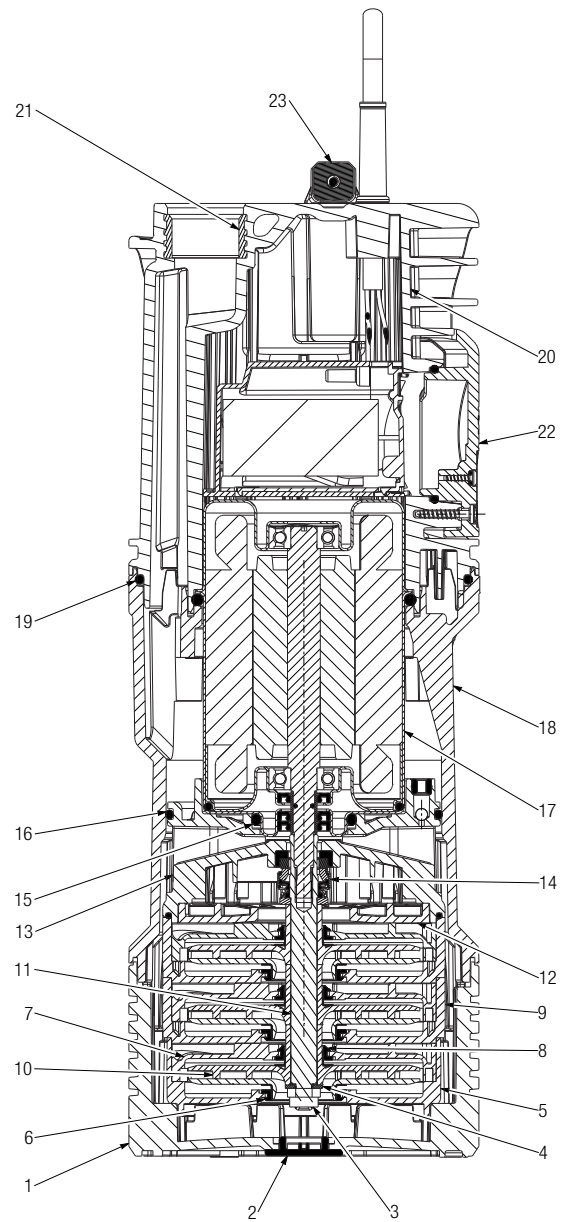
Pump body and impellers in technopolymer to resist corrosion and oxidation. Technopolymer anti-debris filter. Automatic version equipped with float switch for protection against dry running. Removable non-return valve.

### CONSTRUCTION FEATURES OF THE MOTOR

Submersible asynchronous motor. Motor shaft in stainless steel AISI 416 + AISI 304. Integrated starting capacitor and integrated thermal protection against overheating of the motor. 15 meter power cable with plug included.

### MATERIALS

N°	PARTS		MATERIALS
1	BASE		TECHNOPOLYMER
2	INSPECTION CAP		EPDM
3	NUT		SS A2
4	WASHER		SS A2
5	FIRST STAGE CASE		TECHNOPOLYMER
6	FRONT FLOATING RING		TECHNOPOLYMER
7	DIFFUSER		TECHNOPOLYMER
8	BACK FLOATING RING		TECHNOPOLYMER
9	STAGE CASE		TECHNOPOLYMER
10	IMPELLER		TECHNOPOLYMER/SS AISI 304
11	SHAFT		SS AISI 303
12	FINAL DIFFUSER CAP		TECHNOPOLYMER
13	MOTOR FLANGE		TECHNOPOLYMER
14	MECHANICAL SEAL		CARBON-IMPREGNATED RESIN/ CERAMIC/NBR
15	OR GASKET		EPDM
16	OR GASKET		EPDM
17	MOTOR	CAP	SS AISI 304
		MOTOR SHAFT	SS AISI 416
18	BODY		TECHNOPOLYMER
19	OR GASKET		EPDM
20	COVER		TECHNOPOLYMER
21	INSERT		BRASS
22	CAPACITOR COMPARTMENT COVER		TECHNOPOLYMER
23	HANDLE		TECHNOPOLYMER

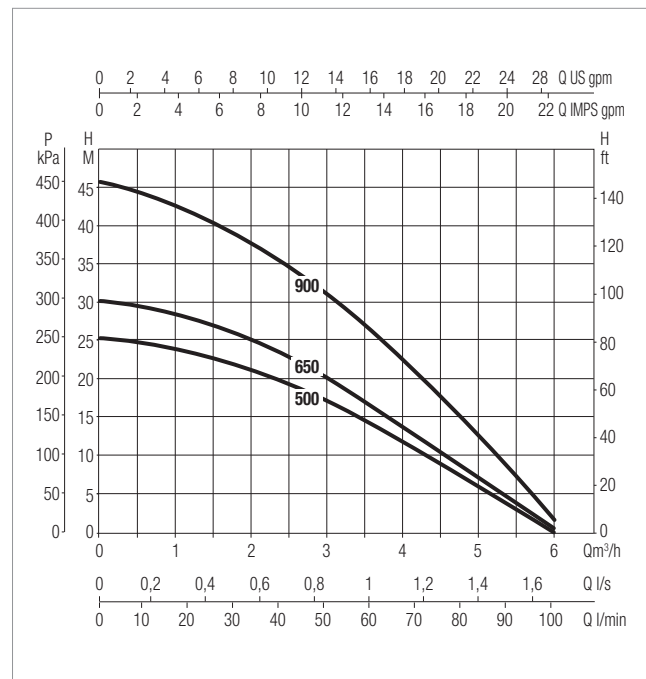
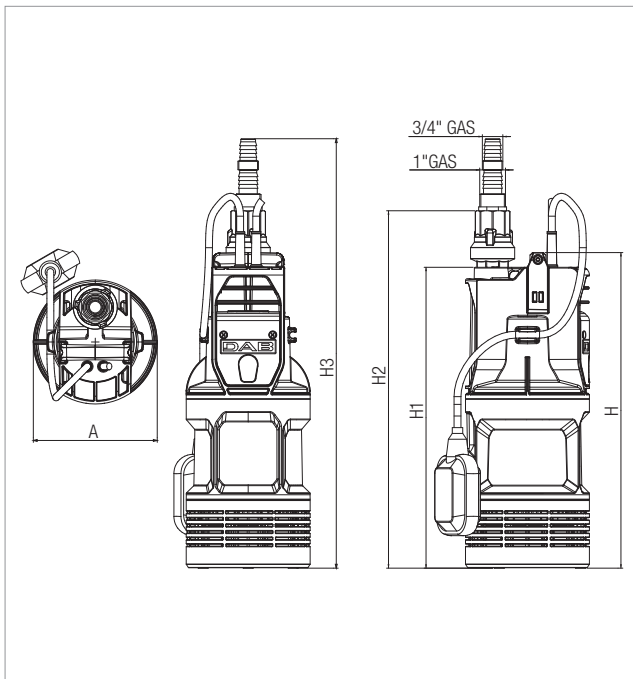


### PERFORMANCE AT 50 HZ

MODEL	HYDRAULIC DATA									
	Q=m³/h	0	1,2	1,8	2,4	3	3,6	4,2	4,8	
	Q=l/min	0	20	30	40	50	60	70	80	
DIVERTEK 900	H (m)	46,4	42,7	40,1	36,8	32,5	27,3	21,5	15,2	
DIVERTEK 650		30,4	28,5	27	24	21	17	13	8,5	
DIVERTEK 500		25,6	24,4	22,9	20,7	18	14,9	11,6	7,8	

### ELECTRICAL DATA AND DIMENSIONS

MODEL	ELECTRICAL DATA							DIMENSIONS							PACKING VOLUME dm <sup>3</sup>	Q.TY X PALLET	WEIGHT Kg	
	POWER INPUT 50 Hz	P1 W	P2 NOMINAL		In A	CAPACITOR		A	H	H1	H2	H3	PACKING DIMENSIONS					
			kW	HP		μF	V						L/A	L/B				H
<b>DIVERTEK 900</b>	1 x 220-240 V ~	920	0,56	0,75	4,2	12,5	450	Ø 160	455	436	509	602	226	186	484	20,3	40	10,6
<b>DIVERTEK 650</b>	1 x 220-240 V ~	630	0,42	0,56	2,9	8	450	Ø 160	408	389	462	555	226	186	484	20,3	40	9,1
<b>DIVERTEK 500</b>	1 x 220-240 V ~	530	0,34	0,46	2,5	8	450	Ø 160	408	389	462	555	226	186	484	20,3	40	9,1



The performance curves are based on kinematic viscosity values = 1 mm<sup>2</sup>/s and density equivalent to 1000 kg/m<sup>3</sup>. Curve tolerance according to ISO 9906.

---

# NOTE

A large grid of graph paper for taking notes, consisting of 20 columns and 40 rows of small squares.



# DWA

PUMPS SELECTOR

## On-line selection tool



**DAB PUMPS LTD.**

6 Gilbert Court  
Newcomen Way  
Severalls Business Park  
Colchester  
Essex  
CO4 9WN - UK  
salesuk@dwtgroup.com  
Tel. +44 0333 777 5010



**DAB PUMPS IBERICA S.L.**

Calle Verano 18-20-22  
28850 - Torrejón de Ardoz - Madrid  
Spain  
Info.spain@dwtgroup.com  
Tel. +34 91 6569545  
Fax: + 34 91 6569676



**DAB PUMPS SOUTH AFRICA (PTY) LTD**

Twenty One industrial Estate,  
16 Purlin Street, Unit B, Warehouse 4  
Olifantsfontein - 1666 - South Africa  
info.sa@dwtgroup.com  
Tel. +27 12 361 3997



**DAB PUMPS BV**

\*tHofveld 6 C1  
1702 Groot Bijgaarden - Belgium  
info.belgium@dwtgroup.com  
Tel. +32 2 4668353



**DAB PUMPS HUNGARY KFT.**

H-8800  
Nagykanizsa, Buda Ernő u.5  
Hungary  
Tel. +36 93501700



**DAB PUMPS (QINGDAO) CO. LTD.**

No.40 Kaituo Road, Qingdao Economic & Technological  
Development Zone  
Qingdao City, Shandong Province - China  
PC: 266500  
sales.cn@dwtgroup.com  
Tel. +86 400 186 8280  
Fax +86 53286812210



**DAB PUMPS B.V.**

Albert Einsteinweg, 4  
5151 DL Drunen - Nederland  
info.netherlands@dwtgroup.com  
Tel. +31 416 387280  
Fax +31 416 387299



**DAB PUMPS POLAND Sp. z o.o.**

Ul. Janka Muzykanta 60  
02-188 Warszawa - Poland  
polska@dabpumps.com.pl



**DAB PUMPS DE MÉXICO, S.A. DE C.V.**

Av Amsterdam 101 Local 4  
Col. Hipódromo Condesa,  
Del. Cuauhtémoc CP 06170  
Ciudad de México  
Tel. +52 55 6719 0493



**OOO DAB PUMPS**

Novgorodskaya str. 1, block G  
office 308, 127247, Moscow - Russia  
info.russia@dwtgroup.com  
Tel. +7 495 122 0035  
Fax +7 495 122 0036



**DAB PUMPS OCEANIA PTY LTD**

426 South Gippsland Hwy,  
Dandenong South VIC 3175 - Australia  
info.oceania@dwtgroup.com  
Tel. +61 1300 378 677



**DAB PUMPS GMBH**

Am Nordpark 3  
D - 41069 Mönchengladbach - Germany  
info.germany@dwtgroup.com  
Tel. +49 2161 47388-0  
Fax +49 2161 47388-36



**DAB PUMPS INC.**

3226 Benchmark Drive  
Ladson, SC 29456 - USA  
info.usa@dwtgroup.com  
Tel. 1- 843-797-5002  
Fax 1-843-797-3366



**PT DAB PUMPS INDONESIA**

Satrio Tower lantai 26  
unit C-D, Jl. Prof. Dr. Satrio Kav. C4,  
Kel. Kuningan Timur, Kec. Setiabudi, Kota Adm.  
Jakarta Selatan, Prov. DKI Jakarta. - Indonesia  
Tel. +62 2129222850