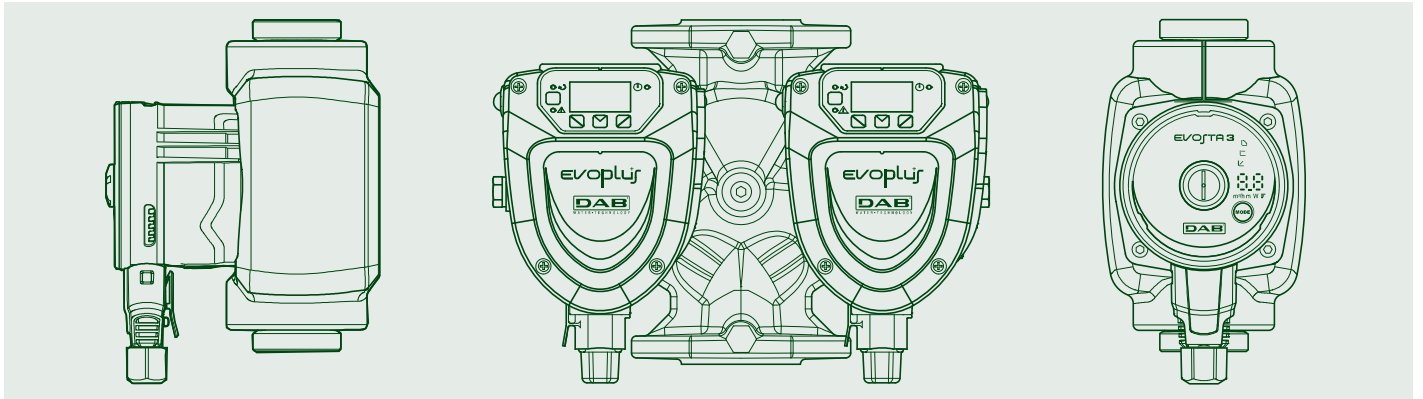


**ErP**  
ready

# CIRCULATORS



# TECHNICAL CATALOGUE

# EVOSTA 3

## WET ROTOR ELECTRONIC CIRCULATORS



### TECHNICAL DATA

**Operating range:** 0,4-4,2 m<sup>3</sup>/h with head up to 8+ metres.  
**Pumped liquid temperature range:** from -10 °C to +110°C  
**Working pressure:** 10 bar (1000 kPa)  
**Protection class:** IPX5  
**Insulation class:** F  
**Installation:** with horizontal motor axis.  
**Standard power input:** single-phase 1x230 V~ 50/60 Hz  
**Pumped liquid:** Clean, free of solids and mineral oils, non-viscous, chemically neutral, with properties similar to water (glycol max 30%).

### APPLICATIONS

Low energy consumption electronic pump for water circulation in all types of domestic heating and cooling systems.

### ADVANTAGES

The new range of **EVOSTA 3** circulators by DAB combines the strength of a mechanical circulator with the benefits of the electronic circulator. Thanks to the permanent magnet synchronous motor, the frequency converter and the energy efficiency of  $EEL \leq 0,19$ , as well as the protection class IPX5 and the integrated bleeding plug, the **EVOSTA 3** family ranks as one of the best products in the category in terms of performance and reliability. The range of **EVOSTA 3** circulators is the perfect replacement for old three-speed circulators due to its compact size and all-round performance. The product is also extremely user-friendly, with a single button for sequential setting and direct access to the motor shaft for unlocking it when necessary.

**EVOSTA 3** version has a display showing the instantaneous flow rate, the instantaneous head and the instantaneous power consumption in Watts.

**EVOSTA 3** version also offers the new function of automatic degassing.

### CONSTRUCTION FEATURES

Cast iron pump body with cathodolysis paint coating and wet rotor motor. Steel motor casing, technopolymer impeller. Ceramic motor shaft on ceramic bushings lubricated by the pumped liquid. Stainless steel rotor liner, stator liner and closing flange. Graphite thrust ring.

EPDM seal ring and brass bleeding plug.

Thanks to the internal protection of the motor, the pump does not require any overload protection.

### CONTROL PANEL

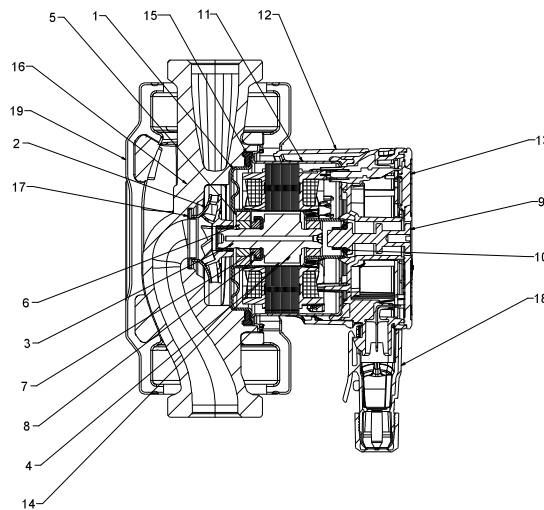
The settings of the **EVOSTA 2**, **EVOSTA 3** circulators can be modified in the control panel on the face of the pump device. The pumps have nine settings that can be selected scrolling the **MODE** button. Three LED lights on the face show the current setting.

**EVOSTA 3** circulator has a display showing the following data:

- Head of the selected curve
- Instantaneous power consumption in Watts.
- Instantaneous head in m
- Instantaneous flow rate in m<sup>3</sup>/h

### MATERIALS

N°	PARTS	MATERIALS
1	ROTOR CAN FLANGE	AISI 316
2	IMPELLER	ULTRASON
3	SHAFT	ALLUMINA
4	ROTOR	Fe
5	BEARING HOUSING	BRASS
6	BEARING	ALLUMINA
7	AXIAL BEARING	GRAPHITE
8	AXIAL HOUSING	EPDM
9	PLUG	BRASS
10	O-RING	EPDM
11	STATOR HOUSING	AISI 304
12	ENCLOSURE SHELL	POLYCARBONATE
13	ENCLOSURE	POLYCARBONATE
14	ROTOR SLEEVE	AISI 304
15	SEAL	EPDM
16	PUMP HOUSING	CAST IRON
17	NECK RING	AISI 304
18	CONNECTOR	POLYCARBONATE
19	INSULATION SHELL	PPE



### REGULATION MODES

PROPORTIONAL PRESSURE REGULATION MODE

PP1
PP2
PP3

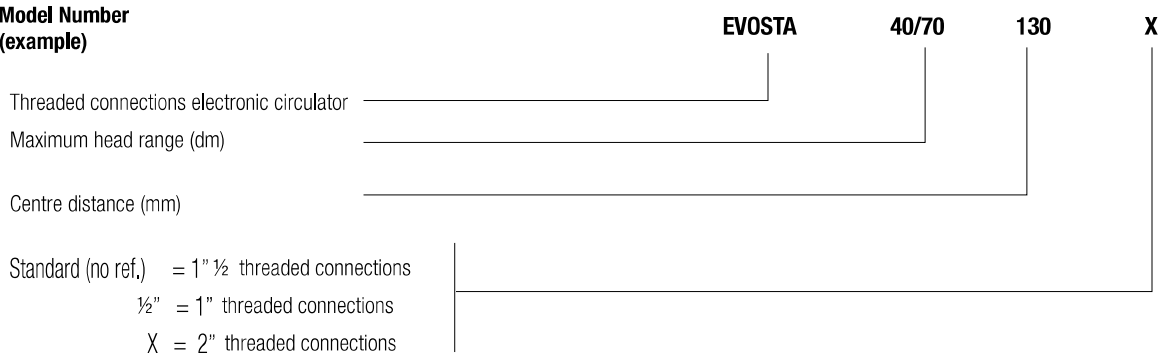
CONSTANT PRESSURE REGULATION MODE

CP1
CP2
CP3

FIXED CURVE REGULATION MODE

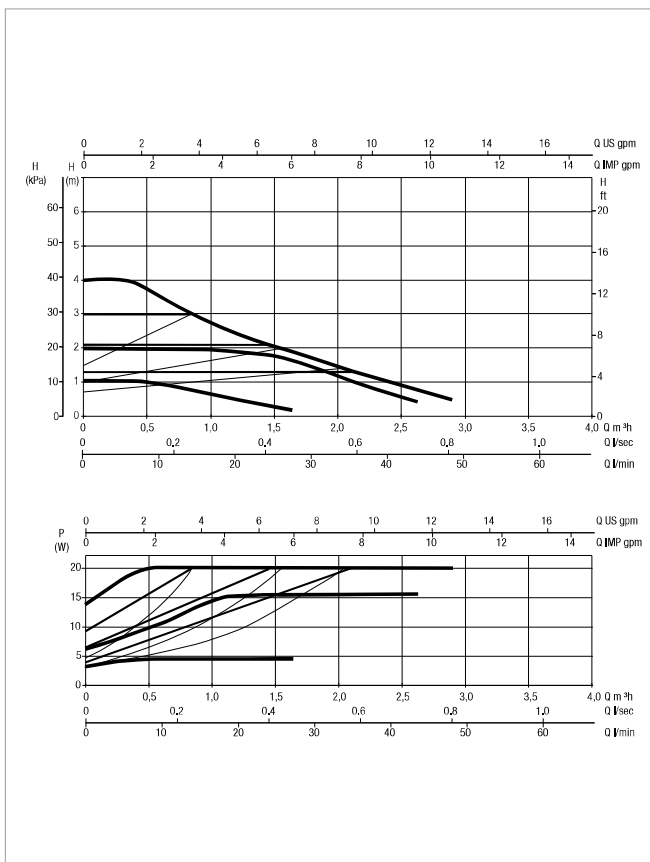
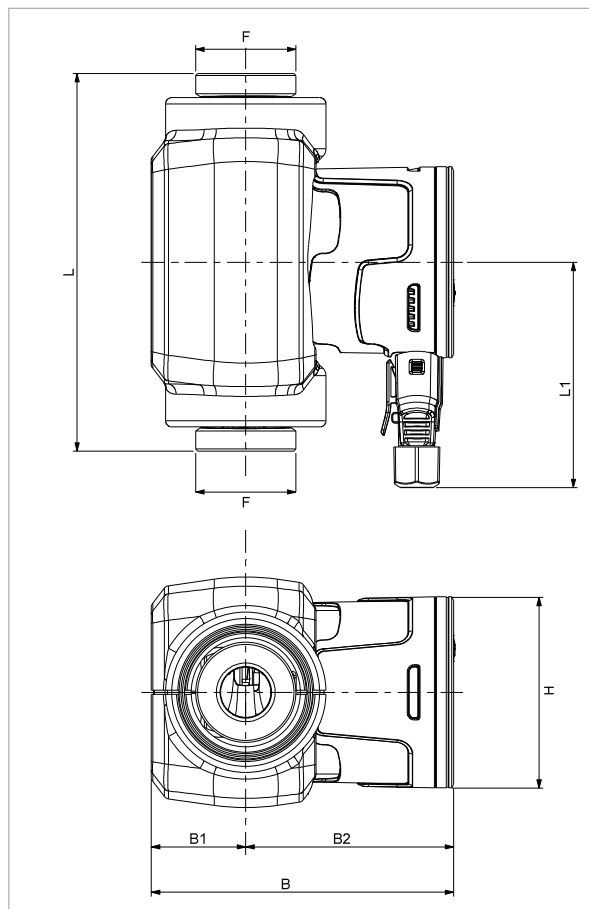
I
II
III

### Model Number (example)



## EVOSTA 3 - WET ROTOR ELECTRONIC CIRCULATORS

Pumped liquid temperature range: from -10 °C to +110 °C - Maximum operating pressure: 10 bar (1000 kPa)



The performance curves are based on kinematic viscosity values = 1 mm²/s and density equal to 1000 kg/m³. Curve tolerance according to ISO 9906.

MODEL	Q=m³h	0	0,4	0,6	0,9	1,2	1,8	2,1	2,9
	Q=l/min	0	6	10	15	20	30	35	48
EVOSTA 3 40/130 (1")	H (m)	4,0	4,0	3,5	2,9	2,5	1,7	1,3	0,5
EVOSTA 3 40/130 (1/2")		4,0	4,0	3,5	2,9	2,5	1,7	1,3	0,5
EVOSTA 3 40/180 (1")		4,0	4,0	3,5	2,9	2,5	1,7	1,3	0,5
EVOSTA 3 40/180 X (1" 1/4)		4,0	4,0	3,5	2,9	2,5	1,7	1,3	0,5

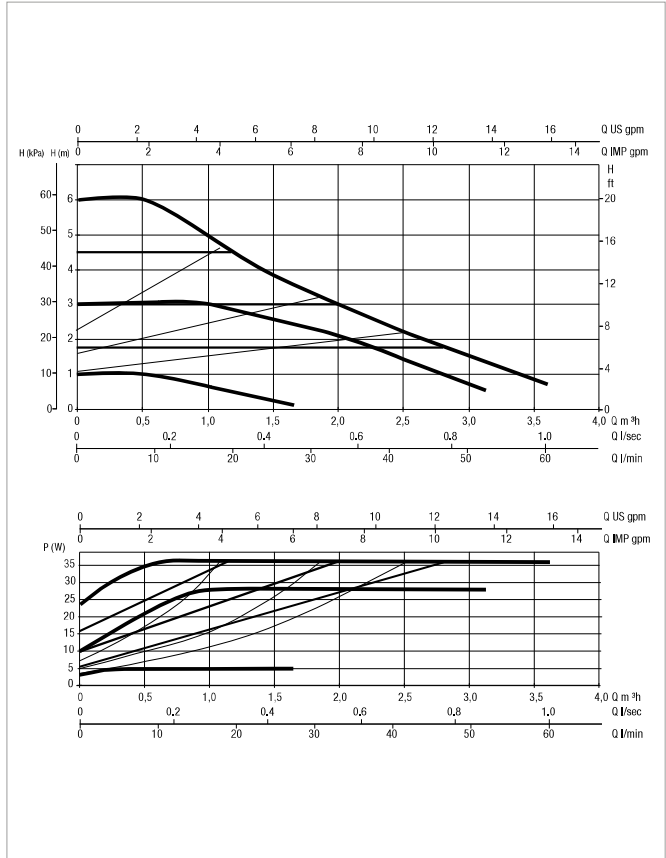
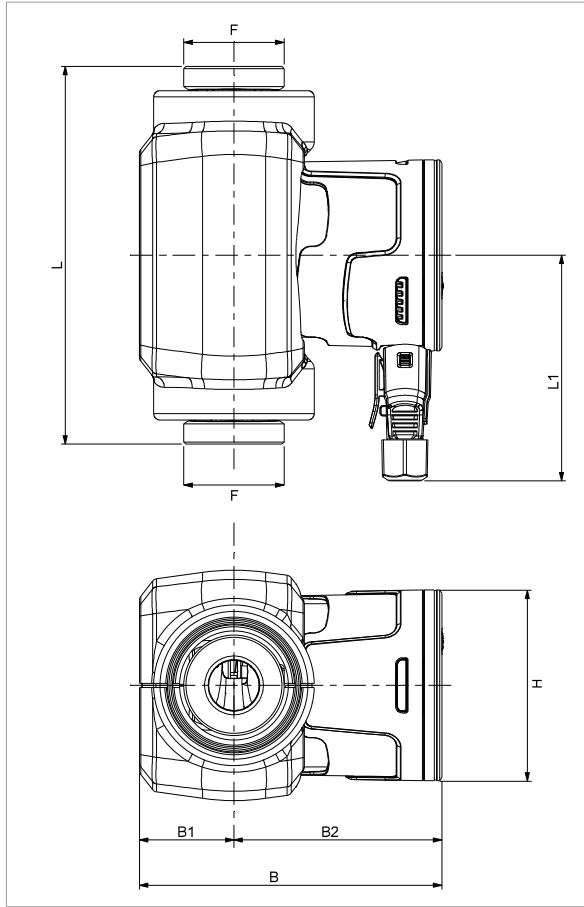
MODEL	CENTRE DISTANCE mm	PUMP CONNECTIONS	POWER INPUT 50 Hz	P1 MAX W	In A	EEI*	MINIMUM SUCTION PRESSURE	
							t°	90°
EVOSTA 3 40/130 (1")	130	DN25 THREADED (G - 1" ½)	1x230 V ~	20	0,034 - 0,18	≤ 0,17	m.c.w.	10
EVOSTA 3 40/130 (1/2")	130	DN15 THREADED (G - 1")	1x230 V ~	20	0,034 - 0,18	≤ 0,17	m.c.w.	10
EVOSTA 3 40/180 (1")	180	DN25 THREADED (G - 1" ½)	1x230 V ~	20	0,034 - 0,18	≤ 0,17	m.c.w.	10
EVOSTA 3 40/180 X (1" 1/4)	180	DN32 THREADED (G - 2")	1x230 V ~	20	0,034 - 0,18	≤ 0,17	m.c.w.	10

\*The parameter of reference for the more efficient circulators is EEI ≤ 0,19

MODEL	L	L1	B	B1	B2	H	F	PACKING DIMENSIONS			VOLUME m³	WEIGHT Kg
								L	B	H		
EVOSTA 3 40/130 (1")	130	107,5	144,1	45	99,1	91	1" ½	192	113,5	155	0,0034	2,05
EVOSTA 3 40/130 (1/2")	130	107,5	144,1	45	99,1	91	1"	192	113,5	155	0,0034	1,9
EVOSTA 3 40/180 (1")	180	107,5	144,1	45	99,1	91	1" ½	192	113,5	155	0,0034	2,22
EVOSTA 3 40/180 X (1" 1/4)	180	107,5	144,1	45	99,1	91	2"	192	113,5	155	0,0034	2,38

# EVOSTA 3 - WET ROTOR ELECTRONIC CIRCULATORS

Pumped liquid temperature range: from -10 °C to +110 °C - Maximum operating pressure: 10 bar (1000 kPa)



The performance curves are based on kinematic viscosity values = 1 mm²/s and density equal to 1000 kg/m³. Curve tolerance according to ISO 9906.

MODEL	Q=m³h	0	0,6	1,2	1,5	2,1	2,4	3,0	3,6
	Q=l/min	0	9	20	25	35	40	50	60
EVOSTA 3 60/130 (1")	H (m)	6,0	6,0	4,4	3,8	2,8	2,3	1,5	0,7
EVOSTA 3 60/130 (1/2")		6,0	6,0	4,4	3,8	2,8	2,3	1,5	0,7
EVOSTA 3 60/180 (1")		6,0	6,0	4,4	3,8	2,8	2,3	1,5	0,7
EVOSTA 3 60/180X (1" 1/4)		6,0	6,0	4,4	3,8	2,8	2,3	1,5	0,7

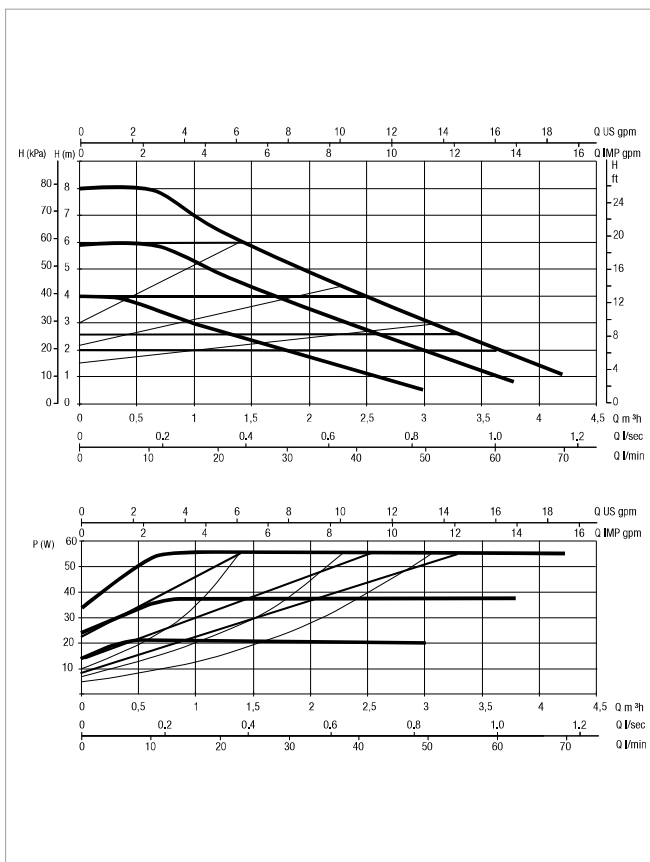
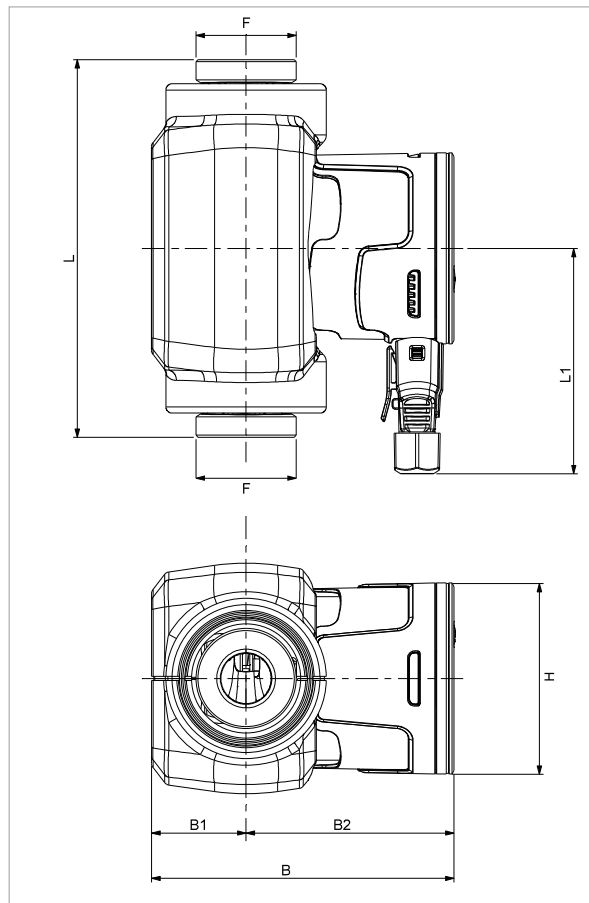
MODEL	CENTRE DISTANCE mm	PUMP CONNECTIONS	POWER INPUT 50 Hz	P1 MAX W	In A	EEI*	MINIMUM SUCTION PRESSURE	
							†°	90°
EVOSTA 3 60/130 (1")	130	DN25 THREADED (G 1" ½)	1x230 V ~	35	0,042 - 0,33	≤ 0,18	m.c.w.	10
EVOSTA 3 60/130 (1/2")	130	DN15 THREADED (G 1")	1x230 V ~	35	0,042 - 0,33	≤ 0,18	m.c.w.	10
EVOSTA 3 60/180 (1")	180	DN25 THREADED (G 1" ½)	1x230 V ~	35	0,042 - 0,33	≤ 0,18	m.c.w.	10
EVOSTA 3 60/180X (1" 1/4)	180	DN32 THREADED (G 2")	1x230 V ~	35	0,042 - 0,33	≤ 0,18	m.c.w.	10

\*The parameter of reference for the more efficient circulators is EEI ≤ 0,19

MODEL	L	L1	B	B1	B2	H	F	PACKING DIMENSIONS			VOLUME m³	WEIGHT Kg
								L	B	H		
EVOSTA 3 60/130 (1")	130	107,5	144,1	45	99,1	91	1" ½	192	113,5	155	0,0034	2,05
EVOSTA 3 60/130 (1/2")	130	107,5	144,1	45	99,1	91	1"	192	113,5	155	0,0034	1,9
EVOSTA 3 60/180 (1")	180	107,5	144,1	45	99,1	91	1" ½	192	113,5	155	0,0034	2,22
EVOSTA 3 60/180X (1" 1/4)	180	107,5	144,1	45	99,1	91	2"	192	113,5	155	0,0034	2,38

## EVOSTA 3 - WET ROTOR ELECTRONIC CIRCULATORS

Pumped liquid temperature range: from -10 °C to +110 °C - Maximum operating pressure: 10 bar (1000 kPa)



The performance curves are based on kinematic viscosity values = 1 mm<sup>2</sup>/s and density equal to 1000 kg/m<sup>3</sup>. Curve tolerance according to ISO 9906.

MODEL	Q=m <sup>3</sup> h	0	0,6	0,9	1,2	2,7	3,3	3,9	4,2
	Q=l/min	0	10	15	20	45	55	65	70
EVOSTA 3 80/130 (1")	H (m)	8,0	8,0	7,2	6,5	3,7	2,6	1,6	1,0
EVOSTA 3 80/130 (1/2")		8,0	8,0	7,2	6,5	3,7	2,6	1,6	1,0
EVOSTA 3 80/180 (1")		8,0	8,0	7,2	6,5	3,7	2,6	1,6	1,0
EVOSTA 3 80/180X (1" 1/4)		8,0	8,0	7,2	6,5	3,7	2,6	1,6	1,0

MODEL	CENTRE DISTANCE mm	PUMP CONNECTIONS	POWER INPUT 50 Hz	P1 MAX W	In A	EEI*	MINIMUM SUCTION PRESSURE	
							t°	90°
EVOSTA 3 80/130 (1")	130	DN25 THREADED (G 1" ½)	1x230 V ~	55	0,053-0,47	≤ 0,19	m.c.w.	10
EVOSTA 3 80/130 (1/2")	130	DN15 THREADED (G 1")	1x230 V ~	55	0,053-0,47	≤ 0,19	m.c.w.	10
EVOSTA 3 80/180 (1")	180	DN25 THREADED (G 1" ½)	1x230 V ~	55	0,053-0,47	≤ 0,19	m.c.w.	10
EVOSTA 3 80/180X (1" 1/4)	180	DN32 THREADED (G 2")	1x230 V ~	55	0,053-0,47	≤ 0,19	m.c.w.	10

\*The parameter of reference for the more efficient circulators is EEI ≤ 0,19

MODEL	L	L1	B	B1	B2	H	F	PACKING DIMENSIONS			VOLUME m <sup>3</sup>	WEIGHT Kg
								L	B	H		
EVOSTA 3 80/130 (1")	130	107,5	144,1	45	99,1	91	1" ½	192	113,5	155	0,0034	2,05
EVOSTA 3 80/130 (1/2")	130	107,5	144,1	45	99,1	91	1"	192	113,5	155	0,0034	1,9
EVOSTA 3 80/180 (1")	180	107,5	144,1	45	99,1	91	1" ½	192	113,5	155	0,0034	2,22
EVOSTA 3 80/180X (1" 1/4)	180	107,5	144,1	45	99,1	91	2"	192	113,5	155	0,0034	2,38

# DWA

PUMPS SELECTOR

On-line product selection



**DAB PUMPS LTD.**  
6 Gilberd Court  
Newcomen Way  
Severalls Business Park  
Colchester  
Essex  
CO4 9WN - UK  
salesuk@dwtgroup.com  
Tel. +44 0333 777 5010



**DAB PUMPS IBERICA S.L.**  
Calle Verano 18-20-22  
28850 - Torrejón de Ardoz - Madrid  
Spain  
Info.spain@dwtgroup.com  
Tel. +34 91 6569545  
Fax: + 34 91 6569676



**DAB PUMPS SOUTH AFRICA (PTY) LTD**  
Twenty One Industrial Estate,  
16 Purlin Street, Unit B, Warehouse 4  
Olifantsfontein - 1666 - South Africa  
info.sa@dwtgroup.com  
Tel. +27 12 361 3997



**DAB PUMPS BV**  
'tHofveld 6 C1  
1702 Groot Bijgaarden - Belgium  
info.belgium@dwtgroup.com  
Tel. +32 2 4668353



**DAB PUMPS HUNGARY KFT.**  
H-8800  
Nagykanizsa, Buda Ernő u.5  
Hungary  
Tel. +36 93501700



**DAB PUMPS (QINGDAO) CO. LTD.**  
No.40 Kaituo Road, Qingdao Economic & Technological  
Development Zone  
Qingdao City, Shandong Province - China  
PC: 266500  
sales.cn@dwtgroup.com  
Tel. +86 400 186 8280  
Fax +86 53286812210



**DAB PUMPS B.V.**  
Albert Einsteinweg, 4  
5151 DL Drunen - Nederland  
info.netherlands@dwtgroup.com  
Tel. +31 416 387280  
Fax +31 416 387299



**DAB PUMPS POLAND Sp. z o.o.**  
Ul. Janka Muzykanta 60  
02-188 Warszawa - Poland  
polska@dabpumps.com.pl



**DAB PUMPS DE MÉXICO, S.A. DE C.V.**  
Av Amsterdam 101 Local 4  
Col. Hipódromo Condesa,  
Del. Cuauhtémoc CP 06170  
Ciudad de México  
Tel. +52 55 6719 0493



**OOO DAB PUMPS**  
Novgorodskaya str. 1, block G  
office 308, 127247, Moscow - Russia  
info.russia@dwtgroup.com  
Tel. +7 495 122 0035  
Fax +7 495 122 0036



**DAB PUMPEN DEUTSCHLAND GmbH**  
Tackweg 11  
D - 47918 Tönisvorst - Germany  
info.germany@dwtgroup.com  
Tel. +49 2151 82136-0  
Fax +49 2151 82136-36



**DAB PUMPS INC.**  
3226 Benchmark Drive  
Ladson, SC 29456 - USA  
info.usa@dwtgroup.com  
Tel. 1- 843-797-5002  
Fax 1-843-797-3366



**DAB PUMPS OCEANIA PTY LTD**  
426 South Gippsland Hwy,  
Dandenong South VIC 3175 - Australia  
info.oceania@dwtgroup.com  
Tel. +61 1300 378 677