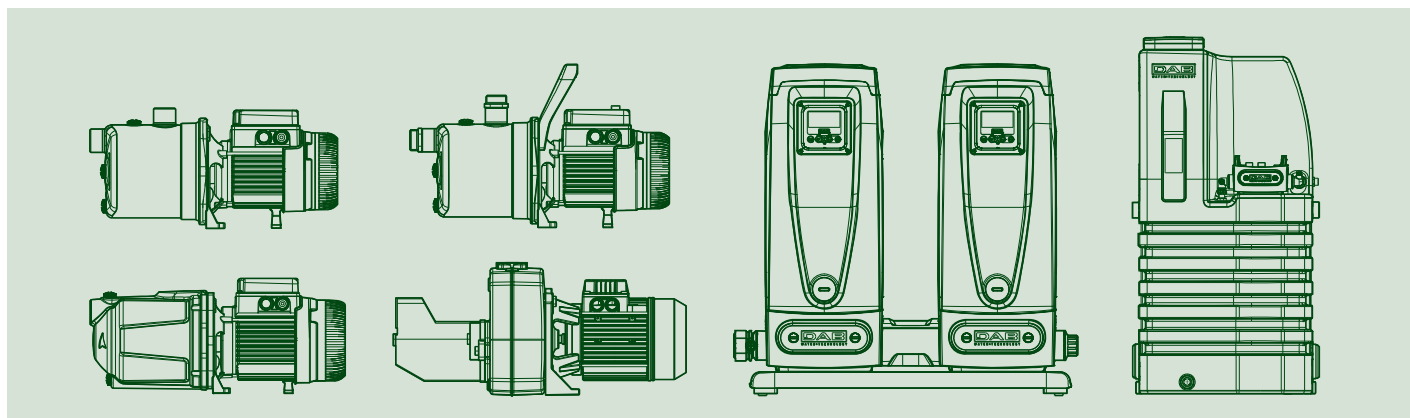




WATER • TECHNOLOGY

# SELF-PRIMING MULTISTAGE CENTRIFUGAL PUMPS



# TECHNICAL CATALOGUE

**TECHNICAL DATA****Operating range:**

from 0.4 to 10.5 m<sup>3</sup>/h with head up to 62 metres

**Liquid quality requirements:** clean, free from solid or abrasive contaminants, non-viscous, non-aggressive, uncrystallised and chemically neutral

**Liquid temperature range:**

for domestic use: from 0°C to +35°C (EN 60335-2-41)

for other use: from 0°C to +40°C

**Maximum suction depth:** 8 metres

**Maximum ambient temperature:** +50°C

**Maximum operating pressure:** 8 bar (800 kPa)

**Installation:** fixed in a horizontal position

**Special executions on request:** alternative voltages and/or frequencies

**Motor protection rating:** IP 44

**Terminal block protection rating:** IP 55

**Insulation class:** F

**Standard input voltage:** single phase 220-240 V / 50 Hz  
three phase 230-400 V / 50 Hz

**APPLICATIONS**

Self priming centrifugal pump with excellent suction capacity even in the presence of air bubbles.

Suitable for pumping water with low levels of sandy impurities.

Especially used in domestic water supply installations.

Suitable for small farms and gardening, small scale industrial services and where self priming is necessary.

**CONSTRUCTIONAL FEATURES OF THE PUMP**

Pump body, seal holder cover and wear ring in stainless steel.

Motor support in die cast aluminium.

Impeller, diffuser, venturi tube in technopolymer.

Carbon/ceramic mechanical seal.

**CONSTRUCTIONAL FEATURES OF THE MOTOR**

Asynchronous type, closed, with external air cooling.

Rotor mounted on oversized greased-for-life ball bearings, to guarantee low noise and long life.

Incorporated thermo-amperometric protection and permanently inserted capacitor in the single phase version.

It is recommended to use overload protection for three phase motor protection, in compliance with current legislation.

Manufacture pursuant to CEI 2-3 and CEI 61-69 (EN 60335-2-41) standard.

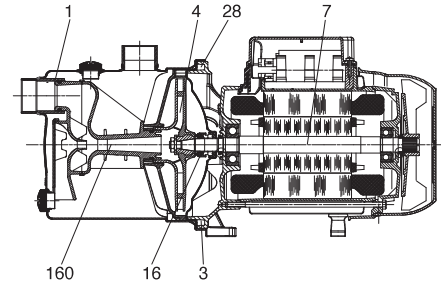
# JETINOX

## SELF-PRIMING CENTRIFUGAL PUMPS

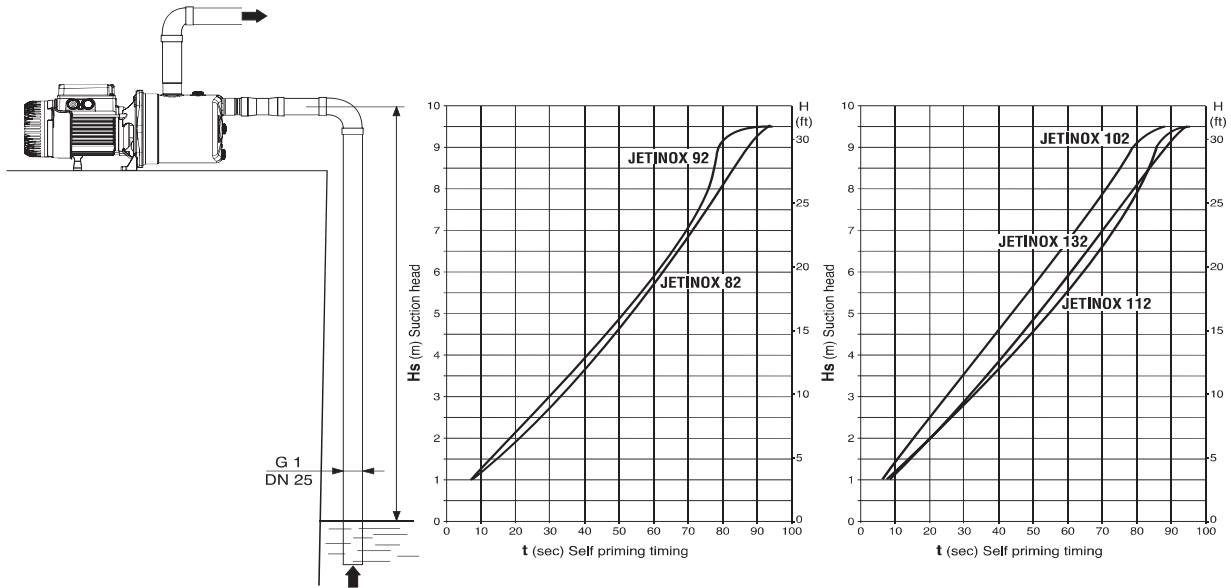
### MATERIALS

N°	PARTS *	MATERIALS
1	PUMP BODY	AISI 304 STAINLESS STEEL X5 CRNi 1810 - UNI 6900/71
4	IMPELLER	TECHNOPOLYMER A
7	SHAFT WITH ROTOR	AISI 416 STAINLESS STEEL X12 CrS13 - UNI 6900/71
16	MECHANICAL SEAL	CARBON/CERAMIC
28	OR GASKET	NBR RUBBER
36	SEAL HOLDER COVER	AISI 304 STAINLESS STEEL X5 CRNi 1810 - UNI 6900/71
160	VENTURI DIFFUSER NOZZEL GROUP	TECHNOPOLYMER A

\* In contact with liquid



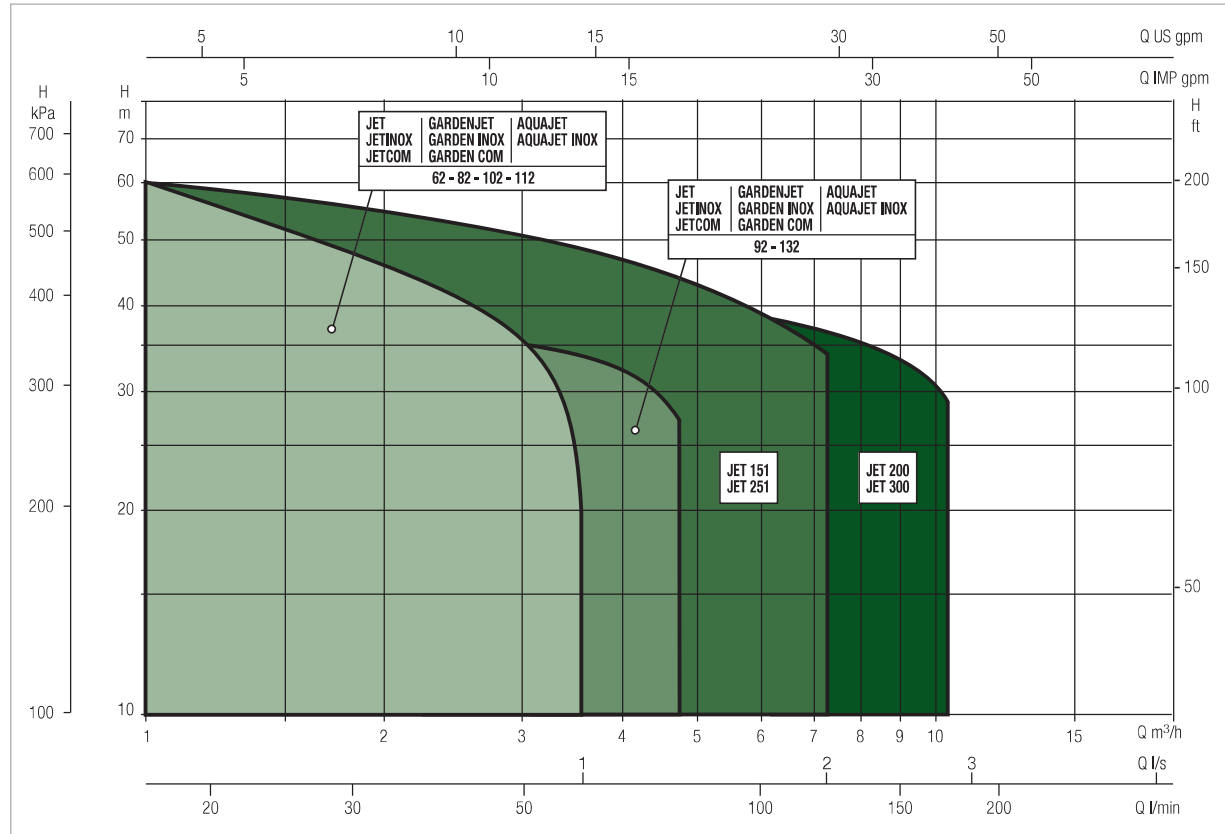
### SELF PRIMING CAPACITY



### PERFORMANCE RANGE

The performance curves are based on kinematic viscosity values = 1 mm<sup>2</sup>/s and density equivalent to 1000 kg/m<sup>3</sup>. Curve tolerance according to ISO 9906.

### GRAPHIC SELECTION TABLE

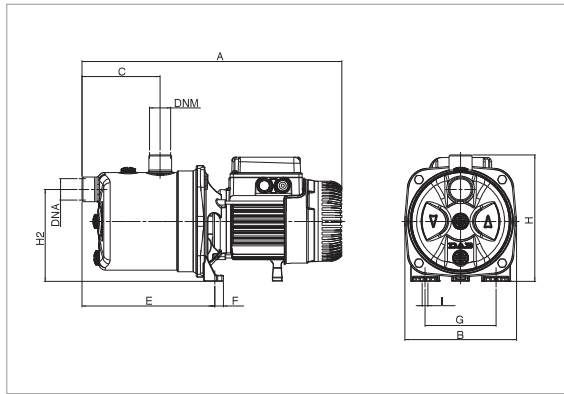


### JETINOX SELECTION TABLE

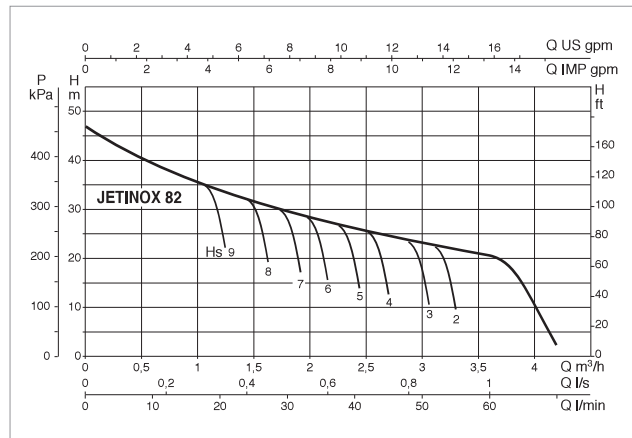
MODEL	Q=m³/h	0	0,6	1,2	1,8	2,4	3,0	3,6	4,2	4,8
	Q=l/min	0	10	20	30	40	50	60	70	80
JETINOX 82 M	H (m)	47	40	34	30	26,2	23,5	20,3		
JETINOX 82 T		47	40	34	30	26,2	23,5	20,3		
JETINOX 102 M		53,8	47	41	36,3	32,4	28,8	25,8		
JETINOX 102 T		53,8	47	41	36,3	32,4	28,8	25,8		
JETINOX 112 M		61	54	47,8	42,8	38,8	34,8	20		
JETINOX 112 T		61	54	47,8	42,8	38,8	34,8	20		
JETINOX 92 M		36,2	33,5	31	28,4	26	24	21,8	19,6	17,5
JETINOX 132 M		48,3	45,6	42,8	40	37,6	35	32,5	30	27,2
JETINOX 132 T		48,3	45,6	42,8	40	37,6	35	32,5	30	27,2

## JETINOX 82 - SELF-PRIMING CENTRIFUGAL PUMPS

Liquid temperature range pumped: from 0 °C to +35 °C - Maximum ambient temperature: +50°C



The performance curves are based on the kinematic viscosity values = 1 mm<sup>2</sup>/s and density equivalent to 1000 kg/m<sup>3</sup>. Curve tolerance according to ISO 9906.

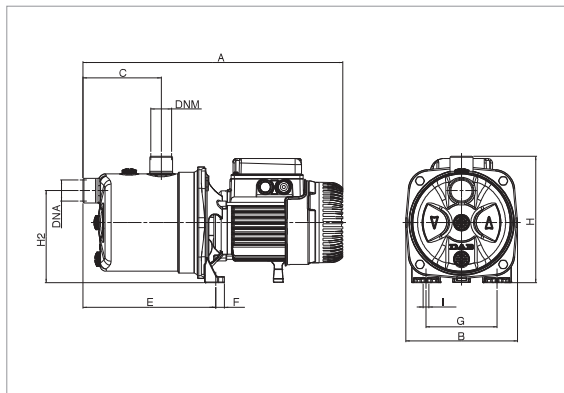


MODEL	ELECTRICAL DATA						
	POWER SUPPLY 50 Hz	P1 MAX kW	P2 NOMINAL		In A	CAPACITOR	
			kW	HP		μF	Vc
JETINOX 82 M	1 x 220 - 240 V ~	0,85	0,6	0,8	3,8	12,5	450
JETINOX 82 T	3 x 230 - 400 V ~	0,86	0,6	0,8	2,8-1,6	-	-

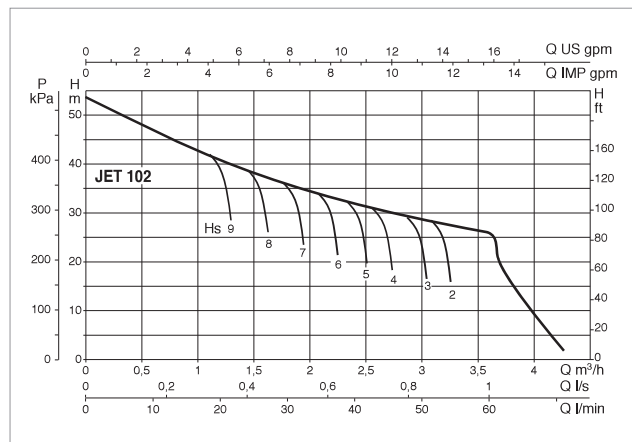
MODEL	A	A1	B	C	E	F	G	H	H1	H2	H3	I Ø	DNA	DNM	PACKING DIMENSIONS			VOLUME (mc)	GROSS WEIGHT Kg
															L/A	L/B	H		
JETINOX 82 M	406	-	174	122	207	14	111	197	-	144	-	9	1"	1"	470	240	240	0,027	7,8
JETINOX 82 T	406	-	174	122	207	14	111	197	-	144	-	9	1"	1"	470	240	240	0,027	7,8

## JETINOX 102 - SELF-PRIMING CENTRIFUGAL PUMPS

Liquid temperature range pumped: from 0 °C to +35 °C - Maximum ambient temperature: +50°C



The performance curves are based on the kinematic viscosity values = 1 mm<sup>2</sup>/s and density equivalent to 1000 kg/m<sup>3</sup>. Curve tolerance according to ISO 9906.

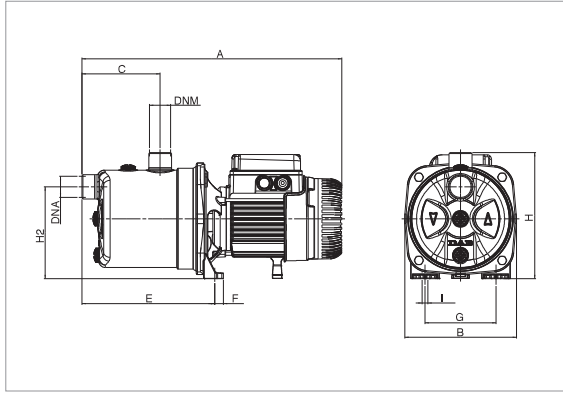


MODEL	ELECTRICAL DATA							
	POWER SUPPLY 50 Hz	MOTOR TYPE	P1 MAX kW	P2 NOMINAL		In A	CAPACITOR	
				kW	HP		μF	Vc
JETINOX 102 M	1 x 220 - 240 V ~	-	1,13	0,75	1	5,1	16	450
JETINOX 102 T	3 x 230 - 400 V ~	E3	1,03	0,75	1	3,4-2	-	-
JETINOX 102 T	3 x 230 - 400 V ~	E2	1,04	0,75	1	3,3-1,9	-	-

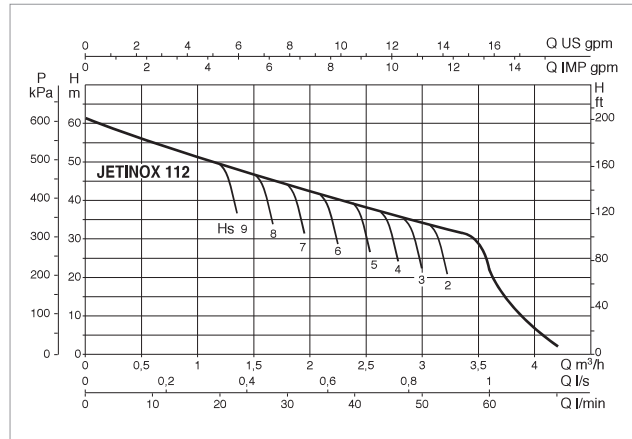
MODEL	A	A1	B	C	E	F	G	H	H1	H2	H3	I Ø	DNA	DNM	PACKING DIMENSIONS			VOLUME (mc)	GROSS WEIGHT Kg
															L/A	L/B	H		
JETINOX 102 M	424	-	174	122	207	14	111	197	-	144	-	9	1"	1"	470	240	240	0,027	9,6
JETINOX 102 T	424	-	174	122	207	14	111	197	-	144	-	9	1"	1"	470	240	240	0,027	9,6

## JETINOX 112 - SELF-PRIMING CENTRIFUGAL PUMPS

Liquid temperature range pumped: from 0 °C to +35 °C - Maximum ambient temperature: +50°C



The performance curves are based on the kinematic viscosity values = 1 mm<sup>2</sup>/s and density equivalent to 1000 kg/m<sup>3</sup>. Curve tolerance according to ISO 9906.

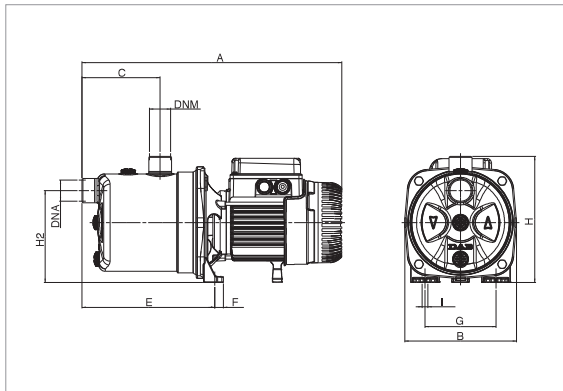


MODEL	POWER SUPPLY 50 Hz	MOTOR TYPE	P1 MAX kW	P2 NOMINAL		In A	CAPACITOR	
				kW	HP		μF	Vc
				JETINOX 112 M	1 x 220 - 240 V ~	-	1,4	1
JETINOX 112 T	3 x 230 - 400 V ~	E3	1,3	1	1,36	4,1-2,4	-	-
JETINOX 112 T	3 x 230 - 400 V ~	E2	1,35	1	1,36	4,3-2,5	-	-

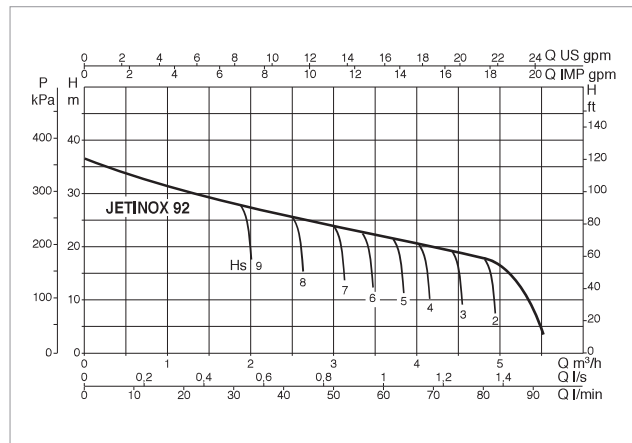
MODEL	A	A1	B	C	E	F	G	H	H1	H2	H3	I Ø	DNA	DNM	PACKING DIMENSIONS			VOLUME (mc)	GROSS WEIGHT Kg
															L/A	L/B	H		
JETINOX 112 M	424	-	174	122	207	14	111	197	-	144	-	9	1"	1"	470	240	240	0,027	10,6
JETINOX 112 T	440	-	174	122	207	14	111	197	-	144	-	9	1"	1"	470	240	240	0,027	10,6

## JETINOX 92 - SELF-PRIMING CENTRIFUGAL PUMPS

Liquid temperature range pumped: from 0 °C to +35 °C - Maximum ambient temperature: +50°C



The performance curves are based on the kinematic viscosity values = 1 mm<sup>2</sup>/s and density equivalent to 1000 kg/m<sup>3</sup>. Curve tolerance according to ISO 9906.

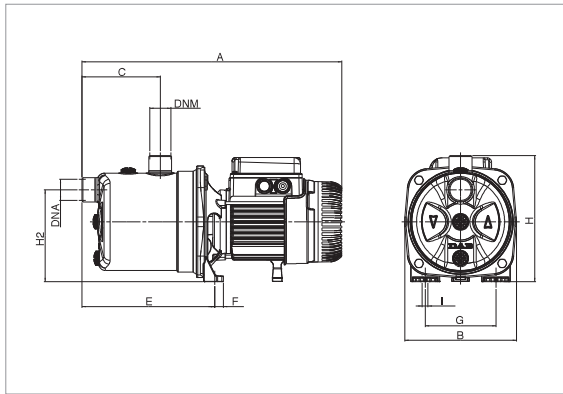


MODEL	POWER SUPPLY 50 Hz	P1 MAX kW	P2 NOMINAL		In A	CAPACITOR	
			kW	HP		μF	Vc
			JETINOX 92 M	1 x 220 - 240 V ~	0,94	0,75	1

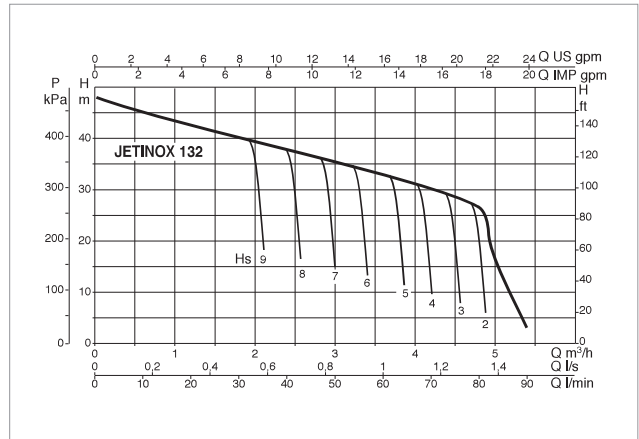
MODEL	A	A1	B	C	E	F	G	H	H1	H2	H3	I Ø	DNA	DNM	PACKING DIMENSIONS			VOLUME (mc)	GROSS WEIGHT Kg
															L/A	L/B	H		
JETINOX 92 M	406	-	174	122	207	14	111	197	-	144	-	9	1"	1"	470	240	240	0,027	8,8

# JETINOX 132 - SELF-PRIMING CENTRIFUGAL PUMPS

Liquid temperature range pumped: from 0 °C to +35 °C - Maximum ambient temperature: +50°C



The performance curves are based on the kinematic viscosity values = 1 mm<sup>2</sup>/s and density equivalent to 1000 kg/m<sup>3</sup>. Curve tolerance according to ISO 9906.



MODEL	ELECTRICAL DATA							
	POWER SUPPLY 50 Hz	MOTOR TYPE	P1 MAX kW	P2 NOMINAL		In A	CAPACITOR	
				kW	HP		µF	Vc
JETINOX 132 M	1 x 220 - 240 V ~	-	1,49	1	1,36	6,6	25	450
JETINOX 132 T	3 x 230 - 400 V ~	E3	1,37	1	1,36	4,3-2,5	-	-
JETINOX 132 T	3 x 230 - 400 V ~	E2	1,43	1	1,36	4,7-2,7	-	-

MODEL	PACKING DIMENSIONS														VOLUME (mc)	GROSS WEIGHT Kg			
	A	A1	B	C	E	F	G	H	H1	H2	H3	I Ø	DNA	DNM			L/A	L/B	H
JETINOX 132 M	424	-	174	122	207	14	111	197	-	144	-	9	1"	1"	470	240	240	0,027	10,6
JETINOX 132 T	440	-	174	122	207	14	111	197	-	144	-	9	1"	1"	470	240	240	0,027	10,6
JETINOX 132 T	424	-	174	122	207	14	111	197	-	144	-	9	1"	1"	470	240	240	0,027	10,6



**DAB**  
PUMPS SELECTOR

On-line product selection



**DAB PUMPS LTD.**  
6 Gilberd Court  
Newcomen Way  
Severalls Business Park  
Colchester  
Essex  
CO4 9WN - UK  
salesuk@dwgroup.com  
Tel. +44 0333 777 5010



**DAB PUMPS IBERICA S.L.**  
Calle Verano 18-20-22  
28850 - Torrejón de Ardoz - Madrid  
Spain  
Info.spain@dwgroup.com  
Tel. +34 91 6569545  
Fax: + 34 91 6569676



**DAB PUMPS SOUTH AFRICA (PTY) LTD**  
Twenty One Industrial Estate,  
16 Purlin Street, Unit B, Warehouse 4  
Ollifantsfontein - 1666 - South Africa  
info.sa@dwgroup.com  
Tel. +27 12 361 3997



**DAB PUMPS BV**  
"Hofveld 6 C1  
1702 Groot Bijgaarden - Belgium  
info.belgium@dwgroup.com  
Tel. +32 2 4668353



**DAB PUMPS HUNGARY KFT.**  
H-8800  
Nagykanizsa, Buda Ernő u.5  
Hungary  
Tel. +36 93501700



**DAB PUMPS (QINGDAO) CO, LTD.**  
No.40 Kaituo Road, Qingdao Economic & Technological  
Development Zone  
Qingdao City, Shandong Province - China  
PC: 266500  
sales.cn@dwgroup.com  
Tel. +86 400 186 8280  
Fax +86 53286812210



**DAB PUMPS B.V.**  
Albert Einsteinweg, 4  
5151 DL Drunen - Nederland  
info.netherlands@dwgroup.com  
Tel. +31 416 387280  
Fax +31 416 387299



**DAB PUMPS POLAND Sp. z o.o.**  
Ul. Janka Muzykanta 60  
02-188 Warszawa - Poland  
polska@dabpumps.com.pl



**DAB PUMPS DE MÉXICO, S.A. DE C.V.**  
Av Amsterdam 101 Local 4  
Col. Hipódromo Condesa,  
Del. Cuauhtémoc CP 06170  
Ciudad de México  
Tel. +52 55 6719 0493



**OOO DAB PUMPS**  
Novgorodskaya str. 1, block G  
office 308, 127247, Moscow - Russia  
info.russia@dwgroup.com  
Tel. +7 495 122 0035  
Fax +7 495 122 0036



**DAB PUMPS OCEANIA PTY LTD**  
426 South Gippsland Hwy,  
Dandenong South VIC 3175 - Australia  
info.oceania@dwgroup.com  
Tel. +61 1300 373 677



**DAB PUMPS GMBH**  
Am Nordpark 3  
D - 41069 Mönchengladbach - Germany  
info.germany@dwgroup.com  
Tel. +49 2161 47388-0  
Fax +49 2161 47388-36



**DAB PUMPS INC.**  
3226 Benchmark Drive  
Ladson, SC 29456 - USA  
info.usa@dwgroup.com  
Tel. 1- 843-797-5002  
Fax 1-843-797-3366



**PT DAB PUMPS INDONESIA**  
Satrio Tower lantai 26  
unit C-D, Jl. Prof. Dr. Satrio Kav. C4,  
Kel. Kuningan Timur, Kec. Setiabudi, Kota Adm.  
Jakarta Selatan, Prov. DKI Jakarta. - Indonesia  
Tel. +62 2129222850