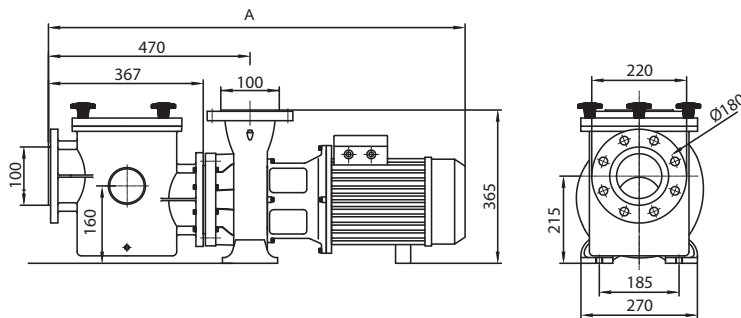


2 YEARS OF WARRANTY

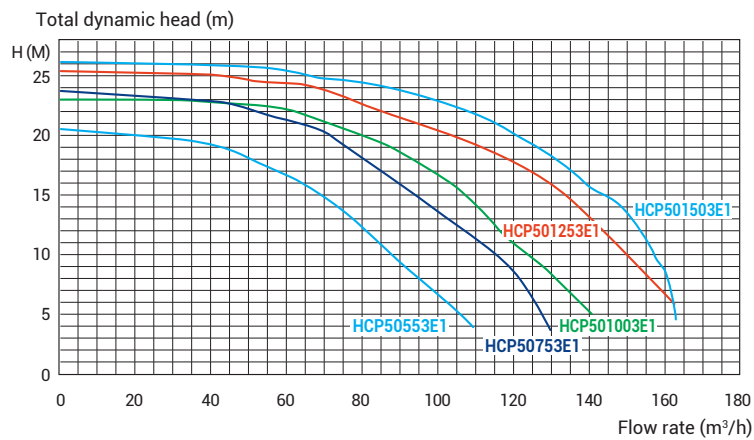


High-performance centrifugal pumps

- Easy to install
- Pump casing and prefilter in cast iron GG-22, impeller in sea-bronze
- Flange connections
- Elevated base to ensure proper motor ventilation
- Operates at 50 Hz / 2850 rpm, IP55, class F insulation
- Usages: large pools, spas, water features



➤ HCP 5000 SERIES Curves



For full information, please refer to our commercial website.

HCP 5000 SERIES

Reference	Type (HP)	Input power P1 (kW)	Flow rate* (m³/h)	Inlet / Outlet (mm)	Weight (kg)	Model	Amperage (A)	Dim A (mm)
HCP50553E1	5	4.9	71.3	100	117	Three-phase 400 / 700V	9/5.2	935
HCP50753E1	7.5	7	97	100	122	Three-phase 400 / 700V	12.1/7	935
HCP501003E1	10	8.7	109	100	124	Three-phase 400 / 700V	15.8/9.2	935
HCP501253E1	12.5	10.7	135	100	144	Three-phase 400 / 700V	17.5/10.2	1025
HCP501503E1	15	13.3	147	100	150	Three-phase 400 / 700V	22.5/13	1025

* under 14m water column pressure