

Receiver

Society
 Reference
 Address
 Phone
 Fax
 E-mail

From

Item n° :

60150940

Model :

EVOPLUS 80/180 M

Pump data

Pressure rating : 1600 kPa
 Min. fluid temperature : 263 K
 Max. fluid temperature : 383 K
 EEI : ≤ 0,22

Minimum suction head :

Temperature K 363 373
 Minimum suction head : m 20 25

Requested data

Flow : 0.00 l/s
 Head : 0.00 m
 Fluid (%) : Water, pure
 Fluid Temperature : 293 K
 Density : 998.3 kg/m³
 Kinematic viscosity : 1.005 mm²/s
 Vapor pressure : 100.00 kPa

Hydraulic data (duty point)

Flow :
 Head :

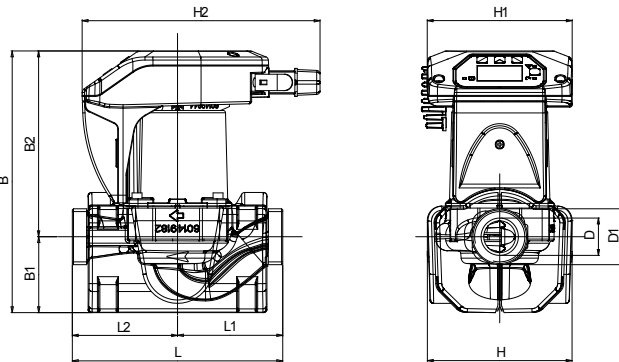
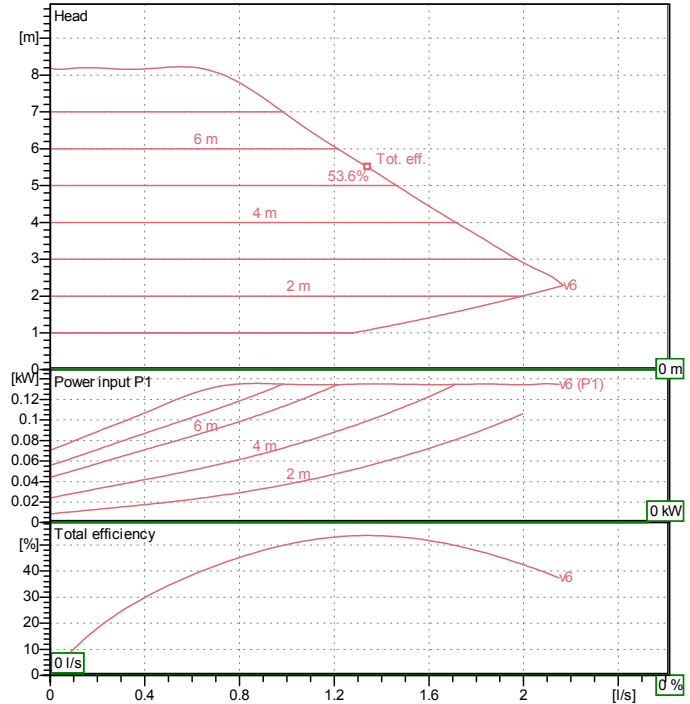
Materials

Pump body : Cast iron 250 UNI ISO 185 - CTF
 Impeller : Technopolymer
 Motor shaft : Alumina
 Seal ring : EPDM
 Motor casing : Die cast aluminium
 Closing flange : Stainless steel
 Thrust ring support : EPDM

Motor data

Motor brand : DAB
 Power input P1 : 0.1349 kW
 Rated voltage : 1~ 220-240 V 50 Hz
 Nominal current : 0.95 A
 Degree of protection : IP 44

Curve tolerance according to ISO 9906


Dimensions in mm

B	224	H	124	L2	90		
B1	65	H1	124				
B2	159	H2	204				
D	32	L	180				
D1	1"1/2 G	L1	90				

Weight : 4.5 kg

Pump connection

Suction side : 1"1/2 G
 Discharge side : 1"1/2 G



PERFORMANCE CURVES

27/12/2015

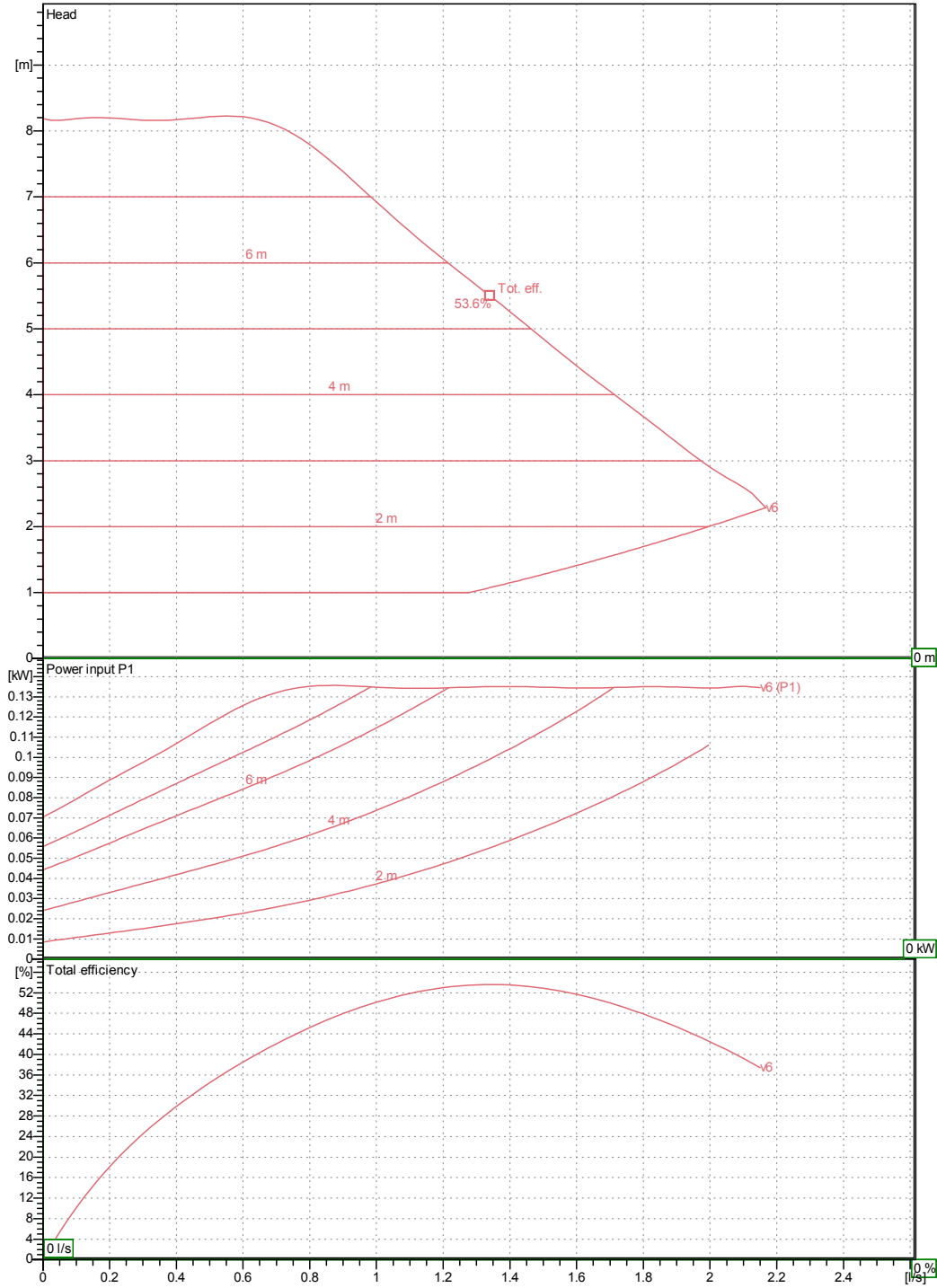
Page 2 / 3

DAB PUMPS S.p.A.
Via Marco Polo, 14 - 35035 Mestrino (PD), Italy
Tel. +39 049 5125000 - Fax +39 049 5125950
www.dabpumps.com

Society Reference Address Phone Fax E-mail	Receiver	From

EVOPLUS 80/180 M

Curve tolerance according to ISO 9906



Hydraulic data (duty point)

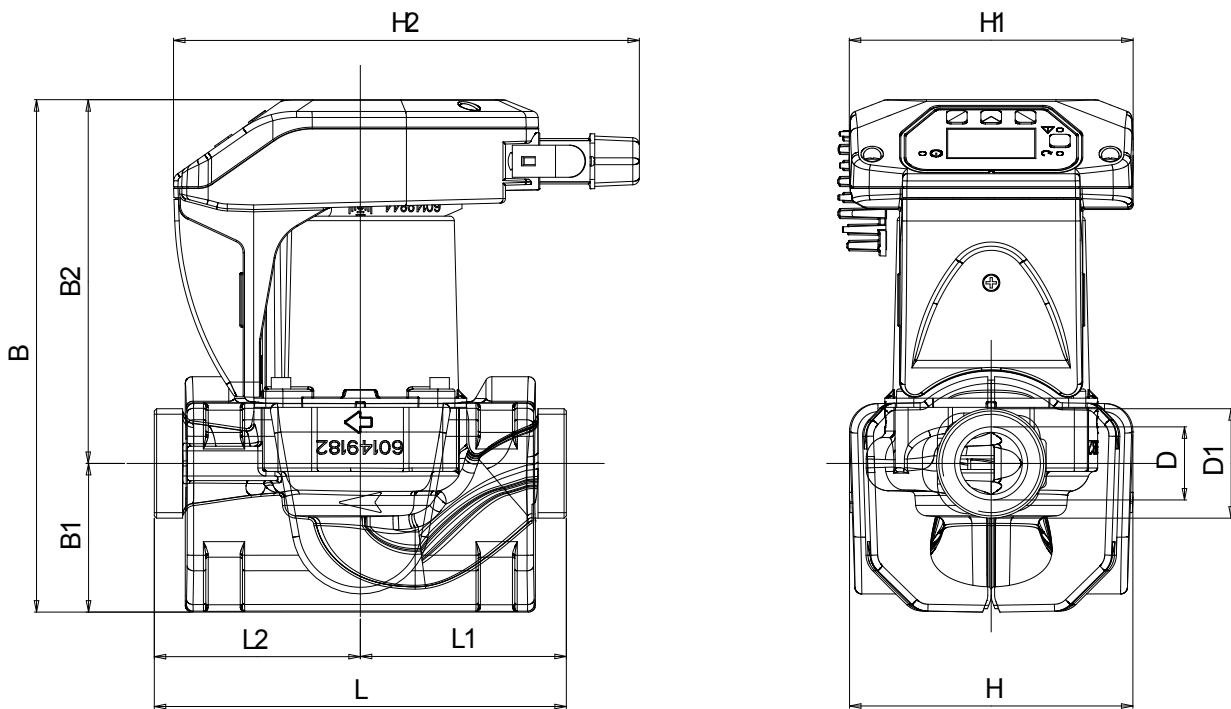
Suction side : 1"1/2 G 16 bar (1600 kPa)	Discharge side : 1"1/2 G 16 bar (1600 kPa)	Flow : 0 l/s	Head : 0 m	Rated speed : 2900 1/min
Project	Project ID	Created by	Created on 26/12/2015	

Receiver

From

Society
 Reference
 Address
 Phone
 Fax
 E-mail

EVOPLUS 80/180 M


Dimensions in mm

1	B	224	L2	90	
2	B1	65			
3	B2	159			
4	D	32			
5	D1	1"1/2 G			
6	H	124			
7	H1	124			
8	H2	204			
9	L	180			
10	L1	90			

Pump connection

Suction
 1"1/2 G
 16 bar (1600 kPa)

Discharge
 1"1/2 G
 16 bar (1600 kPa)

Project

Project ID

Created by

Created on

26/12/2015