

ARAL PLUS C-3000 CENTRIFUGAL PUMPS



The pump series ARAL PLUS C-3000 made in cast iron and it specifically designed for public pools. Featuring a standard 2-pole motor design that operates at 3000rpm, up to 12,5HP.

The impeller made in bronze and all components in contact with water undergo a cataphoresis treatment, significantly extending the lifespan of the cast iron by providing a robust barrier against corrosion and oxidation, ensuring durability and sustained performance over time.

MATERIALS

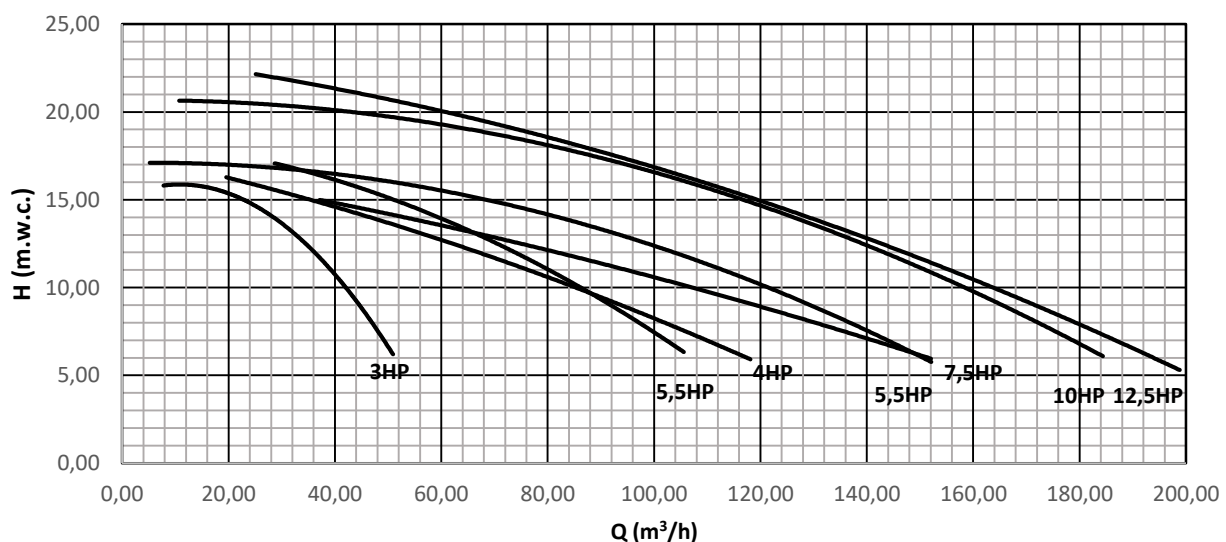
- Pump housing: Cast iron
- Shaft: Stainless steel AISI 316L
- Impeller: Bronze
- Mechanical Seal: Carbon + Ceramics
- Screws: Stainless steel AISI 304
- Pre-filter basket: AISI 304

- IP55
- Standard motor (EN IEC 60034-7)
- Cataphoresis treatment
- Flow rate: up to 180 m³/h
- Power rate: from 3HP a 12,5HP
- Motor: 50Hz/3000 rpm. Available also at 60Hz (code XXXX-0810)

	Code	Standard Pack	Standard weight (kg)	Standard volume (m ³)
ARAL PLUS C-3000 3HP 230/400 50Hz	76917	1	55	0,172
ARAL PLUS C-3000 4HP 230/400 50Hz	76918	1	68	0,172
ARAL PLUS C-3000 4HP 400/690 50Hz	76919	1	68	0,172
ARAL PLUS C-3000 5,5HP DN100-100 230/400 50Hz	76920	1	77	0,206
ARAL PLUS C-3000 5,5HP DN100-100 400/690 50Hz	76921	1	77	0,206
ARAL PLUS C-3000 5,5HP DN125-100 230/400 50Hz	76922	1	90	0,206
ARAL PLUS C-3000 5,5HP DN125-100 400/690 50Hz	76923	1	90	0,206
ARAL PLUS C-3000 7,5HP 230/400 50Hz	76924	1	99	0,206
ARAL PLUS C-3000 7,5HP 400/690 50Hz	76925	1	99	0,206
ARAL PLUS C-3000 10HP 400/690 50Hz	76926	1	104	0,206
ARAL PLUS C-3000 12,5HP 400/690 50Hz	76927	1	113	0,206

PERFORMANCE CURVES

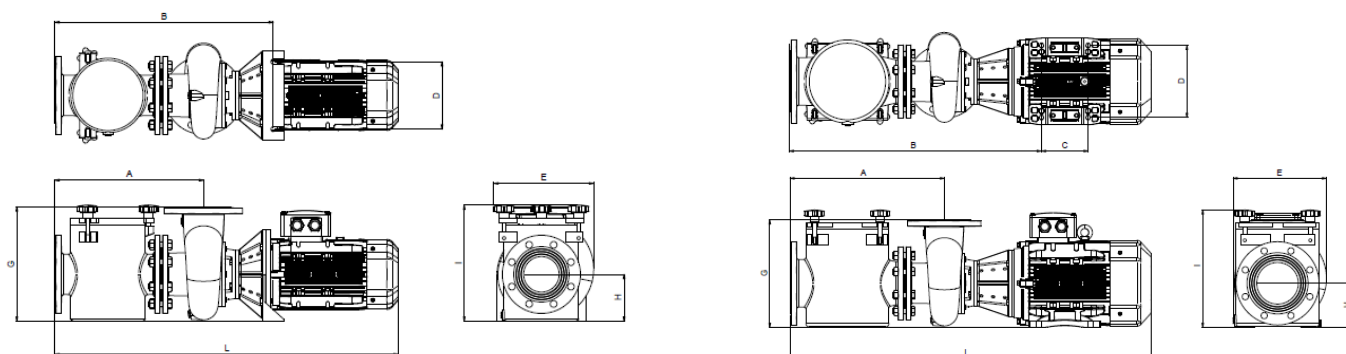
ARAL PLUS C-3000



ARAL PLUS C-3000 CENTRIFUGAL PUMPS

76917 / 76918 / 76919 / 76920 / 76921 / 76922 / 76923

76924 / 76925 / 76926 / 76927



TECHNICAL FEATURES

Code	Power	Suction Connection		☒	mwc									
					6	8	10	12	14	16	18	20	22	
					m³/h									
76917	2.20 kW (3 HP)	7,6	4,3	80	3" BSP	51	47	42	38	27	8	-	-	-
76918	3 kW (4 HP)	9,9	5,7	100	100	118	105	85,8	70	49	20	-	-	-
76919	3 kW (4 HP)	5,7	3,3	100	100	118	105	85,8	70	49	20	-	-	-
76920	4.00 kW (5.5 HP)	13,0	7,4	100	100	106	99	85	76	58	41	-	-	-
76921	4.00 kW (5.5 HP)	7,4	4,3	100	100	106	99	85	76	58	41	-	-	-
76922	4.00 kW (5.5 HP)	13,0	7,4	125	100	152	130	110	81	55	-	-	-	-
76923	4.00 kW (5.5 HP)	7,4	4,3	125	100	152	130	110	81	55	-	-	-	-
76924	5.5 kW (7.5 HP)	17,6	10,1	125	100	152	136	123	106	81	55	5	-	-
76925	5.5 kW (7.5 HP)	10,1	5,9	125	100	152	136	123	106	81	55	5	-	-
76926	7.5 kW (10 HP)	13,5	7,8	125	100	185	172	158	143	126	106	82	43	-
76927	9.2 kW (12,5 HP)	16,6	9,6	125	100	194	179	163	147	129	109	87	61	26

Code	Suction Connection	Delivery Connection	Dimensions (mm)								
			A	B	C	D	E	G	H	I	L
76917	80	3" BSP	382	555	-	140	268	263	132	327	857
76918	100	100	419	616	-	190	281	322	132	327	968
76919	100	100	419	616	-	190	281	322	132	327	996
76920	100	100	419	616	-	190	281	322	132	327	996
76921	100	100	419	616	-	190	281	322	132	327	996
76922	125	100	464	661	-	190	281	322	132	352	1041
76923	125	100	464	661	-	190	281	322	132	352	1041
76924	125	100	464	756	140	216	281	322	132	352	1086
76925	125	100	464	756	140	216	281	322	132	352	1086
76926	125	100	464	756	140	216	281	322	132	352	1086
76927	125	100	464	756	178	216	281	322	132	352	1108

ARAL PLUS C-1500 CENTRIFUGAL PUMPS



The ARAL PLUS C-1500 made in cast iron and it specifically designed for public pools. Its four-poles, 1.450rpm, design motor up to 25HP, is meticulously crafted for high-performance, offering large flows optimal for substantial pools while maintaining low level of noise during its operation.

All components in contact with water undergo a cataphoresis treatment, significantly extending the lifespan of the cast iron by providing a robust barrier against corrosion and oxidation, ensuring durability and sustained performance over time.

Also available with bronze impeller.

MATERIALS

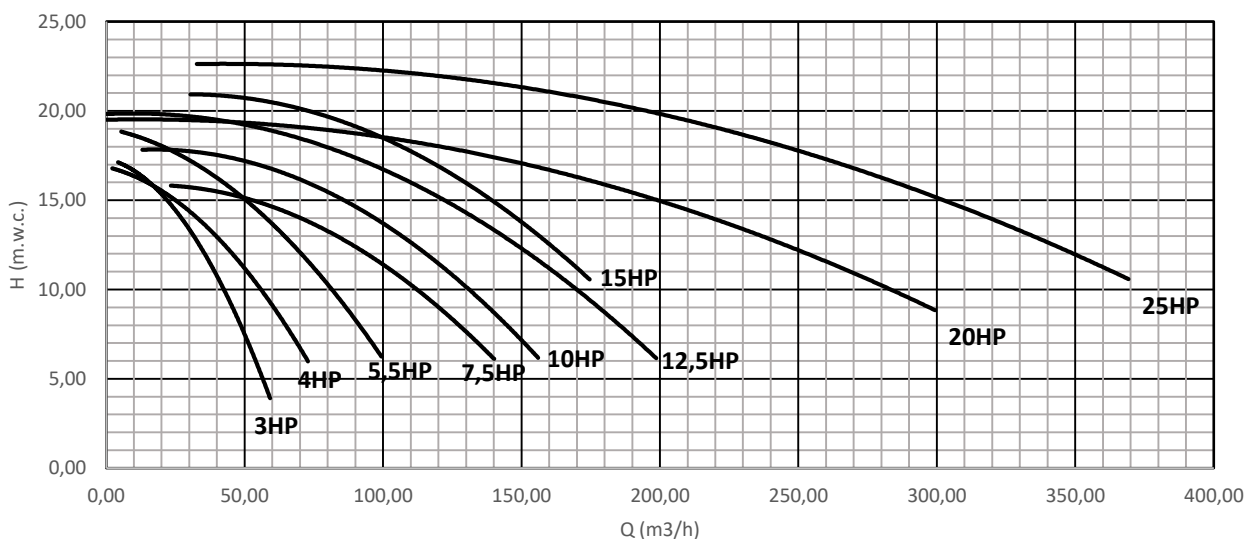
- Pump housing: Cast iron
- Shaft: Stainless steel AISI 316L
- Impeller: Cast iron (also available in bronze)
- Mechanical Seal: Carbon + Ceramics
- Screws: Stainless steel AISI 304
- Pre-filter basket: AISI 304

- IP55
- Standard motor (EN IEC 60034-7)
- Cataphoresis treatment
- Flow rate: up to 340 m³/h
- Power rate: from 3HP a 25HP
- Motor: 50Hz/1450 rpm. Available also at 60Hz (code XXXX-0810)

	Code	Standard Pack	Standard weight (kg)	Standard volume (m ³)
ARAL PLUS C-1500 3HP 230/400 50Hz	76905	1	89	0,244
ARAL PLUS C-1500 4HP 230/400 50Hz	76906	1	103	0,327
ARAL PLUS C-1500 4HP 400/690 50Hz	76907	1	103	0,327
ARAL PLUS C-1500 5,5HP 230/400 50Hz	76908	1	111	0,327
ARAL PLUS C-1500 5,5HP 400/690 50Hz	76909	1	111	0,327
ARAL PLUS C-1500 7,5HP 230/400 50Hz	76910	1	143	0,327
ARAL PLUS C-1500 7,5HP 400/690 50Hz	76911	1	143	0,327
ARAL PLUS C-1500 10HP 400/690 50Hz	76912	1	153	0,461
ARAL PLUS C-1500 12,5HP 400/690 50Hz	76913	1	213	0,461
ARAL PLUS C-1500 15HP 400/690 50Hz	76914	1	243	0,471
ARAL PLUS C-1500 20HP 400/690 50Hz	76915	1	298	0,550
ARAL PLUS C-1500 25HP 400/690 50Hz	76916	1	314	0,550

PERFORMANCE CURVES

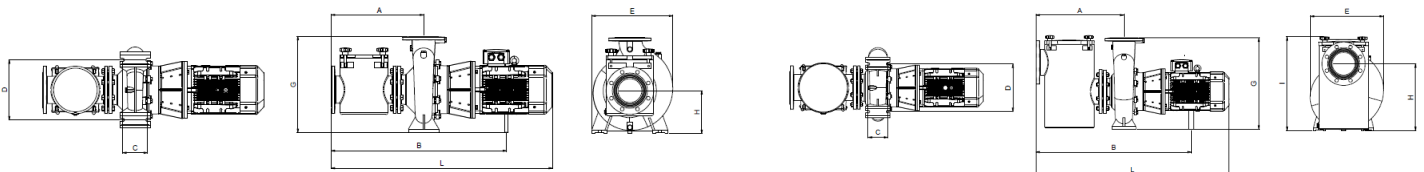
ARAL PLUS C-1500



ARAL PLUS C-1500 CENTRIFUGAL PUMPS

76905 / 76906 / 76907 / 76908 / 76909 / 76910 / 76911 / 76912

76913 / 76914 / 76915 / 76916



TECHNICAL FEATURES

Code	Power			Suction Connection	Delivery Connection	mwc								
						6	8	10	12	14	16	18	20	22
						m³/h								
		A	A											
76905	2.20 kW (3 HP)	7.9	4,5	100	50	54	48	42	36	28	17	-	-	-
76906	3 kW (4 HP)	10.5	6	100	80	73	66	55	46	33	11	-	-	-
76907	3 kW (4 HP)	6.1	3.5	100	80	73	66	55	46	33	11	-	-	-
76908	4 kW (5.5 HP)	13.8	7.9	100	80	99	91	82	70	58	42	19	-	-
76909	4 kW (5.5 HP)	7.9	4.6	100	80	99	91	82	70	58	42	19	-	-
76910	5.5 kW (7.5 HP)	18.6	10.7	125	100	140	128	114	97	67	23	-	-	-
76911	5.5 kW (7.5 HP)	10.7	6.2	125	100	140	128	114	97	67	23	-	-	-
76912	7.5 kW (10 HP)	14.3	8.3	125	100	156	145	131	117	97	73	13	-	-
76913	9.2 kW (12.5 HP)	17.5	10.1	150	100	199	185	170	154	131	112	77	-	-
76914	11 kW (15 HP)	20.4	11.8	150	100	-	-	175	163	146	125	102	73	-
76915	15 kW (20 HP)	27.3	15.8	200	125	-	299	287	260	222	175	126	-	-
76916	18,5 kW (25 HP)	33.5	19.4	200	125	-	-	369	349	324	293	244	184	101

Code	Suction Connection	Delivery Connection	Dimensions (mm)								
			A	B	C	D	E	G	H	I	L
76905	100	50	400	726	95	250	340	405	180	-	908
76906	100	80	425	815	130	315	404	480	200	-	1024
76907	100	80	425	815	130	315	404	480	200	-	1024
76908	100	80	425	823	130	315	404	480	200	-	1053
76909	100	80	425	823	130	315	404	480	200	-	1053
76910	125	100	486	922	130	315	426	505	225	-	1163
76911	125	100	486	922	130	315	426	505	225	-	1163
76912	125	100	486	933	130	315	426	505	225	-	1185
76913	150	100	586	1033	130	315	426	505	417	610	1285
76914	150	100	586	1191	130	315	426	505	417	610	1394
76915	200	125	668	1317	130	315	487	605	490	698	1521
76916	200	125	668	1319	130	315	487	605	490	698	1578

ARAL PLUS STRAINERS

PRE-FILTER



Made in cast iron and strainer made in AISI-304.
Working pressure 2 bar. Flange connection are manufactured in accordance with DIN-2501 Standard.

MATERIALS

- Pre-filter housing and cover: Cast Iron.
- Strainer basket: Stainless Steel AISI-304.

	Code	Standard Pack	Standard weight (kg)	Standard volume (m ³)
ARAL PLUS STRAINER D210 65/65	76936	1	19,5	0,035
ARAL PLUS STRAINER D210 80/2B	76937	1	20,5	0,035
ARAL PLUS STRAINER D210 80/80	76938	1	20,5	0,035
ARAL PLUS STRAINER D210 100/65	76939	1	20,5	0,035
ARAL PLUS STRAINER D210 100/80	76940	1	21	0,035
ARAL PLUS STRAINER D210 100/100	76930	1	21,5	0,035
ARAL PLUS STRAINER D250 125/100	76931	1	35	0,044
ARAL PLUS STRAINER D250 125/125	76932	1	36	0,044
ARAL PLUS STRAINER D330 150/125	76933	1	76	0,115
ARAL PLUS STRAINER D330 150/150	76941	1	77	0,115
ARAL PLUS STRAINER D410 200/150	76934	1	96	0,185
ARAL PLUS STRAINER D410 200/200	76935	1	98	0,185