

D Submersible pumps for drainage

-  Clear waters
-  Domestic use
-  Civil use



PERFORMANCE RANGE

- Flow rate up to **300 l/min** (18 m³/h)
- Head up to **26 m**

INSTALLATION AND USE

Designed to **drain clear** or slightly dirty water, **D-Series** pumps are ideal for **domestic and civil applications**, including basement and garage flood mitigation, swimming pool and tank drainage, and non-sewage wastewater disposal. Known for their reliability, these pumps excel in automated fixed installations.

INCLUDES

- ※ Power cable length:
 - **5 m** for D8, D10, D20
 - **10 m** for D30
- ※ Float switch (exclusive to single-phase models)

APPLICATION LIMITS

- Depth below water level up to **5 m** (with an appropriately sized power cable)
- Liquid temperature up to **+40 °C**
- Capable of processing suspended solids up to **Ø 10 mm**
- Bottom drainage level up to **17 mm**
- **Minimum immersion for continuous service:**
 - **210 mm for D 8-10-20**
 - **250 mm for D 30**

AVAILABLE UPON REQUEST

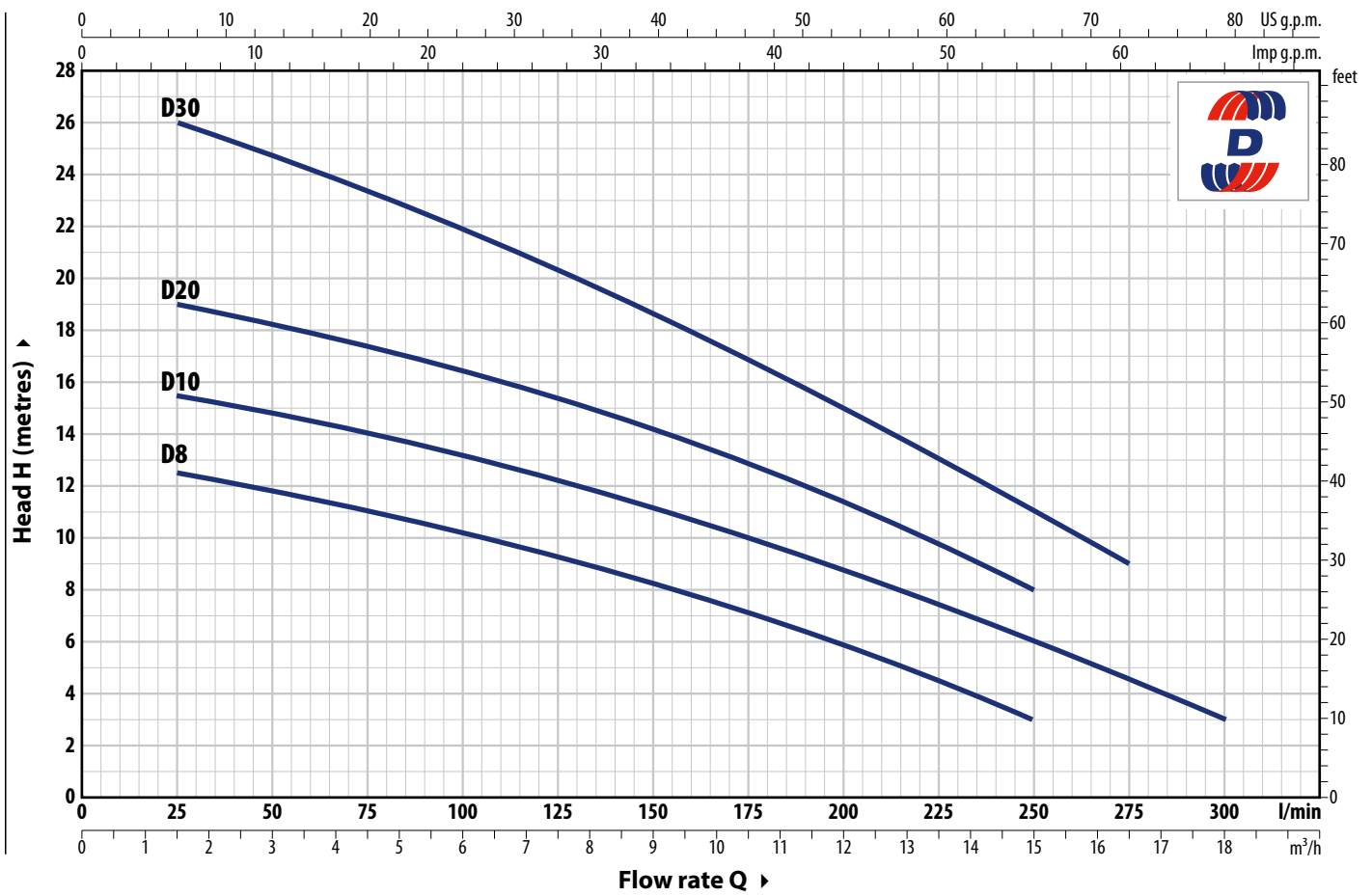
- ※ Pumps with **10 m** power cable.
- ※ Different voltage requirements 60 Hz frequency

PATENTS - TRADE MARKS - MODELS

- Patent No. EP2313658
- Patent No. IT0001428923

CURVES AND PERFORMANCE DATA

50 Hz



TYPE		POWER (P ₂)		Q	Flow rate																	
Single-ph.	Three-ph.	kW	HP		m ³ /h	0	1.5	3.0	4.5	6.0	7.5	9.0	10.5	12.0	13.2	15.0	16.5	18.0				
				l/min	0	25	50	75	100	125	150	175	200	220	250	275	300					
Dm 8	D 8	0.55	0.75	H metres	13	12.5	12	11	10	9	8	7	6	4.7	3							
Dm 10	D 10	0.75	1		16	15.5	15	14	13.2	12.2	11.2	10	8.8	7.8	6	4.5	3					
Dm 20	D 20	0.75	1		20	19	18.5	17.5	16.5	15.5	14.3	13	11.5	10	8							
Dm 30	D 30	1.1	1.5		26	26	25	23.5	22	20.5	18.7	17	15	13.5	11	9						

Q = Flow rate H = Total manometric head

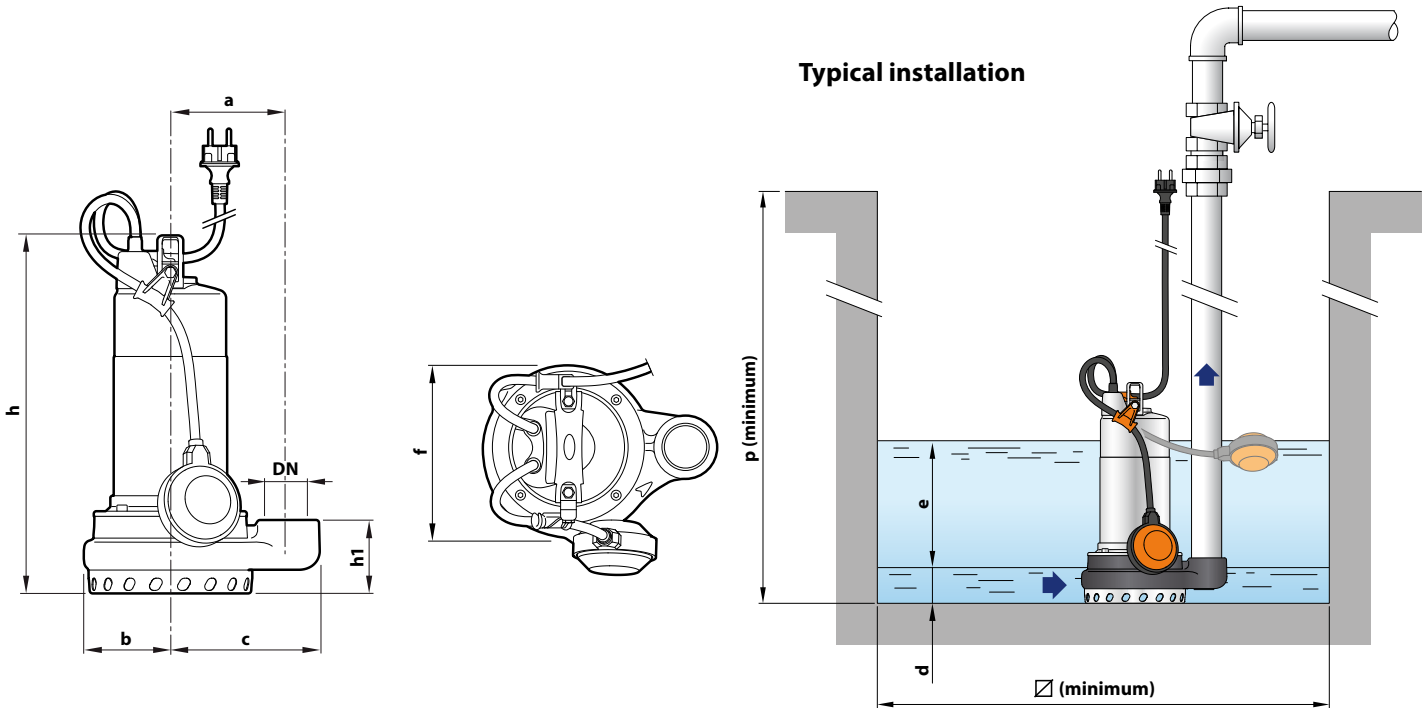
Performance curves comply with EN ISO 9906 Grade 3B tolerance limits.

ABSORPTION

TYPE	VOLTAGE
Single-ph.	230 V
Dm 8	3.4 A
Dm 10	5.0 A
Dm 20	5.5 A
Dm 30	7.3 A

TYPE	VOLTAGE
Three-ph.	400 V
D 8	1.4 A
D 10	2.0 A
D 20	2.2 A
D 30	3.0 A

DIMENSIONS AND WEIGHT



TYPE		PORT DN	DIMENSIONS mm										kg	
Single-ph.	Three-ph.		a	b	c	f	h	h1	d	e	p	∅	1~	3~
Dm 8	D 8	1½"	115	85	147	177	338	73	17	adjustable	500	500	12.8	11.7
Dm 10	D 10						353						14.0	12.9
Dm 20	D 20						390						14.0	12.9
Dm 30	D 30			93			195	84					17.4	16.0

PALLET CAPACITY

TYPE		NO. OF PUMPS
Single-ph.	Three-ph.	
Dm 8	D 8	60
Dm 10	D 10	60
Dm 20	D 20	60
Dm 30	D 30	60

MATERIALS AND COMPONENTS

1 Pump body	Cast iron with cathaphoresis treatment, provided with ISO 228/1 threaded port
2 Suction filter	Stainless steel AISI 304
3 Suction cover	Stainless steel AISI 304
4 Impeller	Open type in technopolymer
5 Motor sleeve	Stainless steel AISI 304
6 Motor cover	AISI 304 stainless steel for D 8-10-20 Cast iron with cathaphoresis treatment for D 30
7 Motor shaft	Stainless steel AISI 431

8 Double shaft seal with interposed oil chamber

Water pump	Seal	Shaft	Location	Materials
D8, D10, D20	MG1-14D SIC	Ø 14 mm	Motor side	SiC / Graphite / NBR
			Pump side	SiC / SiC / NBR
D30	ST1-14 SIC	Ø 14 mm		Ceramic / SiC / NBR
	Shaft seal	Ø 16 x Ø 24 x H 5 mm		

9 Capacitor

(exclusive to single-phase models)

10 Electric motor

Dm: single-phase 230 V - 50 Hz with winding integrated thermal motor protection

D: three-phase 400 V - 50 Hz

- Insulation: class F
- Protection rating: IP X8

11 Power cord

Type 'H07 RN-F
(Schuko plug exclusive to single-phase models)
✳ Standard length 5 metres (10 metres for D30)

12 Float switch (exclusive to single-phase models)

13 Tilting device for the float cable (exclusive to single-phase models)

Patent No. IT0001428923

14 Power cable strain relief

Patent No. EP2313658

