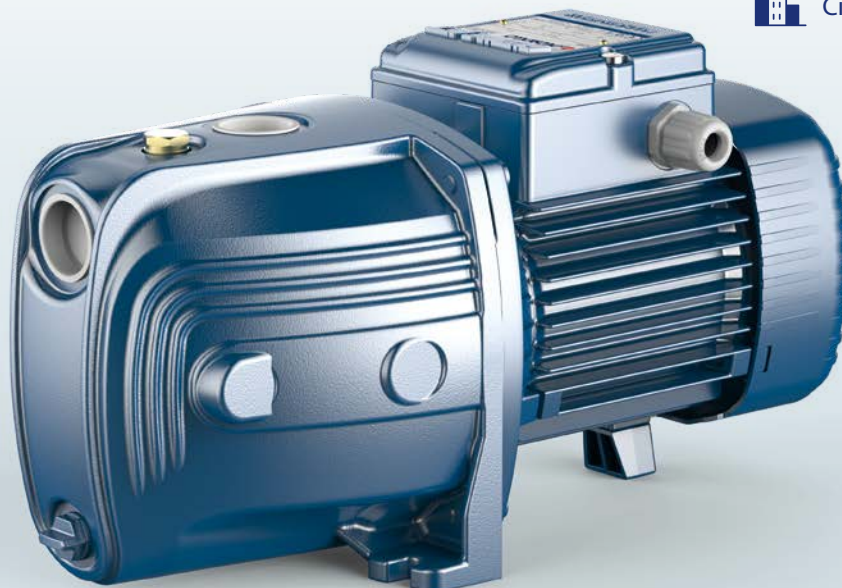


-  Clean water
-  Domestic use
-  Civil use

※ Reduction of energy consumption by up to 50%



From an evolution of the classic JET concept, a SUPER JET was born.

- ※ High hydraulic efficiency
- ※ Better consumption/performance ratio
- ※ Reducing turbulence
- ※ Noise reduction

PERFORMANCE RANGE

- Flow rate up to **120 l/min** (7.2 m³/h)
- Head up to **72 m**

FUTURE JET

Developed by our innovative research and development team, this pump revolutionizes the classic self-priming design.

With an international registered patent, the **FUTURE JET** not only matches the pressure of a traditional JET pump, it surpasses it. Moreover, it doubles the flow rate while reducing energy consumption by up to 50%.

INSTALLATION AND USE

FUTURE JET self-priming pumps are designed to draw water and liquids that contain air.

They are reliable and easy to operate. They are a favorite for domestic use, particularly effective for water distribution with small to medium-sized pressure tanks and suitable for irrigation.

APPLICATION LIMITS

- Manometric suction head up to **9 m** (HS)
- Liquid temperature between **-10 °C** and **+40 °C**
- Ambient temperature up to **+40 °C**
- Maximum working pressure:
 - **6 bar** for FUTURE JET 1
 - **7 bar** for FUTURE JET 2

AVAILABLE UPON REQUEST

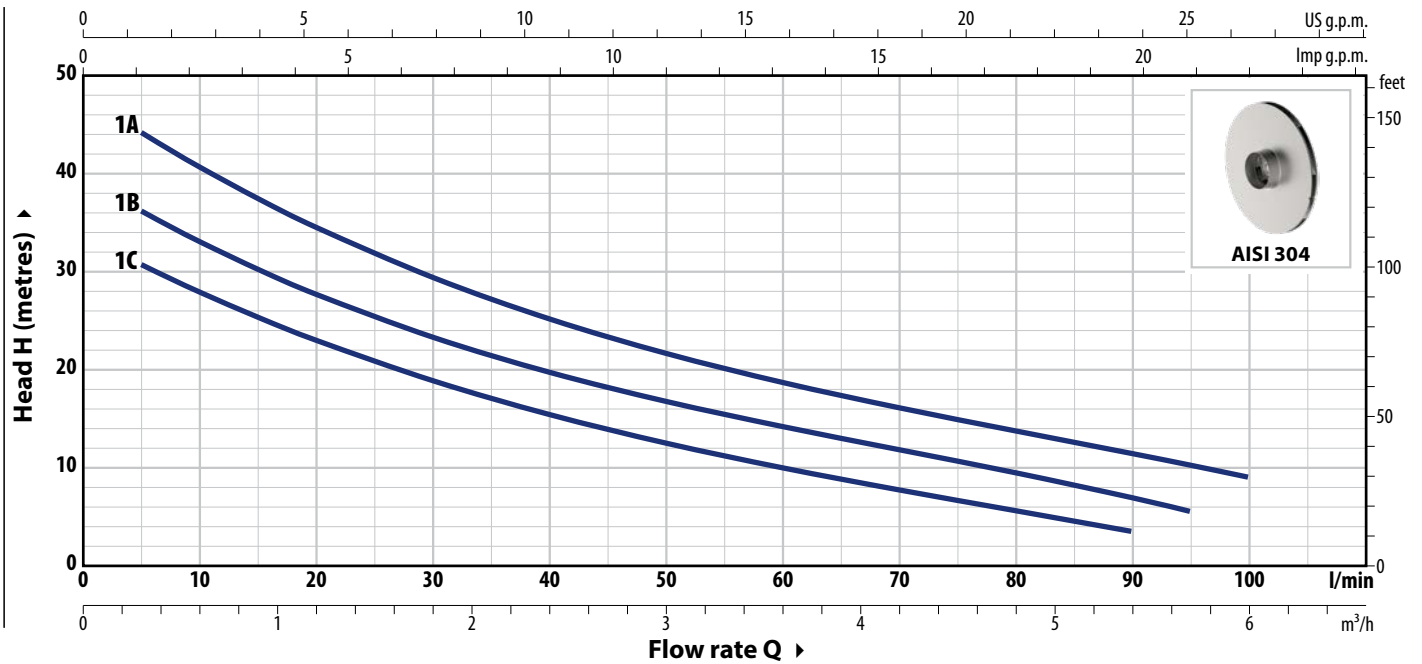
- ※ Technopolymer impeller (cost-effective version)
- ※ Different voltage requirements 60 Hz frequency

PATENTS - TRADE MARKS - MODELS

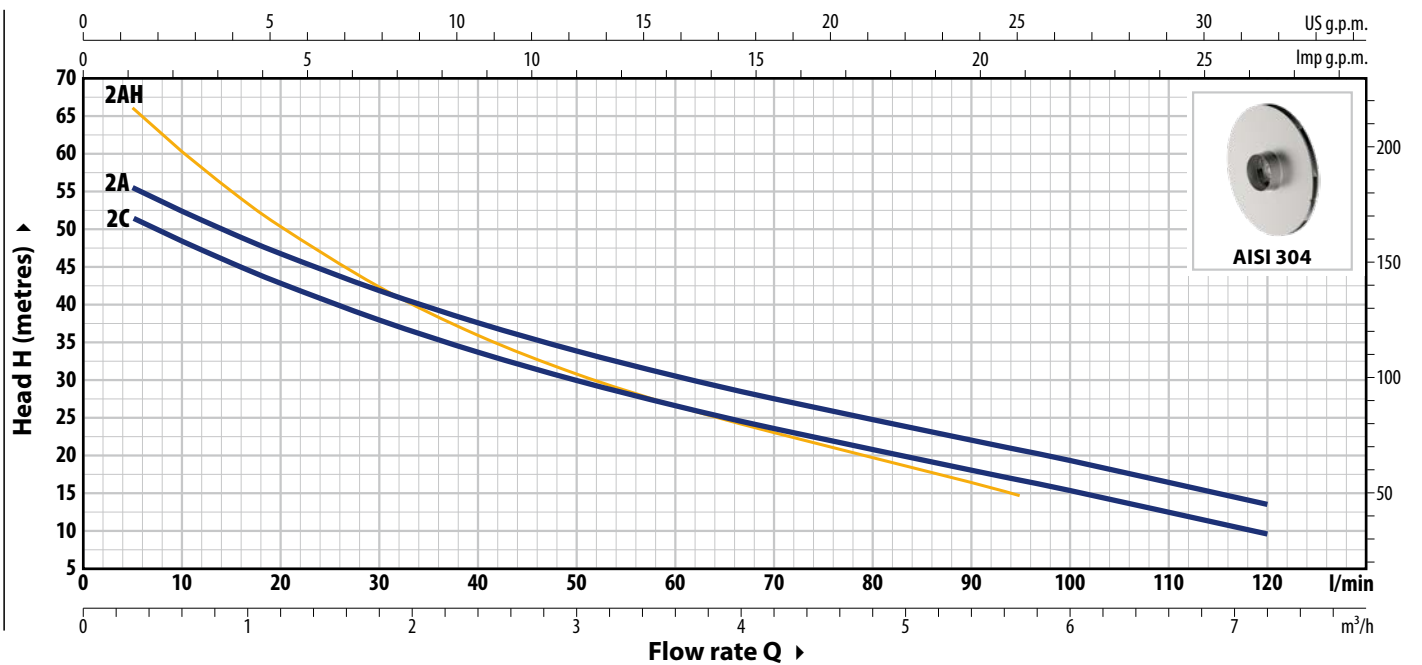
- FUTURE JET® Registered Trade mark No. 018198453
- Registered Community Model No. 002218610
- European Patent No. 1 510 696
- Patent No. PCT/IT2019/050168

CURVES AND PERFORMANCE DATA – HS=0 m

50 Hz



TYPE		POWER (P ₂)		1~3~	Q	m ³ /h										
Single-phase	Three-phase	kW	HP			0	0.3	0.6	1.2	2.4	3.6	4.8	5.4	5.7	6.0	
FUTURE JETm 1C	FUTURE JET 1C	0.37	0.50	IE2 IE3	H metres	33.5	30.5	28	23	15.4	10	6	3.5			
FUTURE JETm 1B	FUTURE JET 1B	0.48	0.65			40	36	33	27.6	19.7	14.2	9.5	7	5.5		
FUTURE JETm 1A	FUTURE JET 1A	0.55	0.75			48	44	40.6	34.5	25.2	18.7	13.7	11.4	10.2	9	



TYPE		POWER (P ₂)		1~3~	Q	m ³ /h												
Single-phase	Three-phase	kW	HP			0	0.3	0.6	1.2	2.4	3.6	4.8	5.4	5.7	6.0	7.2		
FUTURE JETm 2C	FUTURE JET 2C	0.75	1	IE2 IE3	H metres	55	52	49	43	34	27	20.5	18.3	17	15.5	10		
FUTURE JETm 2A	FUTURE JET 2A	0.90	1.25			59	56	53	47	38	32	25	22.3	21	19.5	13.7		
FUTURE JETm 2AH	FUTURE JET 2AH	0.90	1.25			72	66	60	50.5	36	27	20	16.8	15				

Q = Flow rate H = Total manometric head HS = Suction height

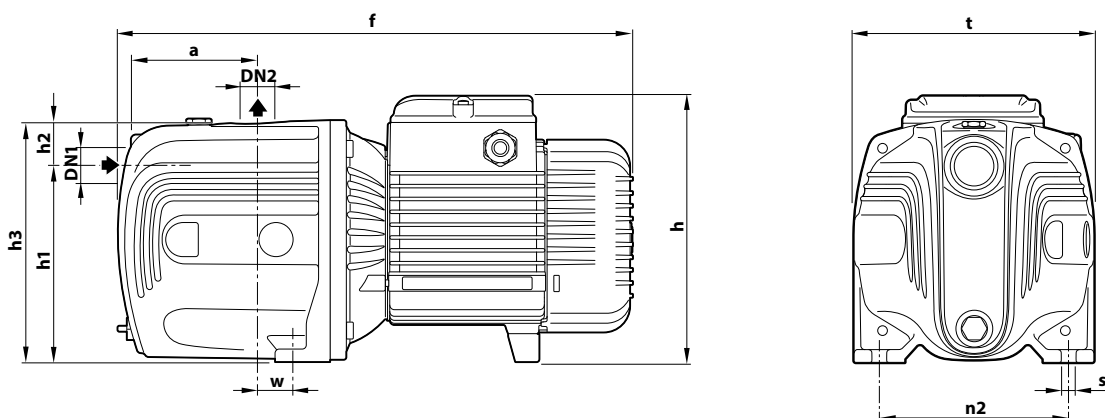
Performance curves comply with EN ISO 9906 Grade 3B tolerance limits.

ABSORPTION

TYPE	VOLTAGE
Single-phase	230 V
FUTURE JETm 1C	2.6 A
FUTURE JETm 1B	3.2 A
FUTURE JETm 1A	4.0 A
FUTURE JETm 2C	5.8 A
FUTURE JETm 2A	6.6 A
FUTURE JETm 2AH	6.6 A

TYPE	VOLTAGE	
	230 V - Δ	400 V - 人
FUTURE JET 1C	1.7 A	1.0 A
FUTURE JET 1B	2.1 A	1.2 A
FUTURE JET 1A	2.8 A	1.6 A
FUTURE JET 2C	4.7 A	2.7 A
FUTURE JET 2A	5.2 A	3.0 A
FUTURE JET 2AH	5.2 A	3.0 A

DIMENSIONS AND WEIGHT



TYPE		PORTS		DIMENSIONS mm										kg	
Single-phase	Three-phase	DN1	DN2	a	f	h	h1	h2	h3	t	n2	w	s	1~	3~
FUTURE JETm 1C	FUTURE JET 1C	1"	1"	94	357	173	127	35	162	158	124	24	10	9.7	9.7
FUTURE JETm 1B	FUTURE JET 1B													9.8	9.8
FUTURE JETm 1A	FUTURE JET 1A													10.7	10.0
FUTURE JETm 2C	FUTURE JET 2C			96	391	201 *	147	33	180	180	142	22	10	14.5	14.5
FUTURE JETm 2A	FUTURE JET 2A													15.5	14.5
FUTURE JETm 2AH	FUTURE JET 2AH													15.5	14.5

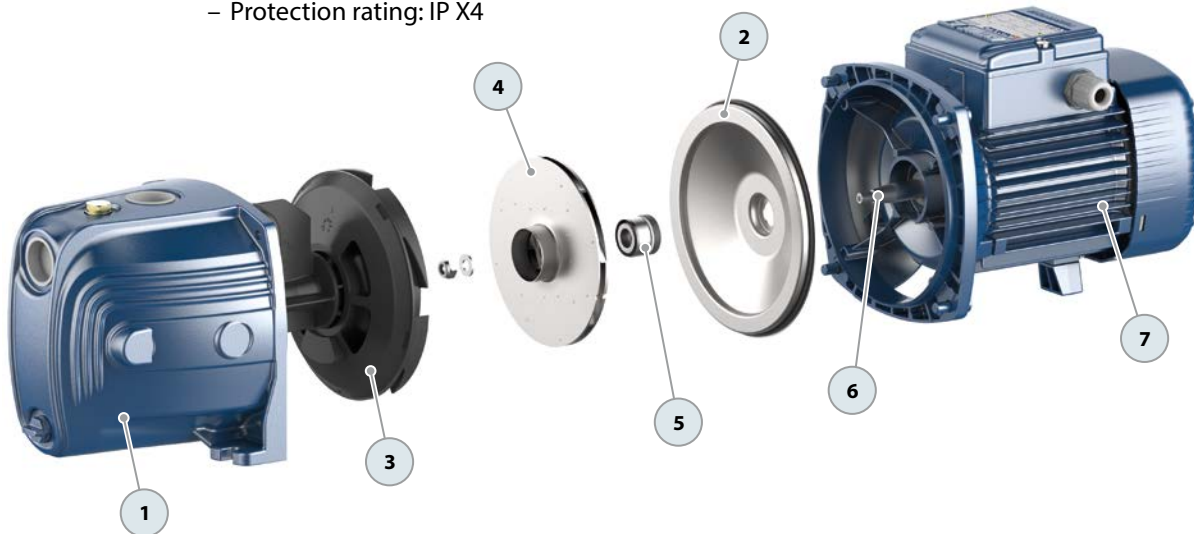
(*) h=220 mm for single-phase 110 V versions

PALLET CAPACITY

TYPE		NO. OF PUMPS
Single-phase	Three-phase	
FUTURE JETm 1C	FUTURE JET 1C	98
FUTURE JETm 1B	FUTURE JET 1B	98
FUTURE JETm 1A	FUTURE JET 1A	98
FUTURE JETm 2C	FUTURE JET 2C	72
FUTURE JETm 2A	FUTURE JET 2A	72
FUTURE JETm 2AH	FUTURE JET 2AH	72

MATERIALS AND COMPONENTS

1 Pump body	FUTURE JET 1: cast iron with cataphoretic treatment, provided with ISO 228/1 threaded ports FUTURE JET 2: cast iron with ISO 228/1 threaded ports start of production with new design 07.2024			
2 Cover	Stainless steel AISI 304			
3 Ejector unit	Noryl™			
4 Impeller	Stainless steel AISI 304			
5 Mechanical seal	Water pump	Seal	Shaft	Materials
	FUTURE JET 1	AR-12	Ø 12 mm	Ceramic / Graphite / NBR
	FUTURE JET 2	AR-14	Ø 14 mm	Ceramic / Graphite / NBR
6 Motor shaft	Stainless steel AISI 431			
7 Electric motor	FUTURE JETm: single-phase 230 V - 50 Hz with winding integrated thermal motor protection FUTURE JET: three-phase 230/400 V - 50 Hz ※ Pumps are equipped with high-efficiency motors (IEC 60034-30-1) class IE2 for single-phase models class IE3 for three-phase models – Continuous running duty S1 – Insulation: CLASS F – Protection rating: IP X4			



EXAMPLES OF INSTALLATION

