

GENERGY

GZE-1018



2014/30/EU (EN55032:2015/A11:2020-EN55035:2017/A11:2020-EN IEC 61000-3-2:2019-EN61000-3-3:2013+A1:2019)
EMC 2014/35/EU (EN62368-1:2014+A11:2017) LVD 2011/65/EU RoHS UN38.3

FICHA TÉCNICA - TECHNICAL DATA SHEET





| | MODELO | GZE-1018 |
|--|---|---|
| | Capacidad / Capacity | 1024Wh |
| | Tipo de batería / Battery Type | LiFePO4 |
| | Ciclo de vida de batería / Battery Lifecycle | 4000 ciclos > 70% - 3500 ciclos > 80% |
| SALIDAS/OUTPUT | Salida 230V / 230V output | 1800W |
| | Pico 230V / 230V output | 2200W |
| | Salida energía / Power Output | Pure sine wave |
| | SCHUKO 230V | 2 |
| | USB-C Max 100W | 1 |
| | USB-QC 3.0 Max 22.5W | 1 |
| | Puerto coche / Car ports | 1 (12V/10A) |
| | Salida CC XT60/ DC XT60 output | 1 (12V/10A) |
| | Powerbank con carga inalámbrica extraíble | 6400mAh/24Wh |
| | Puertos totales / Total No Ports | 6 |
| ENTRADAS/ INPUT | Entrada 230V / 230V Input | 1000W |
| | Tiempo de carga completa / Full charging time | 1.2h (72Min) |
| | Entrada CC panel solar / Input CC solar panel | XT60-600W 12/80V 10A |
| | Control panel solar / Panel solar controller | MPPT |
| | Panel solar compatible / Recommended solar panel | 3xGZE200W |
| | Tiempo de carga desde panel / Panel solar charging time | 2h |
| Carga-salida simultánea / Simultaneous Charging-Output | Si | |
| | Medidas / Size | 388x248x311mm |
| | Peso / Weight | 14kg |
| | Accesorios / Accessories | Cables carga AC- Manual / AC charging line - Manual |
| | Referencia / Reference | 31690 |

DESTACADO / HIGHLIGHT

Cargador inalámbrico extraíble.

Carga ultrarrápida en 75 minutos.

Batería **LifePO4** de última generación: 4000 ciclos > 70% - 3500 ciclos > 80%.

BMS: Sistema inteligente para la gestión de la batería.

MPPT: Seguidor de punto de máxima potencia, mayor rendimiento de carga desde paneles solares.

Removable wireless charger.

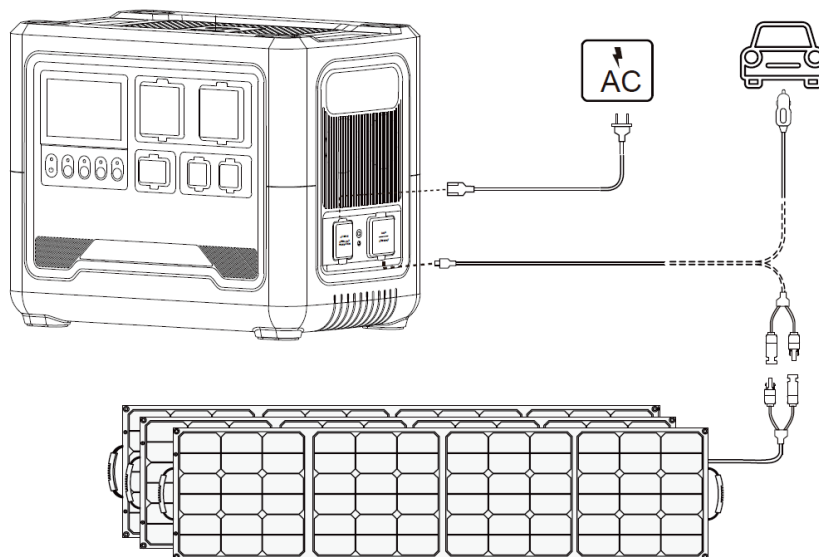
Ultra-fast charging in 75 minutes.

Latest generation **LifePO4** battery: 4000 cycles > 70% - 3500 cycles > 80%.

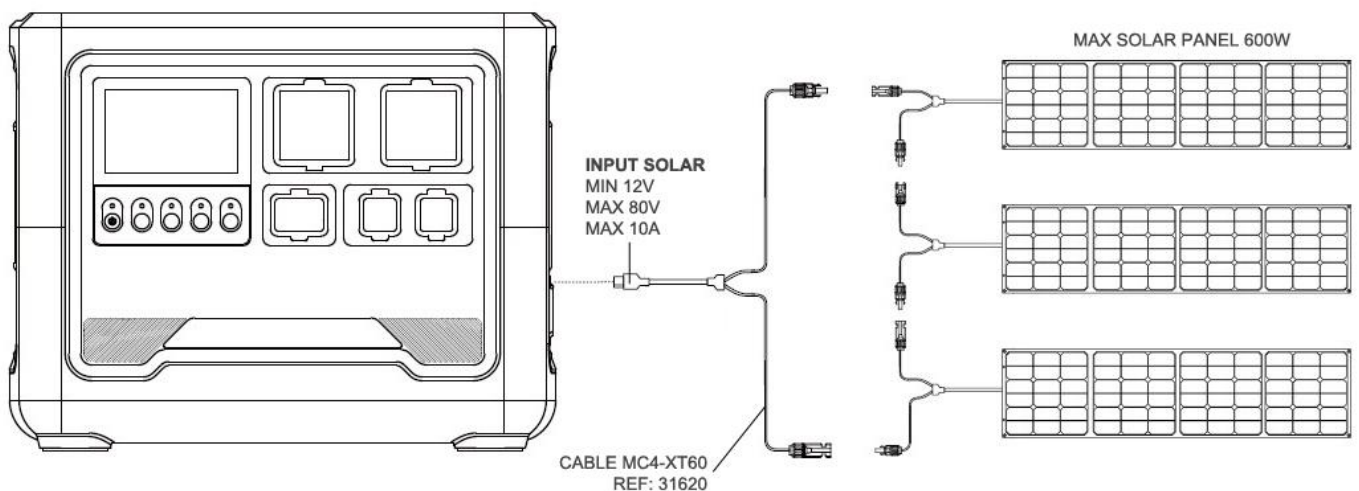
BMS: Intelligent system for battery management.

MPPT: Maximum Power Point Tracker, higher charging performance from solar panels.

FORMAS DE CARGA / CHARGING METHODS

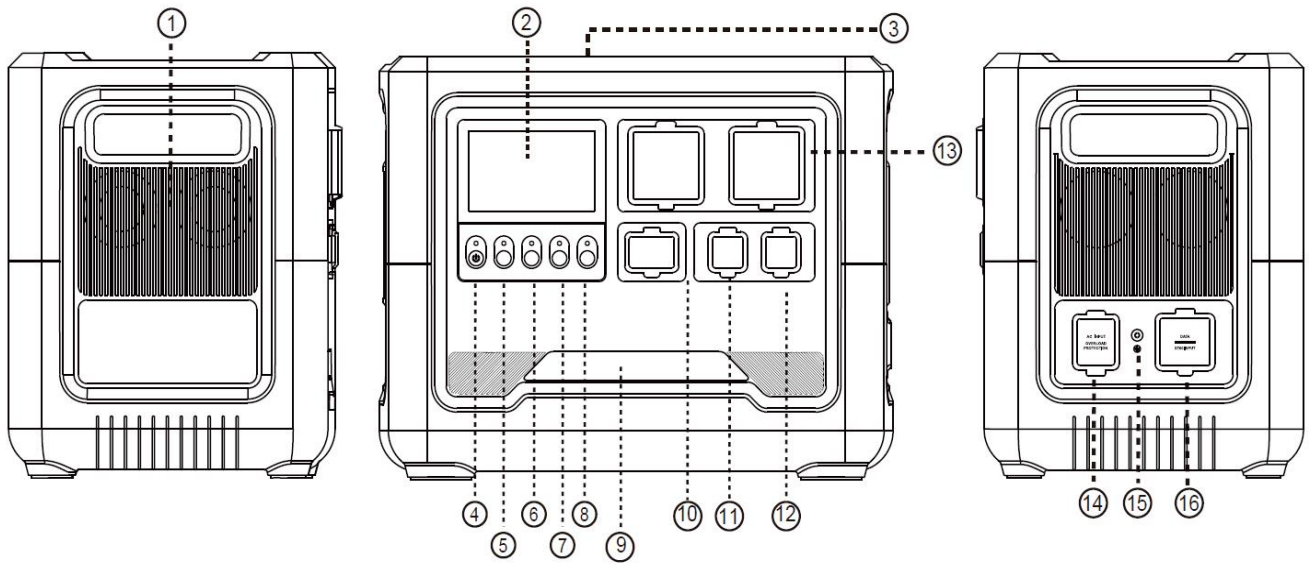


CONEXIÓN PANEL SOLAR / SOLAR PANEL CONECTION



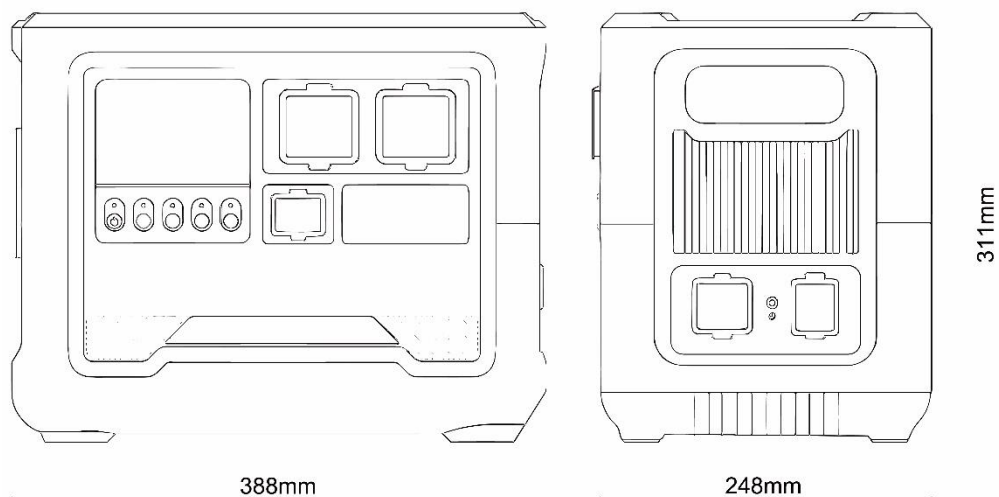
Nota: El cable y los paneles solares se venden por separado

COMPONENTES / COMPONENTS

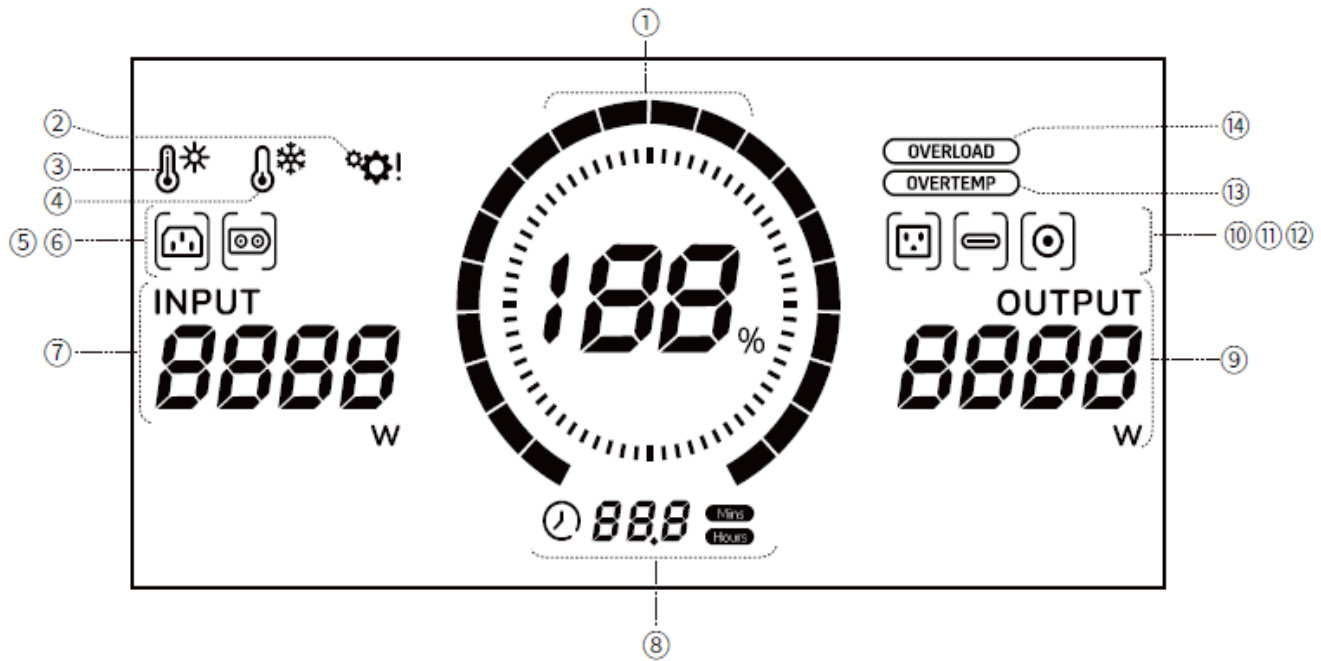


| | | |
|---------|----------------------------------|---------------------------------|
| ESPAÑOL | 1- Rejilla refrigeración | 9- Led |
| | 2- Pantalla LCD | 10- Salida USB A-C |
| | 3- Cargador inalámbrico | 11- Salida XT60 |
| | 4- Botón encendido general | 12- Salida mechero |
| | 5- Botón encendido salida AC230V | 13- Salida AC230V |
| | 6- Botón encendido salida USB | 14- Entrada AC230V |
| | 7- Botón encendido salida DC | 15- Conexión de tierra |
| | 8- Encendido iluminación LED | 16- Entrada solar/mechero coche |
| INGLÉS | 1- Cooling grill fan | 9- Led |
| | 2- LCD screen | 10- USB A-C Output |
| | 3- Wireless charger | 11- XT60 Output |
| | 4- General ON/OFF button | 12- Car Power Output |
| | 5- Power AC230V button | 13- AC230V Output |
| | 6- Power USB button | 14- AC230V input |
| | 7- Power DC button | 15- Grounding connection |
| | 8- Led light ON/OFF | 16- Car&Solar Input |

DIMENSIONES / SIZE



PANEL CONTROL / CONTROL PANEL



| | | | | | | |
|--------------------------------|---|--|--|---|-------|----------------------------|
| Battery Information Indication | ① | | Battery Capacity | | | |
| Input Indication | ⑤ | | AC Input | ⑦ | | Current Input Power |
| | ⑥ | | Solar Input | | | |
| Output Indication | ⑨ | | Current Output Power | ⑪ | | USB Output Icon |
| | ⑩ | | AC Output Icon | ⑫ | | DC/Car Charger Output Icon |
| Remaining Time Indication | ⑧ | | Remaining Discharge /Battery Full Time | ⑧ | Mins | Minutes |
| | | | | ⑧ | Hours | Hours |
| Protection Indication | ② | | System Fault Indicator | ⑬ | | Overheat Protection |
| | ③ | | High Temperature | ⑭ | | Overload Protection |
| | ④ | | Low Temperature | | | |