

-  Clean water
-  Domestic use
-  Civil use



PERFORMANCE RANGE

- Flow rate up to **70 l/min** (4.2 m³/h)
- Head up to **60 m**

INSTALLATION AND USE

JCR self-priming pumps are designed to draw water and liquids that contain air.

They are reliable and easy to operate. They are a favorite for domestic use, particularly effective for water distribution with small to medium-sized pressure tanks and suitable for irrigation.

APPLICATION LIMITS

- Manometric suction head up to **9 m** (HS)
- Liquid temperature between **-10 °C** and **+40 °C**
- Ambient temperature up to **+40 °C**
- Maximum working pressure **6 bar**

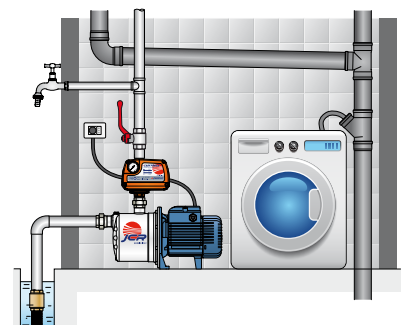
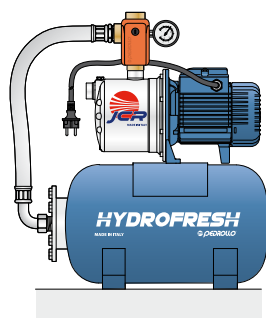
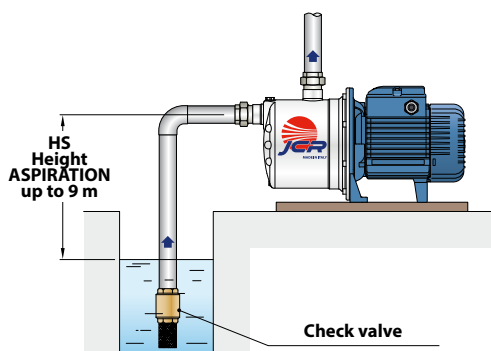
AVAILABLE UPON REQUEST

- ✘ Different voltage requirements 60 Hz frequency
- ✘ Certified pumps 

PATENTS - TRADE MARKS - MODELS

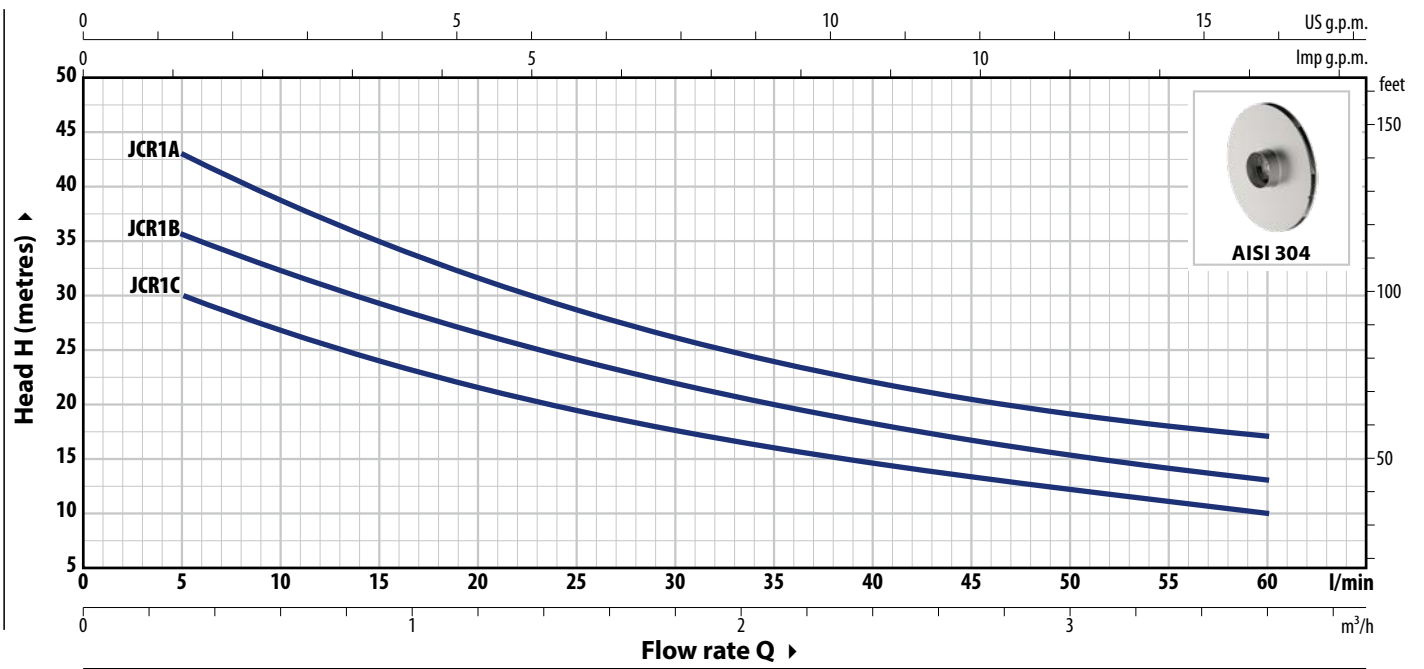
- European Patent No. 1 510 696

EXAMPLES OF INSTALLATION

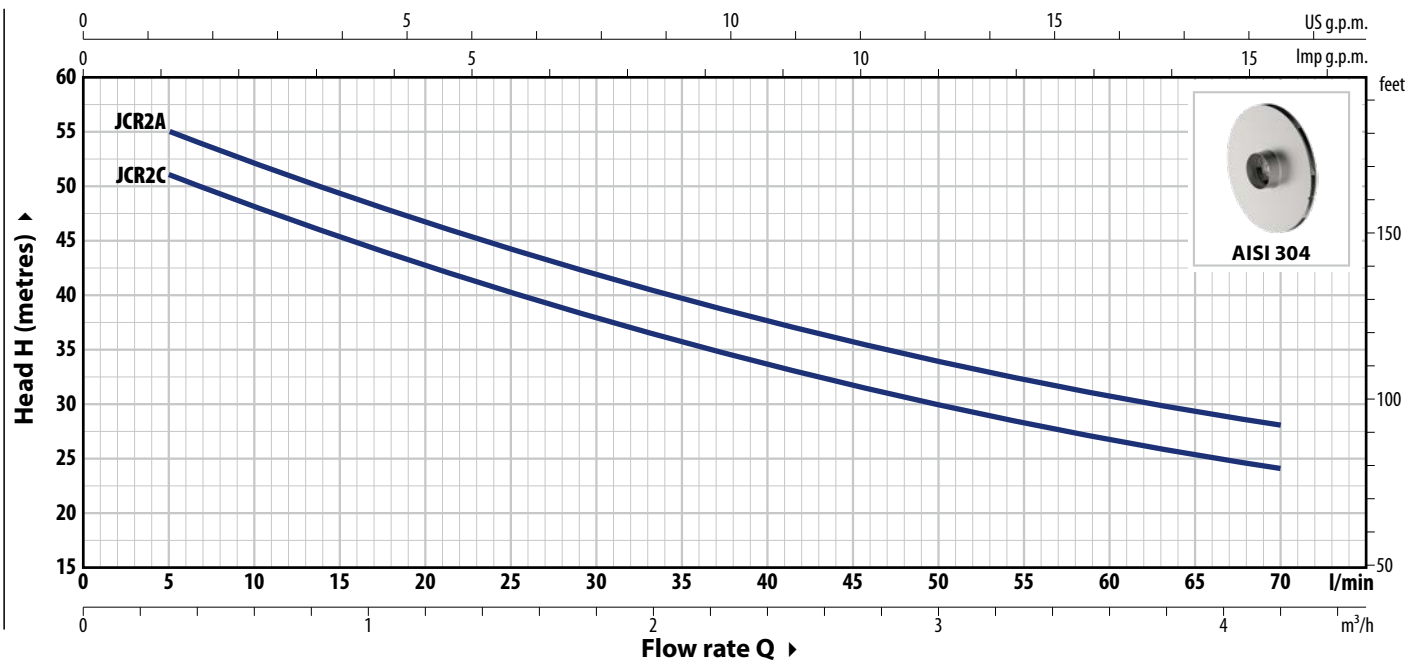


CURVES AND PERFORMANCE DATA – HS=0 m

50 Hz



| TYPE | | POWER (P ₂) | | 1~3~ | Q | m ³ /h | | | | | | | | | | |
|------------|-----------|-------------------------|------|---------|----------|-------------------|------|------|------|------|------|------|------|------|-----|--|
| Single-ph. | Three-ph. | kW | HP | | | 0 | 0.3 | 0.6 | 1.2 | 1.5 | 1.8 | 2.4 | 2.7 | 3.0 | 3.6 | |
| | | | | | | 0 | 5 | 10 | 20 | 25 | 30 | 40 | 45 | 50 | 60 | |
| JCRm 1C | JCR 1C | 0.37 | 0.50 | IE2 IE3 | H metres | 34 | 30 | 27 | 21.7 | 19.5 | 17.7 | 14.7 | 13.4 | 12.2 | 10 | |
| JCRm 1B | JCR 1B | 0.48 | 0.65 | | | 39.5 | 35.5 | 32.4 | 26.6 | 24.2 | 22 | 18.3 | 16.7 | 15.3 | 13 | |
| JCRm 1A | JCR 1A | 0.55 | 0.75 | | | 48 | 43 | 39 | 31.5 | 28.5 | 26 | 22 | 20.5 | 19 | 17 | |



| TYPE | | POWER (P ₂) | | 1~3~ | Q | m ³ /h | | | | | | | | | | |
|------------|-----------|-------------------------|------|---------|----------|-------------------|-----|-----|------|-----|------|------|-----|------|-----|--|
| Single-ph. | Three-ph. | kW | HP | | | 0 | 0.3 | 0.6 | 1.2 | 1.8 | 2.4 | 2.7 | 3.0 | 3.6 | 4.2 | |
| | | | | | | 0 | 5 | 10 | 20 | 30 | 40 | 45 | 50 | 60 | 70 | |
| JCRm 2C | JCR 2C | 0.75 | 1 | IE2 IE3 | H metres | 54 | 51 | 48 | 42.5 | 38 | 33.5 | 31.5 | 30 | 26.5 | 24 | |
| JCRm 2A | JCR 2A | 0.90 | 1.25 | | | 58 | 55 | 52 | 46.5 | 42 | 37.5 | 35.5 | 34 | 31 | 28 | |

Q = Flow rate H = Total manometric head HS = Suction height

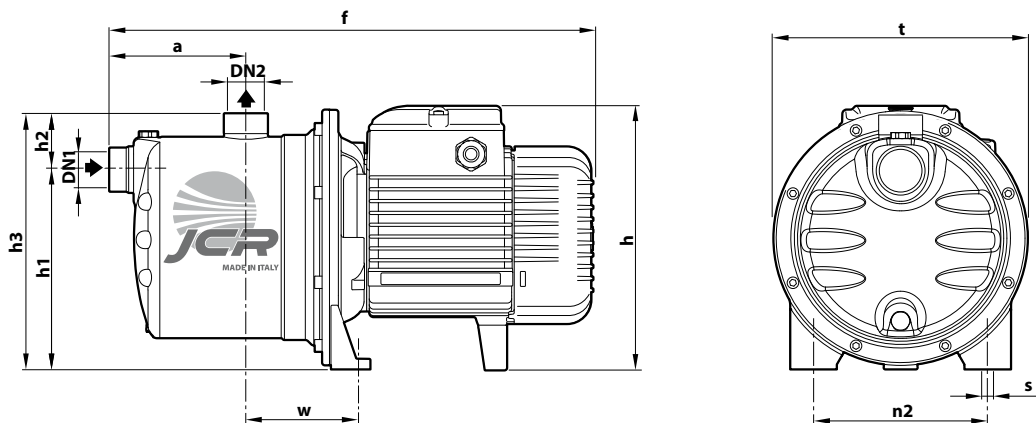
Performance curves comply with EN ISO 9906 Grade 3B tolerance limits.

ABSORPTION

| TYPE | VOLTAGE |
|-------------------|--------------|
| Single-ph. | 230 V |
| JCRm 1C | 2.6 A |
| JCRm 1B | 3.2 A |
| JCRm 1A | 3.6 A |
| JCRm 2C | 5.8 A |
| JCRm 2A | 6.2 A |

| TYPE | VOLTAGE | |
|------------------|------------------|------------------|
| Three-ph. | 230 V - Δ | 400 V - 人 |
| JCR 1C | 1.7 A | 1.0 A |
| JCR 1B | 2.1 A | 1.2 A |
| JCR 1A | 2.8 A | 1.6 A |
| JCR 2C | 4.7 A | 2.7 A |
| JCR 2A | 5.2 A | 3.0 A |

DIMENSIONS AND WEIGHT



| TYPE | | PORTS | | DIMENSIONS mm | | | | | | | | | | kg | |
|------------|-----------|-------|-----|---------------|-----|-------|-----|----|-----|-----|-----|----|----|------|------|
| Single-ph. | Three-ph. | DN1 | DN2 | a | f | h | h1 | h2 | h3 | t | n2 | w | s | 1~ | 3~ |
| JCRm 1C | JCR 1C | 1" | 1" | 113 | 367 | 183 | 132 | 51 | 183 | 182 | 120 | 87 | 9 | 7.1 | 7.1 |
| JCRm 1B | JCR 1B | | | | | | | | | | | | | 7.1 | 7.1 |
| JCRm 1A | JCR 1A | | | | | | | | | | | | | 7.8 | 7.1 |
| JCRm 2C | JCR 2C | 1" | 1" | 111 | 393 | 217 * | 162 | 46 | 208 | 208 | 142 | 91 | 10 | 11.2 | 11.2 |
| JCRm 2A | JCR 2A | | | | | | | | | | | | | 12.0 | 11.2 |

(*) h=236 mm for single-phase 110 V versions

PALLET CAPACITY

| TYPE | | NO. OF PUMPS |
|------------|-----------|--------------|
| Single-ph. | Three-ph. | |
| JCRm 1C | JCR 1C | 84 |
| JCRm 1B | JCR 1B | 84 |
| JCRm 1A | JCR 1A | 84 |
| JCRm 2C | JCR 2C | 60 |
| JCRm 2A | JCR 2A | 60 |

MATERIALS AND COMPONENTS

1 Pump body Stainless steel **AISI 304**, provided with ISO 228/1 threaded ports

2 Cover Stainless steel **AISI 304**

3 Ejector unit Noryl™

4 Impeller Stainless steel **AISI 304**

| 5 Mechanical seal | Water pump | Seal | Shaft | Materials |
|-------------------|--------------|--------------|--------------------------|--------------------------|
| | JCR1 | AR-12 | Ø 12 mm | Ceramic / Graphite / NBR |
| JCR2 | AR-14 | Ø 14 mm | Ceramic / Graphite / NBR | |

6 Motor shaft Stainless steel **AISI 431**

7 Electric motor

JCRm: single-phase 230 V - 50 Hz with winding integrated thermal motor protection
JCR: three-phase 230/400 V - 50 Hz

※ Pumps are equipped with high-efficiency motors (IEC 60034-30-1)
 class **IE2** for single-phase models
 class **IE3** for three-phase models

- Continuous running duty **S1**
- Insulation: CLASS F
- Protection rating: IP X4

