

-  Clean water
-  Domestic use
-  Civil use
-  Industrial use



PERFORMANCE RANGE

- Flow rate up to **160 l/min** (9.6 m³/h)
- Head up to **97 m**

INSTALLATION AND USE

JSW self-priming pumps are designed to draw water and liquids that contain air.

They are reliable and easy to operate. They are a favorite for domestic use, particularly effective for water distribution with small to medium-sized pressure tanks and suitable for irrigation.

APPLICATION LIMITS

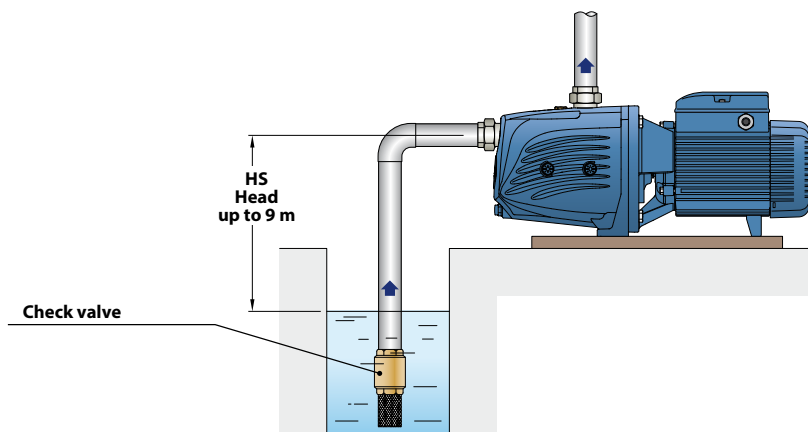
- Manometric suction head up to **9 m (HS)**
- Liquid temperature between **-10 °C** and **+40 °C**
- Ambient temperature up to **+40 °C**
- Maximum working pressure **10 bar**

AVAILABLE UPON REQUEST

- ✘ IPX5 protection
- ✘ Different voltage requirements 60 Hz frequency

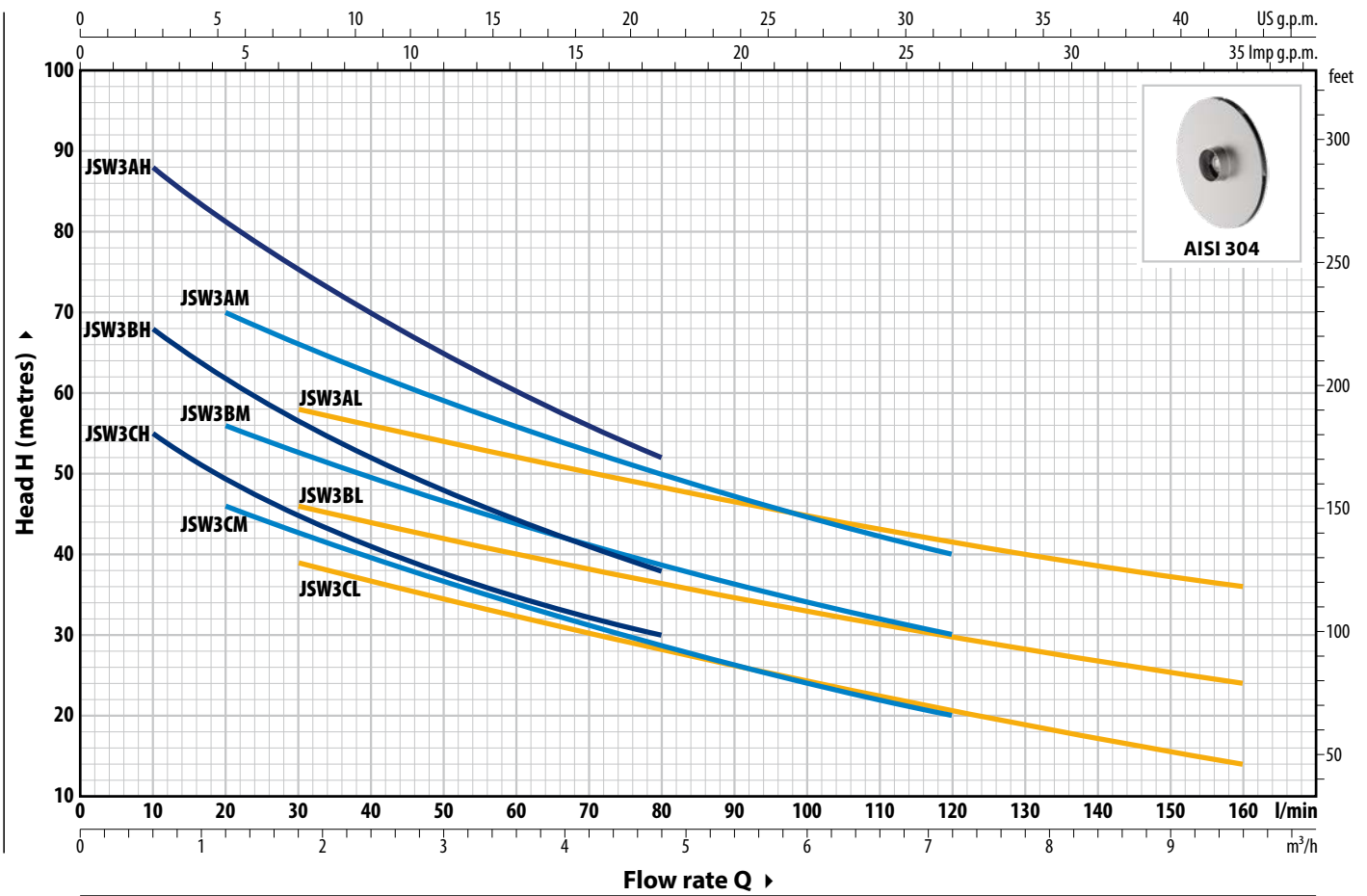
PATENTS - TRADE MARKS - MODELS

- JSW®Registered trademark No. 013073135
- Registered Community Model No. 002218610



CURVES AND PERFORMANCE DATA – HS=0 m

50 Hz



TYPE		POWER (P ₂)		1~3~	Q	m ³ /h															
Single-ph.	Three-ph.	kW	HP			0	0.6	1.2	1.8	2.4	3.0	3.6	4.2	4.8	6.0	7.2	8.4	9.6			
					Q	0	10	20	30	40	50	60	70	80	100	120	140	160			
JSWm 3CH	JSW 3CH	1.1	1.5	IE2 IE3	H metres	62	55	49	45	41	38	35	32	30							
JSWm 3BH	JSW 3BH	1.5	2			73	68	62	56.5	52	48	44	41	38							
JSWm 3AH	JSW 3AH	2.2	3			97	88	81	75	70	65	60.5	56	52							
JSWm 3CM	JSW 3CM	1.1	1.5			54	-	46	43	39.5	36.5	34	31	28.5	24	20					
JSWm 3BM	JSW 3BM	1.5	2			63	-	56	53	49.5	47.5	44	41	39	34	30					
JSWm 3AM	JSW 3AM	2.2	3			78	-	70	66	62	59	56	53	50	45	40					
JSWm 3CL	JSW 3CL	1.1	1.5			44	-	-	39	37	34	32	30	28	24	21	17	14			
JSWm 3BL	JSW 3BL	1.5	2			51	-	-	46	44	42	40	38	36	33	30	27	24			
JSWm 3AL	JSW 3AL	2.2	3			64	-	-	58	56	54	52	50	48	45	41.5	38.5	36			

Q = Flow rate H = Total manometric head HS = Suction height

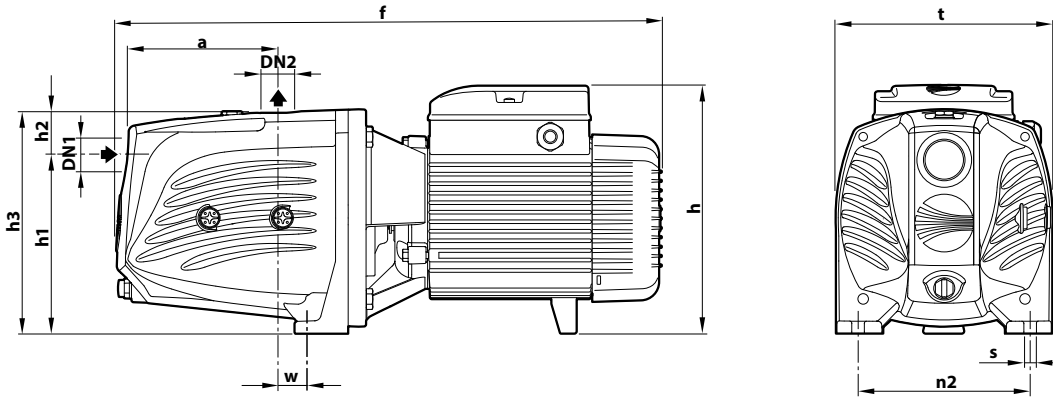
Performance curves comply with EN ISO 9906 Grade 3B tolerance limits.

ABSORPTION

TYPE	VOLTAGE
Single-phase	230 V
JSWm 3CH	8.1 A
JSWm 3BH	9.5 A
JSWm 3AH	12.7 A
JSWm 3CM	8.1 A
JSWm 3BM	9.7 A
JSWm 3AM	13.0 A
JSWm 3CL	8.1 A
JSWm 3BL	10.1 A
JSWm 3AL	13.6 A

TYPE	VOLTAGE	
	230 V - Δ	400 V - 人
JSW 3CH	5.2 A	3.0 A
JSW 3BH	6.1 A	3.5 A
JSW 3AH	8.8 A	5.1 A
JSW 3CM	5.2 A	3.0 A
JSW 3BM	6.1 A	3.5 A
JSW 3AM	9.0 A	5.2 A
JSW 3CL	5.2 A	3.0 A
JSW 3BL	6.4 A	3.7 A
JSW 3AL	9.3 A	5.4 A

DIMENSIONS AND WEIGHT



TYPE		PORTS		DIMENSIONS mm										kg	
Single-phase	Three-phase	DN1	DN2	a	f	h	h1	h2	h3	t	n2	w	s	1~	3~
JSWm 3CH	JSW 3CH	1 1/4"	1"	143	522	240	165	39	204	206	164	30	11	24.5	24.4
JSWm 3BH	JSW 3BH													25.6	25.7
JSWm 3AH	JSW 3AH													28.4	28.4
JSWm 3CM	JSW 3CM													24.6	24.4
JSWm 3BM	JSW 3BM													25.7	25.7
JSWm 3AM	JSW 3AM													28.4	28.4
JSWm 3CL	JSW 3CL													24.5	24.4
JSWm 3BL	JSW 3BL													25.8	25.7
JSWm 3AL	JSW 3AL													28.4	28.4

PALLET CAPACITY

TYPE		NO. OF PUMPS
Single-phase	Three-phase	
JSWm 3CH	JSW 3CH	35
JSWm 3BH	JSW 3BH	35
JSWm 3AH	JSW 3AH	35
JSWm 3CM	JSW 3CM	35
JSWm 3BM	JSW 3BM	35
JSWm 3AM	JSW 3AM	35
JSWm 3CL	JSW 3CL	35
JSWm 3BL	JSW 3BL	35
JSWm 3AL	JSW 3AL	35

MATERIALS AND COMPONENTS

1 Pump body Cast iron with cathaphoresis treatment, provided with ISO 228/1 threaded ports

2 Cover Cast iron with cathaphoresis treatment

3 Ejector unit Noryl™

4 Impeller Stainless steel **AISI 304**

5 Mechanical seal	Seal	Shaft	Materials
	FN-18	Ø 18 mm	Graphite / Ceramic / NBR

6 Motor shaft Stainless steel **AISI 431**

7 Electric motor **JSWm**: single-phase 230 V - 50 Hz with winding integrated thermal motor protection
JSW: three-phase 230/400 V - 50 Hz
 ※ Pumps are equipped with high-efficiency motors (IEC 60034-30-1)
 class **IE2** for single-phase models
 class **IE3** for three-phase models
 – Continuous running duty **S1**
 – Insulation: CLASS F
 – Protection rating: IP X4

