



※ For pools up to 180 m³



- ※ Robust electric pumps constructed with high-quality components and thick materials for extended durability and quiet operation.
- ※ High water flow rate paired with low energy consumption.
- ※ Double insulation between the pump and electric motor ensures maximum safety, with the pump/motor shaft always insulated from water.

- ※ Pre-filter equipped with a transparent cover for easy visual inspection, featuring an extra-large filter basket to reduce cleaning frequency.
- ※ High resistance to heat, chemicals, and salt corrosion.
- ※ Supplied with 2" GAS threaded ISO 228/1 connection fittings and AISI 316 screws

PERFORMANCE RANGE

- Flow rate up to **700 l/min** (42 m³/h)
- Head up to **23 m**

INSTALLATION AND USE

Self-priming pump with a built-in filter, designed for water circulation in residential swimming pools up to 180 m³.

APPLICATION LIMITS

- Swimming pool water (pH 6.5-8.4).
- Manometric suction head up to **4 m** (HS)
- Liquid temperature up to **+45 °C**
- Ambient temperature up to **+50 °C**
- Maximum working pressure **2.5 bar**

ELECTRIC MOTOR

The three-phase pumps are equipped with newly developed electric motors designed to work with inverters, which guarantee stable and quiet operation.

Efficiency class **IE3** for three-phase motors, **IE2** for single-phase motors, class F insulation and IP55 protection.

AVAILABLE UPON REQUEST

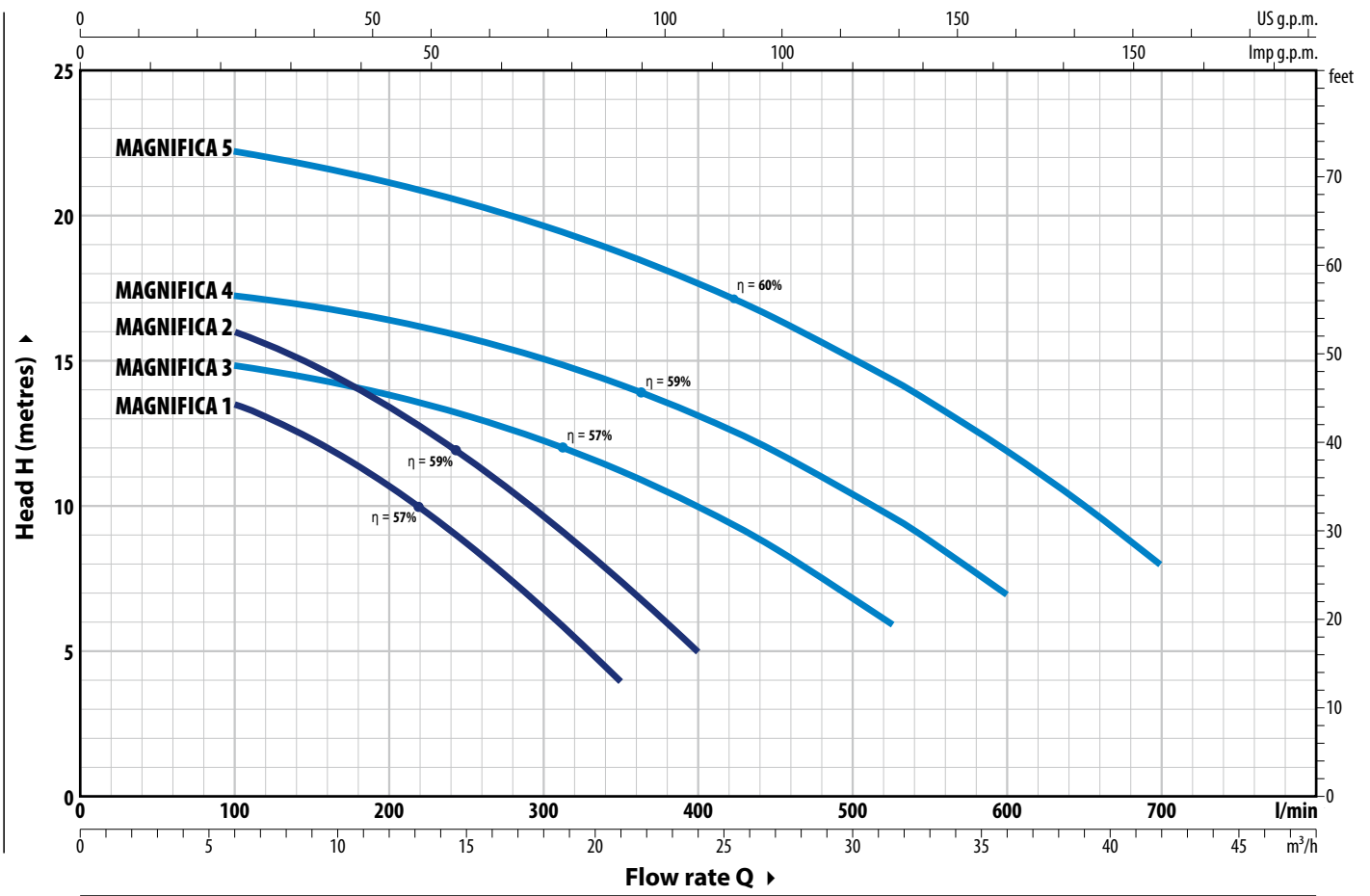
- ※ Different voltage requirements 60 Hz frequency
- ※ Smooth connection fitting **63 mm**
- ※ Smooth connection fitting **2" BS**
- ※ Threaded connection fitting **2" NPT**

PATENTS - TRADE MARKS - MODELS

- **MAGNIFICA**® Registered trademark no. 018159079
- Registered Community Model No. 007671839

CURVES AND PERFORMANCE DATA – HS=0 m

50 Hz



TYPE		POWER (P ₂)		1~	3~	Q	H metres											
Single-phase	Three-phase	kW	HP				0	6.0	9.0	12	15	18	21	24	30	36	42	
						l/min	0	100	150	200	250	300	350	400	525	600	700	
MAGNIFICA 1m	MAGNIFICA 1	0.55	0.75				14.5	13.5	12.3	10.7	8.8	6.5	4					
MAGNIFICA 2m	MAGNIFICA 2	0.75	1				17	16	15	13.5	11.7	9.7	7.4	5				
MAGNIFICA 3m	MAGNIFICA 3	1.1	1.5	IE2	IE3		15.5	15	14.4	14	13.2	12.3	11.3	10	6			
MAGNIFICA 4m	MAGNIFICA 4	1.5	2				17.7	17.3	17	16.4	15.8	15	14.2	13	9.6	7		
MAGNIFICA 5m	MAGNIFICA 5	2.2	3				23	22.2	21.8	21.2	20.5	19.7	18.8	17.7	14.4	12	8	

Q = Flow rate H = Total manometric head HS = Suction height

Performance curves comply with EN ISO 9906 Grade 3B tolerance limits.

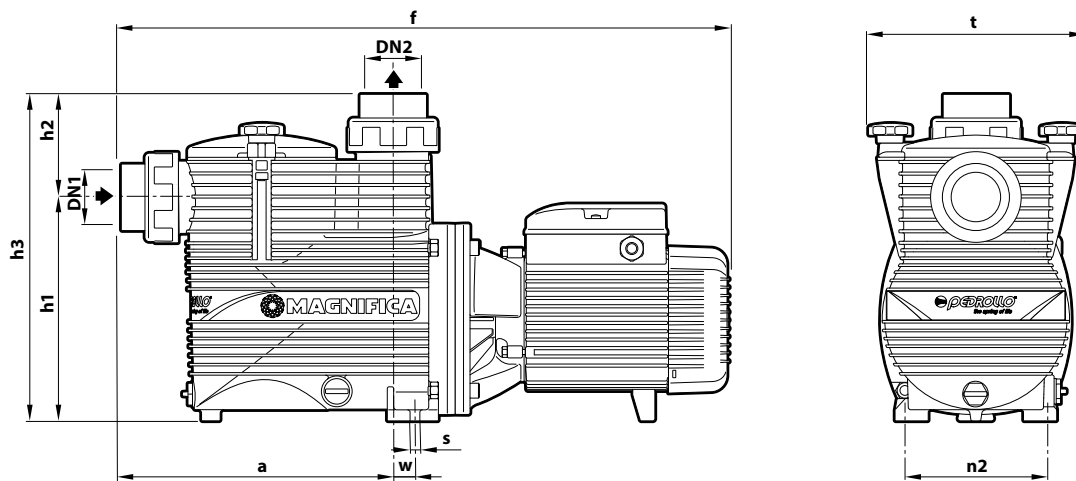
MAGNIFICA Technical data

ABSORPTION

TYPE	VOLTAGE
Single-phase	230 V
MAGNIFICA 1m	4.2 A
MAGNIFICA 2m	5.6 A
MAGNIFICA 3m	8.2 A
MAGNIFICA 4m	9.7 A
MAGNIFICA 5m	13.0 A

TYPE	VOLTAGE	
Three-phase	230 V - Δ	400 V - Y
MAGNIFICA 1	2.8 A	1.6 A
MAGNIFICA 2	3.6 A	2.1 A
MAGNIFICA 3	5.4 A	3.1 A
MAGNIFICA 4	7.3 A	4.2 A
MAGNIFICA 5	8.6 A	5.0 A

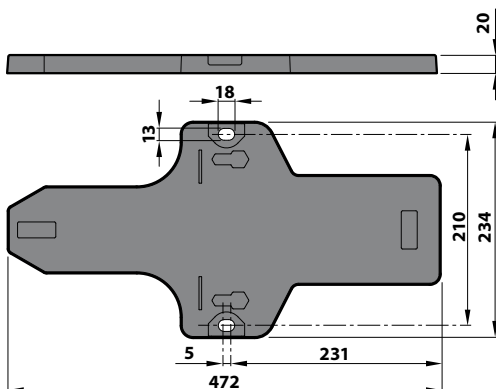
DIMENSIONS AND WEIGHT



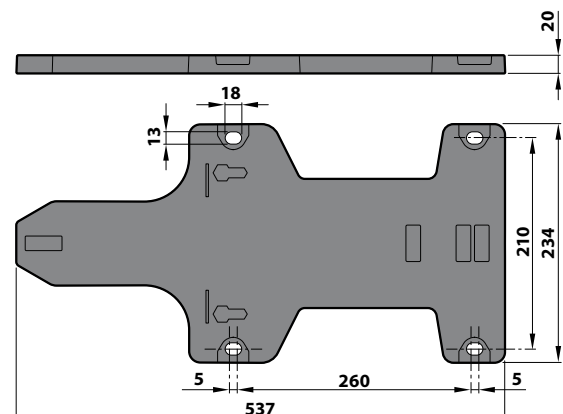
TYPE		PORTS		DIMENSIONS mm									kg	
Single-phase	Three-phase	DN1	DN2	a	f	h1	h2	h3	n1	w	s	t	1~	3~
MAGNIFICA 1m	MAGNIFICA 1	2"	2"	294	583	240	113	353	155	4.3	10.5	235	14.1	14.1
MAGNIFICA 2m	MAGNIFICA 2												15.0	15.0
MAGNIFICA 3m	MAGNIFICA 3			294	657	240	113	353	155	15.8	10.5	235	19.4	19.4
MAGNIFICA 4m	MAGNIFICA 4												20.6	20.6
MAGNIFICA 5m	MAGNIFICA 5												23.3	23.3

BASEMENT (mm)

Stand for MAGNIFICA 1-2



Stand for MAGNIFICA 3-4-5



MATERIALS AND COMPONENTS

1 Pump body	Glass-fibre reinforced polypropylene with ISO 228/1 threaded ports			
2 Seal insert	Glass-fibre reinforced polypropylene			
3 Diffuser	Noryl™			
4 Impeller	Noryl™			
5 Mechanical seal	Water pump	Seal	Shaft	Materials
	MAGNIFICA 1-2	AR-17	Ø 17	Ceramic / Graphite / NBR
	MAGNIFICA 3-4-5	AR-20R	Ø 20	Ceramic / Graphite / NBR
6 Motor shaft	Stainless steel AISI 431			
7 Electric motor	MAGNIFICA m: single-phase 230 V - 50 Hz with winding integrated thermal motor protection MAGNIFICA: three-phase 230/400 V - 50 Hz ※ Pumps are equipped with high-efficiency motors (IEC 60034-30-1) class IE2 for single-phase models class IE3 for three-phase models Continuous running duty S1			
8 O-Ring (OR)	NBR			
9 Cover	Polycarbonate			
10 Pre-filter	Polypropylene			
11 Closing knob	Nylon			
12 Fittings	PVC-U			
13 Base	Polypropylene			

