



Sewage



Civil use



Industrial use

※ **High-quality materials and robust construction ensure superior performance and reliability**



PERFORMANCE RANGE

- Flow rate up to **1600 l/min** (96 m³/h)
- Head up to **25 m**

INSTALLATION AND USE

The **MC** series is constructed from thick cast iron, offering exceptional robustness, abrasion resistance, and longevity. Featuring **TWO-CHANNEL** impellers, these pumps are designed to drain liquids containing suspended solids and short fibers, as well as **sewage, wastewater, sludge-mixed water, activated and putrid sludge**.

They are suitable for a wide range of applications, including sewers, tunnels, excavations, canals, and underground parking facilities

APPLICATION LIMITS

- Depth below water level up to **10 m** (with an appropriately sized power cable)
- Liquid temperature up to **+40 °C**
- Suspended solids transfer:
 - up to **Ø 50 mm** for MC /50
 - up to **Ø 65 mm** for MC /65
- **Minimum immersion for continuous service:**
 - **320 mm** for MC /50
 - **360 mm** for MC /65

INCLUDES

- ※ Power cable length **10 m**
- ※ Float switch (exclusive to single-phase models)
- ※ Switchbox compatible with single-phase versions

AVAILABLE UPON REQUEST

- ※ **QES** control panel for three-phase pumps
- ※ Different voltage requirements 60 Hz frequency

WARRANTY

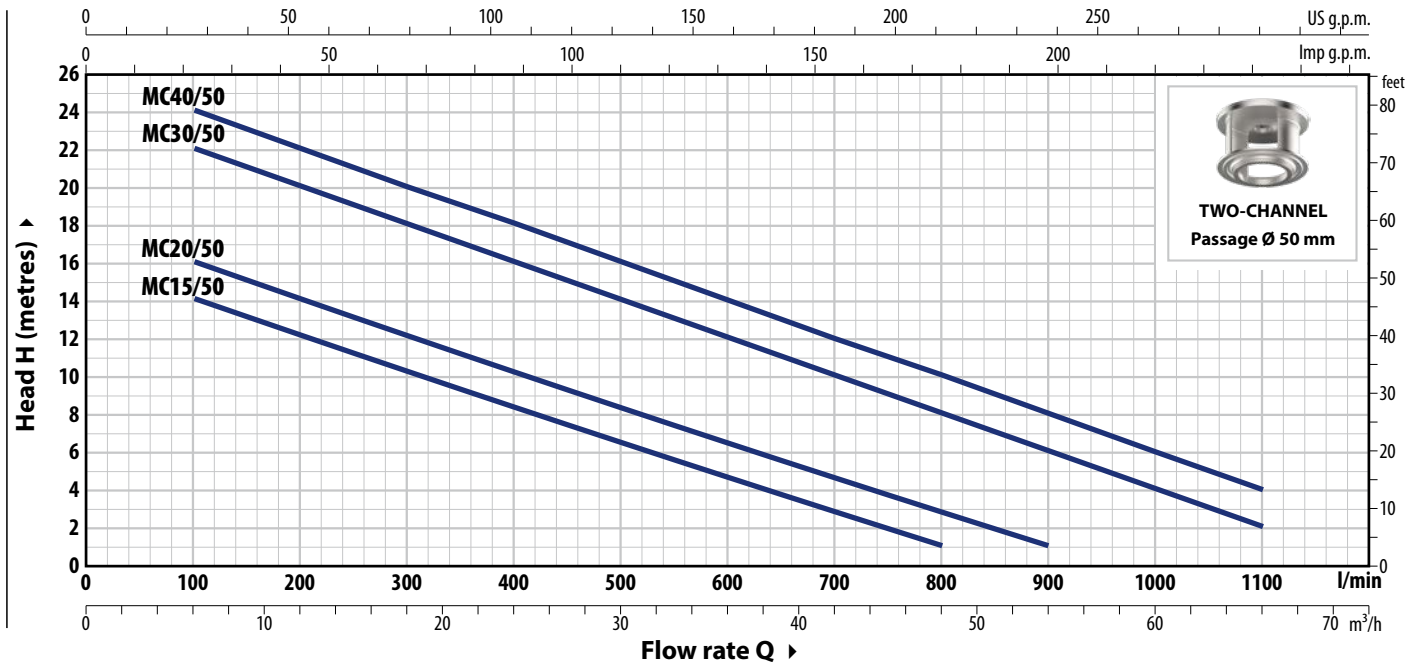
- ※ **The warranty for three-phase models remains valid only if the motor's built-in thermal protector is properly connected to the control panel. This connection is essential for the warranty's applicability.**

PATENTS - TRADE MARKS - MODELS

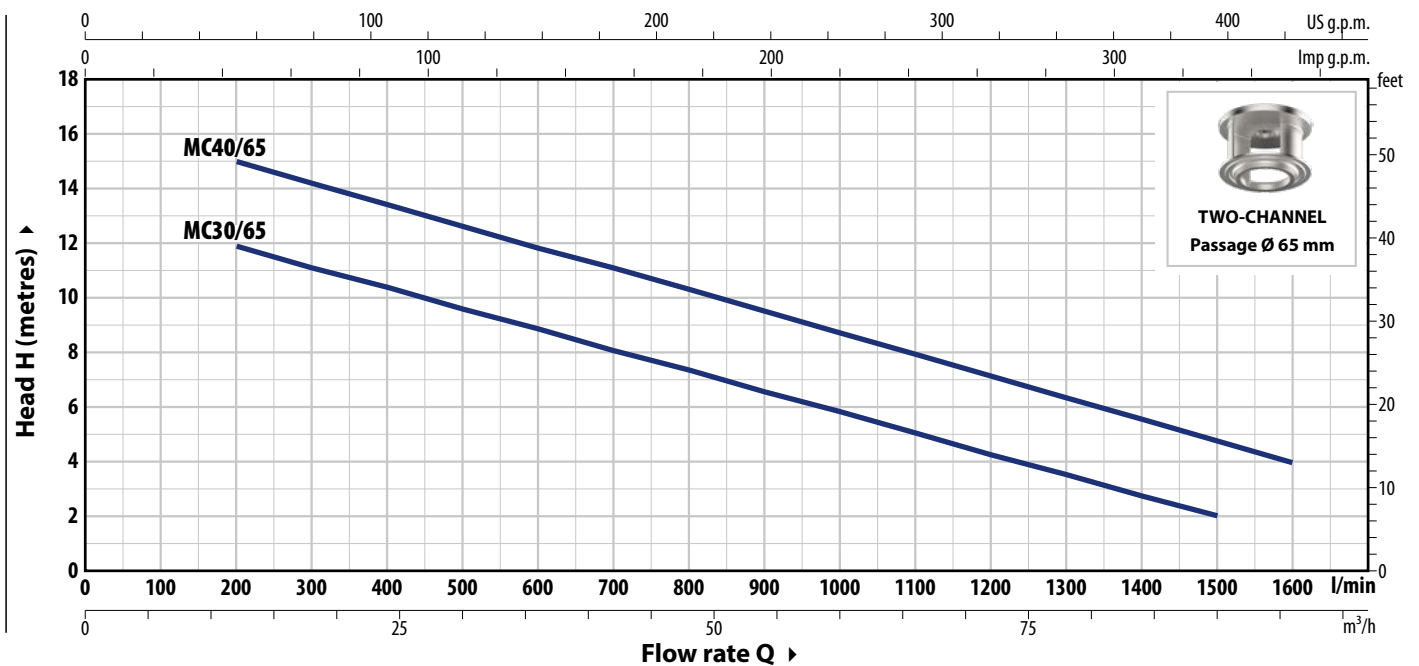
- Patent No. IT0001428923
- Registered Community Model No. 008625685-0001, No. 008625685-0002

CURVES AND PERFORMANCE DATA

50 Hz



TYPE		POWER (P ₂)		Q	Flow rate															
Single-ph.	Three-ph.	kW	HP		m ³ /h	0	6	12	18	24	30	36	42	48	54	60	66			
MCm 15/50	MC 15/50	1.1	1.5	H metres	0	100	200	300	400	500	600	700	800	900	1000	1100				
MCm 20/50	MC 20/50	1.5	2		16	14	12.5	10.5	8.5	6.5	4.5	3	1							
MCm 30/50	MC 30/50	2.2	3		18	16	14	12.5	10.5	8.5	6.5	5	3	1						
-	MC 40/50	3	4		24	22	20	18	16	14	12	10	8	6	4	2				
					25	24	22	20	18	16	14	12	10	8	6	4				



TYPE		POWER (P ₂)		Q	Flow rate													
Single-ph.	Three-ph.	kW	HP		m ³ /h	0	12	24	36	48	54	60	66	72	90	96		
MCm 30/65	MC 30/65	2.2	3	H metres	0	200	400	600	800	900	1000	1100	1200	1500	1600			
-	MC 40/65	3	4		13	12	10.5	9	7.5	6.5	6	5	4.5	2				
					17	15	13.5	12	10.5	9.5	8.5	8	7	4.8	4			

Q = Flow rate H = Total manometric head

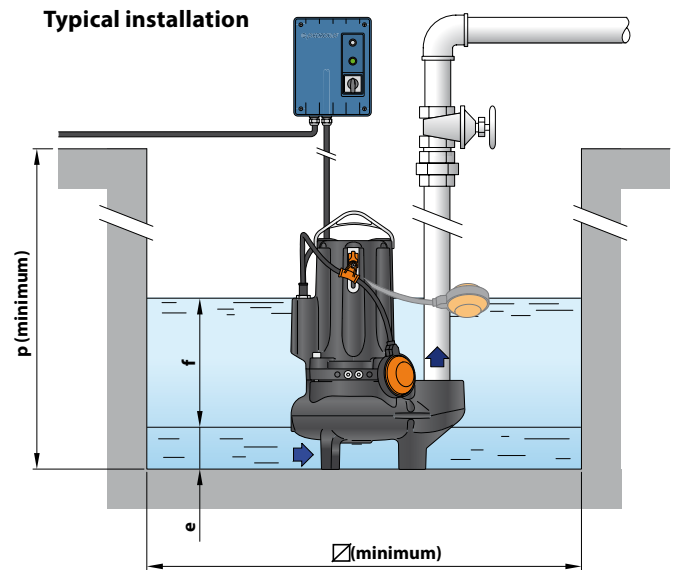
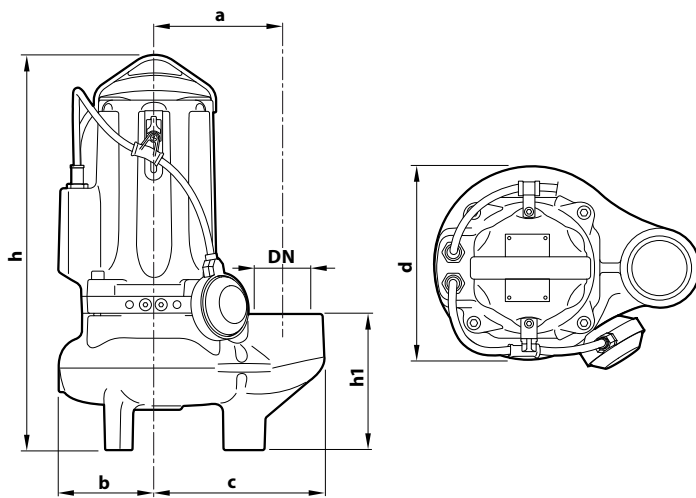
Performance curves comply with EN ISO 9906 Grade 3B tolerance limits.

ABSORPTION

TYPE	VOLTAGE
Single-phase	230 V
MCm 15/50	10.5 A
MCm 20/50	14.0 A
MCm 30/50	18.0 A
MCm 30/65	14.0 A

TYPE	VOLTAGE
Three-phase	400 V
MC 15/50	4.5 A
MC 20/50	5.0 A
MC 30/50	6.5 A
MC 40/50	7.0 A
MC 30/65	6.5 A
MC 40/65	7.5 A

DIMENSIONS AND WEIGHT



TYPE		PORT DN	Passage of solid bodies	DIMENSIONS mm										kg	
Single-phase	Three-phase			a	b	c	h	h1	d	e	f	p	Ø	1~	3~
MCm 15/50	MC 15/50	2½"	50 mm	162	119	212	487	167	242	75	adjustable	800	800	42.0	40.0
MCm 20/50	MC 20/50						513 487							43.0	41.9
MCm 30/50	MC 30/50						513							47.8	44.0
-	MC 40/50						513							-	47.8
MCm 30/65	MC 30/65	3"	65 mm	180	120	240	547 521	201	246	85	adjustable	800	800	50.0	46.0
-	MC 40/65						547							-	49.8
-	MC 40/65						547							-	49.8

PALLET CAPACITY

TYPE		NO. OF PUMPS
Single-phase	Three-phase	
MCm 15/50	MC 15/50	16
MCm 20/50	MC 20/50	16
MCm 30/50	MC 30/50	12 16
-	MC 40/50	12
MCm 30/65	MC 30/65	12
-	MC 40/65	12

MATERIALS AND COMPONENTS

1 Pump body	Cast iron with cataphoresis treatment
2 Impeller	TWO-CHANNEL type in micro-cast AISI 304 stainless steel
3 Motor holder	Cast iron with cataphoresis treatment
4 Motor bracket	Cast iron with cataphoresis treatment
5 Motor shaft	Stainless steel AISI 431

6 Double mechanical seal with interposed oil chamber

Seal	Shaft	Location	Materials
STA-22	Ø 22 mm	Motor side	Ceramic / Graphite / NBR
STA-20	Ø 20 mm	Pump side	Silicon carbide/Silicon carbide/NBR

7 Electric Motor

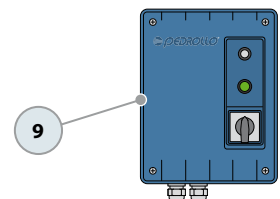
MCm: single-phase 230 V - 50 Hz with thermal motor protection

MC: three-phase 400 V - 50 Hz

✘ with winding integrated thermal motor protection (to be connected to the control panel supplied on request)

- Insulation: class F
- Protection rating: IP X8

Control panel
(standard for single-phase versions)



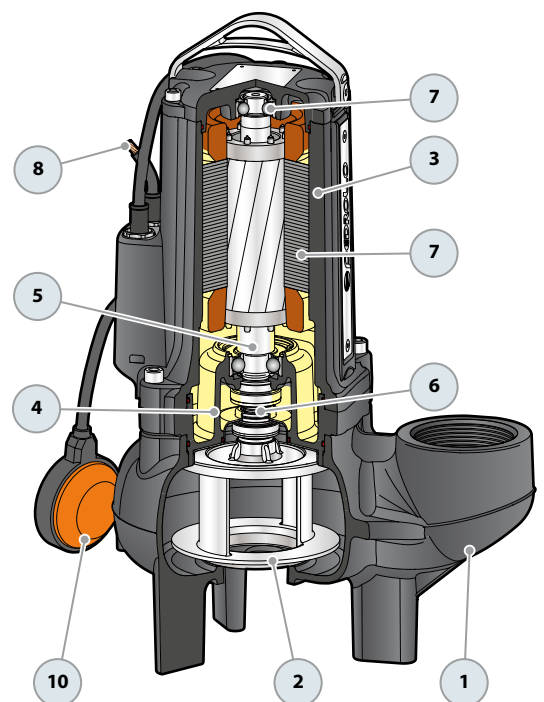
8 Power cord

✘ 10 metres 'H07 RN-F' type

9 Switchbox compatible with MCm 15-20-30 (exclusive to single-phase models)

With capacitor and manual reset motor protection switch

10 Float switch (exclusive to single-phase models)



OPTIONAL - Support base
(Cod. ASSBAVM)

