

 Clean water

 Domestic use

 Civil use



### ※ VERSATILE

PLURIJET pumps are designed to handle any domestic water task with ease. With exceptional suction capacity, they can prime up to 9 metres deep, making them perfect for any household water requirement.

### ※ EFFICIENT

Get the job done efficiently with PLURIJET pumps. Their high hydraulic efficiency means they consume significantly less electricity compared to self-priming JET pumps, ensuring you have all the water you need without draining your power supply.

### ※ RELIABLE

Stainless steel components that you can count on for reliability and durability.

### ※ SILENT

Featuring multi-cellular hydraulics for maximum pressure with minimal power consumption, these pumps are significantly quieter, with noise levels between 48 and 54 dBA.

### PERFORMANCE RANGE

- Flow rate up to **130 l/min** (7.8 m<sup>3</sup>/h)
- Head up to **52 m**

### INSTALLATION AND USE

**PLURIJET** self-priming pumps are designed to transfer clean water free from abrasive particles and liquids that will not damage the pump's components. They are suitable for both domestic and civil applications, particularly for water distribution along pressure tanks to increase overall network pressure, rainwater recovery, and irrigation.

### ELECTRIC MOTOR

Three-phase pumps are equipped with high-efficiency motors (IEC 60034-30-1).

Efficiency class **IE3** for three-phase motors and **IE2** for single-phase motors, with class F insulation and IPX4 protection.

### APPLICATION LIMITS

- Manometric suction head up to **9 m** (HS)
- Liquid temperature between **-10 °C** and **+60 °C**
- Ambient temperature up to **+40 °C**
- Maximum working pressure **6 bar**

### AVAILABLE UPON REQUEST

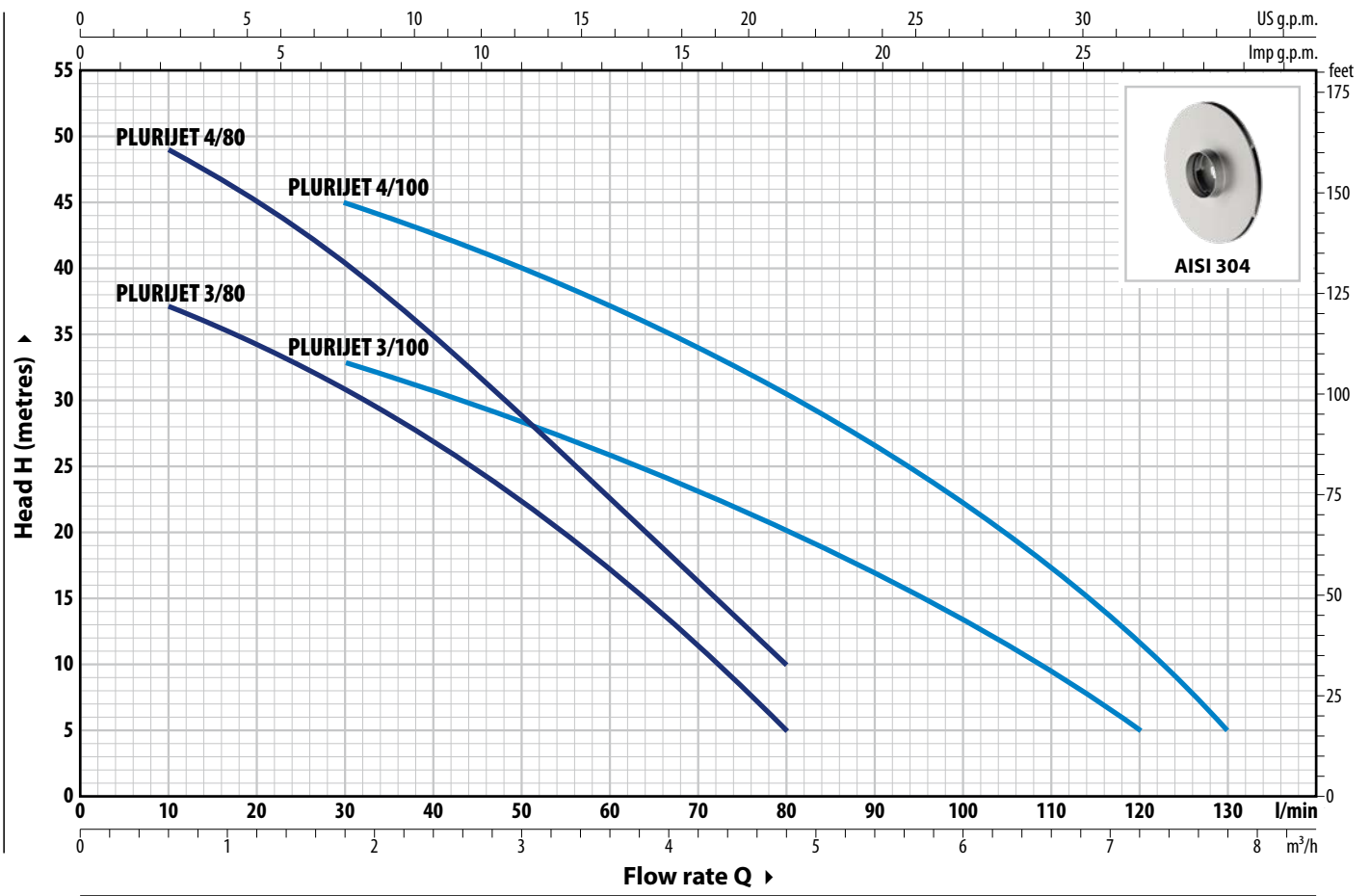
- ※ Technopolymer impeller (cost-effective version)
- ※ Different voltage requirements 60 Hz frequency

### PATENTS - TRADE MARKS - MODELS

- PLURIJET® Registered trademark No. 3974301
- Patent Pending No. 102023000019836

**CURVES AND PERFORMANCE DATA – HS=0 m**

**50 Hz**

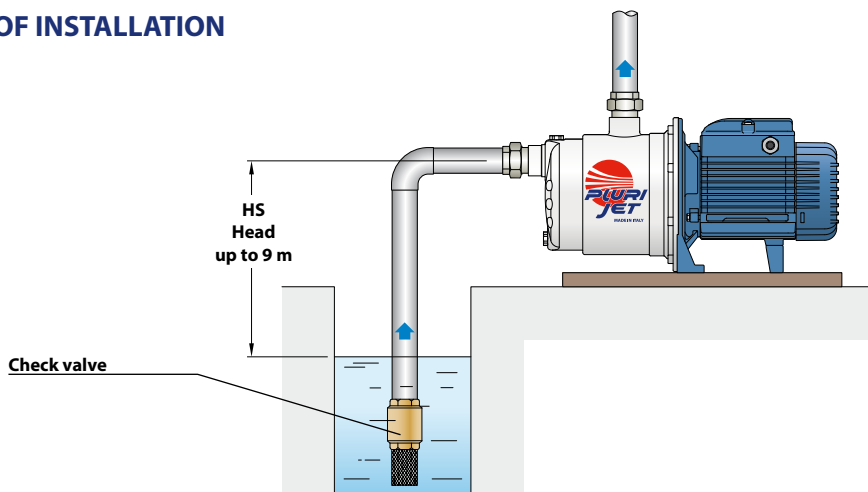


TYPE	Single-phase	Three-phase	POWER (P <sub>2</sub> )		1~3~	Q																	
			kW	HP		m <sup>3</sup> /h	0	0.3	0.6	1.2	1.8	2.4	3.0	3.6	4.2	4.8	5.4	6.0	6.6	7.2	7.8		
						l/min	0	5	10	20	30	40	50	60	70	80	90	100	110	120	130		
PLURIJETm 3/80		PLURIJET 3/80	0.48	0.65	IE2 IE3	H metres	40	38	37	34.5	31	27	22.5	17	11	5							
PLURIJETm 4/80		PLURIJET 4/80	0.55	0.75			52	50	49	44.5	40	34	28.5	22.5	16	10							
PLURIJETm 3/100		PLURIJET 3/100	0.55	0.75			38	37	36	34.5	33	31	28	26	23	20	17	13.5	10	5			
PLURIJETm 4/100		PLURIJET 4/100	0.75	1			50	50	49	47	45	42	39.5	37	34	30.5	26.5	22	17	11	5		

Q = Flow rate H = Total manometric head HS = Suction height

Performance curves comply with EN ISO 9906 Grade 3B tolerance limits.

**EXAMPLE OF INSTALLATION**

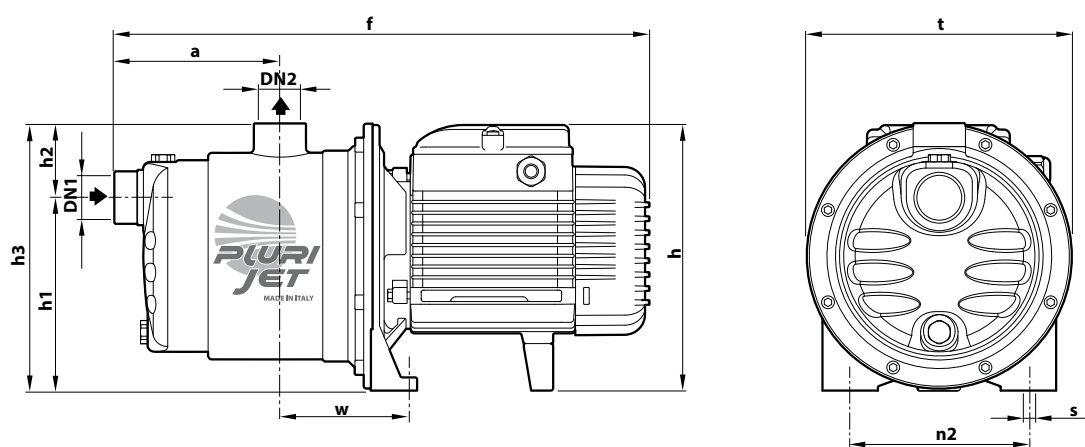


### ABSORPTION

TYPE	VOLTAGE
<b>Single-phase</b>	<b>230 V</b>
<b>PLURIJETm 3/80</b>	3.2 A
<b>PLURIJETm 4/80</b>	3.9 A
<b>PLURIJETm 3/100</b>	4.1 A
<b>PLURIJETm 4/100</b>	5.8 A

TYPE	VOLTAGE	
	<b>230 V - Δ</b>	<b>400 V - ƿ</b>
<b>PLURIJET 3/80</b>	2.6 A	1.5 A
<b>PLURIJET 4/80</b>	3.5 A	2.0 A
<b>PLURIJET 3/100</b>	3.5 A	2.0 A
<b>PLURIJET 4/100</b>	4.0 A	2.3 A

### DIMENSIONS AND WEIGHT



TYPE	PORTS	DIMENSIONS mm											kg		
		DN1	DN2	a	f	h	h1	h2	h3	t	n2	w	s	1~	3~
<b>Single-phase</b>	<b>Three-phase</b>														
<b>PLURIJETm 3/80</b>	<b>PLURIJET 3/80</b>	1"	1"	113	367	182	132	51	183	182	120	87	9	7.8	7.8
<b>PLURIJETm 4/80</b>	<b>PLURIJET 4/80</b>			138	392									9.1	8.4
<b>PLURIJETm 3/100</b>	<b>PLURIJET 3/100</b>			113	367									8.6	7.9
<b>PLURIJETm 4/100</b>	<b>PLURIJET 4/100</b>			138	410	202 *								10	11.6

(\*) h=221 mm for single-phase 110 V versions

### PALLET CAPACITY

TYPE	NO. OF PUMPS
<b>Single-phase</b>	
<b>PLURIJETm 3/80</b>	84
<b>PLURIJETm 4/80</b>	72
<b>PLURIJETm 3/100</b>	84
<b>PLURIJETm 4/100</b>	72

## MATERIALS AND COMPONENTS

<b>1 Pump body</b>	Stainless steel <b>AISI 304</b> , provided with ISO 228/1 threaded ports		
<b>2 Cover</b>	Stainless steel <b>AISI 304</b>		
<b>3 Impellers</b>	Stainless steel <b>AISI 304</b>		
<b>4 Diffusers</b>	Noryl™ complete with wear rings		
<b>5 Mechanical seal</b>	Seal <b>AR-13</b>	Shaft Ø 13 mm	Materials Ceramic / Graphite / NBR
<b>6 Motor shaft</b>	Stainless steel <b>AISI 431</b>		
<b>7 Electric motor</b>	<p><b>PLURIJETm</b>: single-phase 230 V - 50 Hz with winding integrated thermal motor protection</p> <p><b>PLURIJET</b>: three-phase 230/400 V - 50 Hz</p> <p>※ Pumps are equipped with high-efficiency motors (IEC 60034-30-1) class <b>IE2</b> for single-phase models class <b>IE3</b> for three-phase models</p> <p>Continuous running duty <b>S1</b></p>		

