



※ **PLURIJET high-efficiency pumps with stainless steel impellers are as essential as water. Thanks to their reliability, quiet operation, and cost-effectiveness, they provide the best and most effective solution for your domestic needs.**

※ **VERSATILE**

PLURIJET pumps are designed to handle any domestic water task with ease. With exceptional suction capacity, they can prime up to 9 metres deep, making them perfect for any household water requirement.

※ **EFFICIENT**

Get the job done efficiently with PLURIJET pumps. Their high hydraulic efficiency means they consume significantly less electricity compared to self-priming JET pumps, en-

suring you have all the water you need without draining your power supply.

※ **SILENT**

Featuring multi-cellular hydraulics for maximum pressure with minimal power consumption, these pumps operate with significantly reduced noise levels, ensuring a quiet performance.

PERFORMANCE RANGE

- Flow rate up to **130 l/min** (7.8 m³/h)
- Head up to **52 m**

INSTALLATION AND USE

Designed to transfer clean water free from abrasive particles and safe liquids that will not damage any of the pump's components. Highly reliable and quiet, they are suitable for domestic applications.

They work seamlessly with small to medium-sized pressure tanks, offering an ideal setup for all irrigation requirements.

ELECTRIC MOTOR

The three-phase pumps are equipped with newly developed electric motors designed to work with inverters, which guarantee stable and quiet operation.

50 Hz | PLURIJET 90-120

Efficiency class **IE3** for three-phase motors and **IE2** for single-phase motors, with class F insulation and IPX4 protection.

APPLICATION LIMITS

- Manometric suction head up to **9 m** (HS)
- Liquid temperature between **-10 °C** and **+60 °C**
- Ambient temperature up to **+40 °C**
- Maximum working pressure **6 bar**

AVAILABLE UPON REQUEST

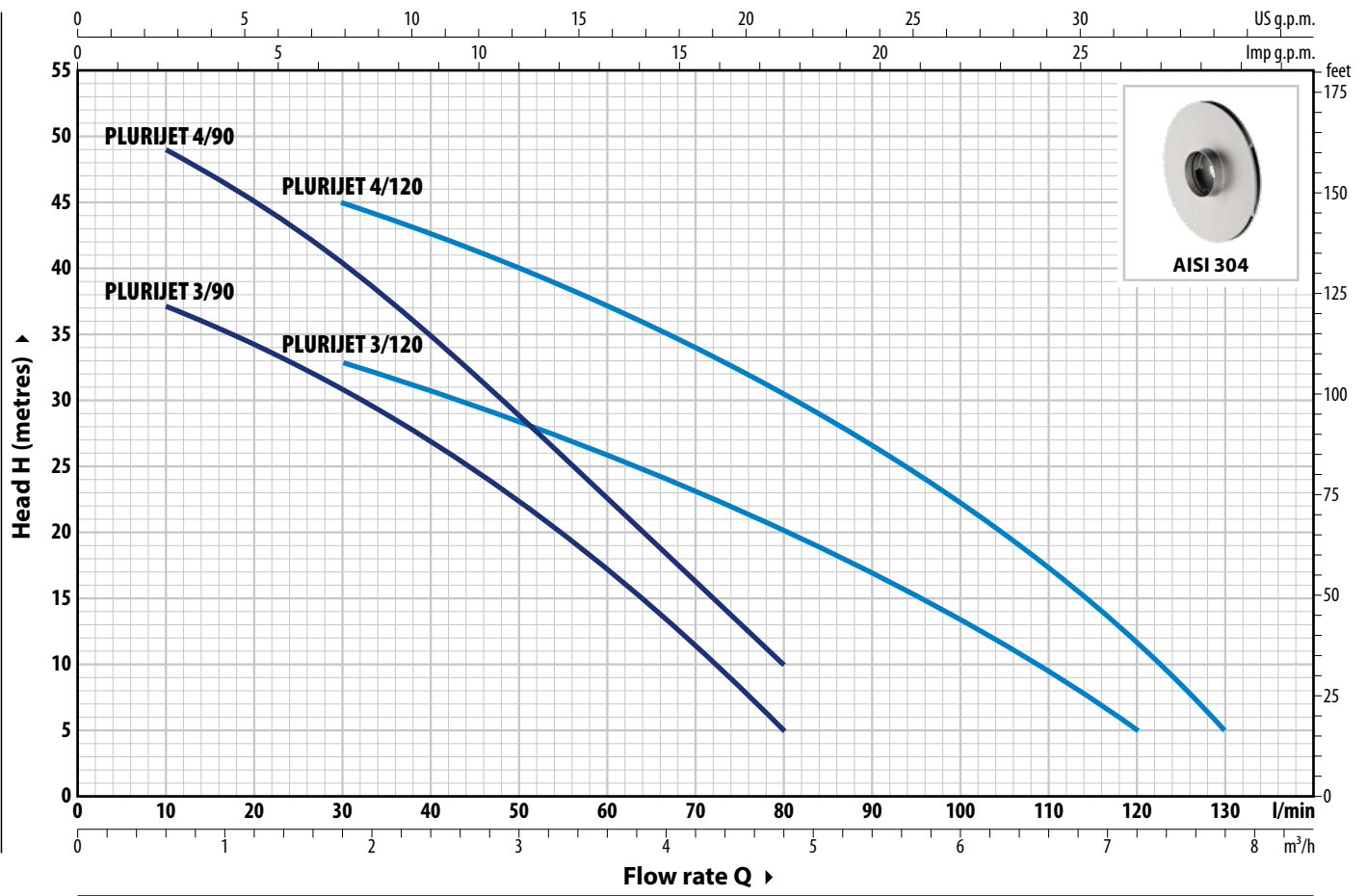
- ※ Mechanical seal options available
- ※ Different voltage requirements 60 Hz frequency

PATENTS - TRADE MARKS - MODELS

- **PLURIJET**®Registered trademark No. 3974301
- Patent Pending No. 102023000019836

CURVES AND PERFORMANCE DATA – HS=0 m

50 Hz

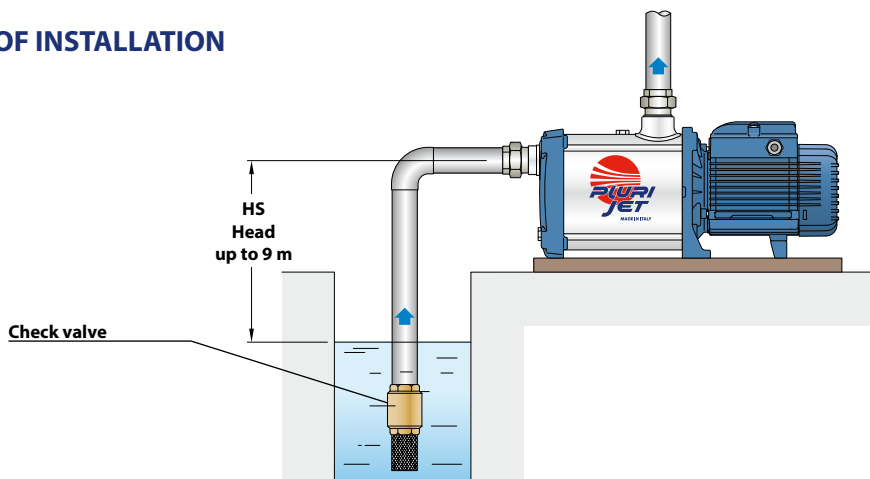


TYPE		POWER (P ₂)		1~3~	Q	m ³ /h															
Single-phase	Three-phase	kW	HP			0	0.3	0.6	1.2	1.8	2.4	3.0	3.6	4.2	4.8	5.4	6.0	6.6	7.2	7.8	
						l/min															
						0	5	10	20	30	40	50	60	70	80	90	100	110	120	130	
PLURIJETm 3/90	PLURIJET 3/90	0.48	0.65	IE2 IE3	H metres	40	38	37	34.5	31	27	22.5	17	11	5						
PLURIJETm 4/90	PLURIJET 4/90	0.55	0.75			52	50	49	44.5	40	34	28.5	22.5	16	10						
PLURIJETm 3/120	PLURIJET 3/120	0.55	0.75			38	37	36	34.5	33	31	28	26	23	20	17	13.5	10	5		
PLURIJETm 4/120	PLURIJET 4/120	0.75	1			50	50	49	47	45	42	39.5	37	34	30.5	26.5	22	17	11	5	

Q = Flow rate H = Total manometric head HS = Suction height

Performance curves comply with EN ISO 9906 Grade 3B tolerance limits.

EXAMPLE OF INSTALLATION

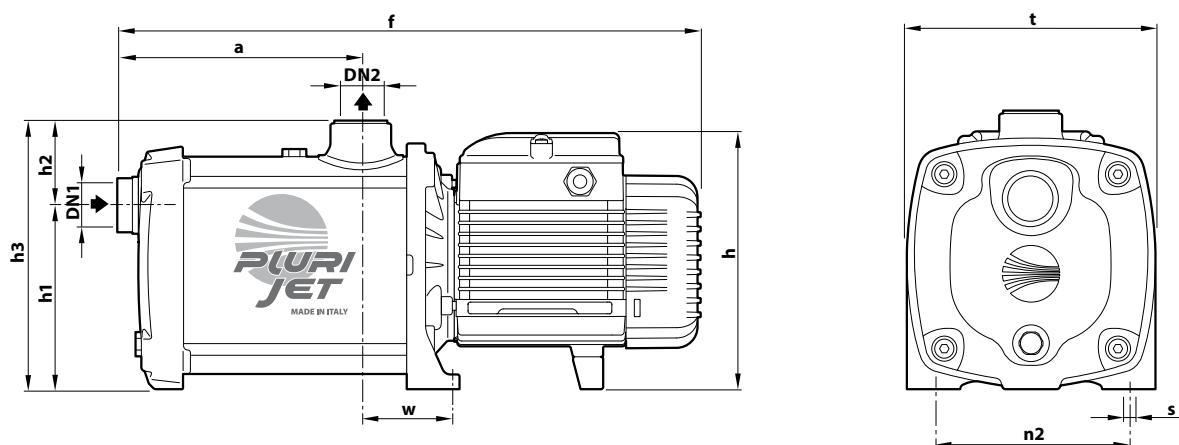


ABSORPTION

TYPE	VOLTAGE
Single-phase	230 V
PLURIJETm 3/90	3.2 A
PLURIJETm 4/90	3.9 A
PLURIJETm 3/120	3.9 A
PLURIJETm 4/120	5.8 A

TYPE	VOLTAGE	
	230 V - Δ	400 V - ƿ
PLURIJET 3/90	2.2 A	1.3 A
PLURIJET 4/90	2.9 A	1.7 A
PLURIJET 3/120	2.9 A	1.7 A
PLURIJET 4/120	4.0 A	2.3 A

DIMENSIONS AND WEIGHT



TYPE		PORTS		DIMENSIONS mm										kg	
Single-phase	Three-phase	DN1	DN2	a	f	h	h1	h2	h3	t	n2	w	s	1~	3~
PLURIJETm 3/90	PLURIJET 3/90	1"	1"	132	358	171	122	56	178	160	125	56.5	9	8.4	8.4
PLURIJETm 4/90	PLURIJET 4/90			157	383									9.7	9.0
PLURIJETm 3/120	PLURIJET 3/120			132	358	9.2								8.5	
PLURIJETm 4/120	PLURIJET 4/120			157	402	189								12.2	12.2

(*) h=221 mm for single-phase 110 V versions

MATERIALS AND COMPONENTS

1 Pump body	Stainless steel AISI 304 , provided with ISO 228/1 threaded ports		
2 Cover	Stainless steel AISI 304		
3 Impellers	Stainless steel AISI 304		
4 Diffusers	Noryl™ complete with wear rings		
5 Mechanical seal	Seal	Shaft	Materials
	AR-13	Ø 13 mm	Ceramic / Graphite / NBR
6 Motor shaft	Stainless steel AISI 431		
7 Electric motor	<p>PLURIJETm: single-phase 230 V - 50 Hz with winding integrated thermal motor protection</p> <p>PLURIJET: three-phase 230/400 V - 50 Hz</p> <p>※ Pumps are equipped with high-efficiency motors (IEC 60034-30-1)</p> <p>class IE2 for single-phase models</p> <p>class IE3 for three-phase models</p> <p>Continuous running duty S1</p>		

