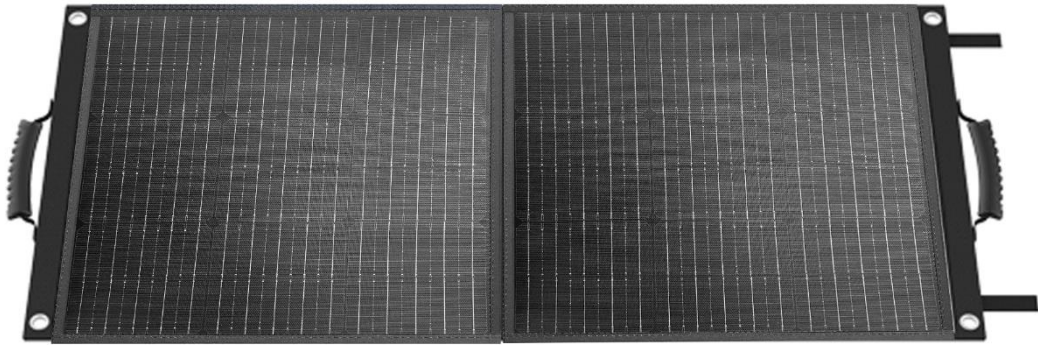


GENERGY

PANEL GZE100



BS EN55032:20155+a11:2020 - EN61000-3-2:2009 - EN61000-3-3:2013+A1:2019 - BS EN55035:2017+A11:2020

IEC 62321-3-1:2013 - IEC 62321-5:2013 - IEC 62321-6:2015 - IEC 62321-7-1:2015 - IEC 62321-4:2013+AMD1:2017 - IEC 62321:2008 ANNEX C

FICHA TÉCNICA - TECHNICAL DATA SHEET





MC4 3 MTS



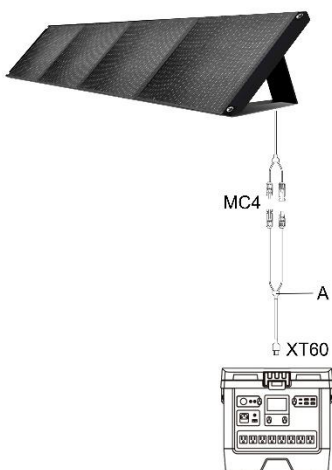
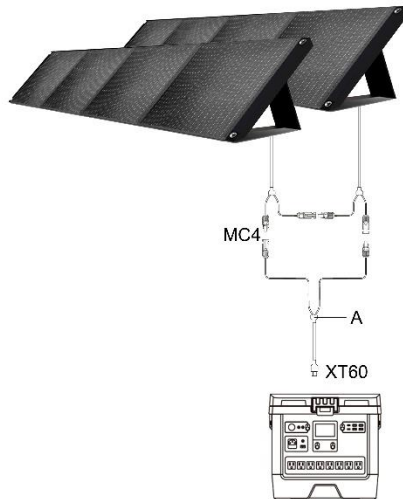
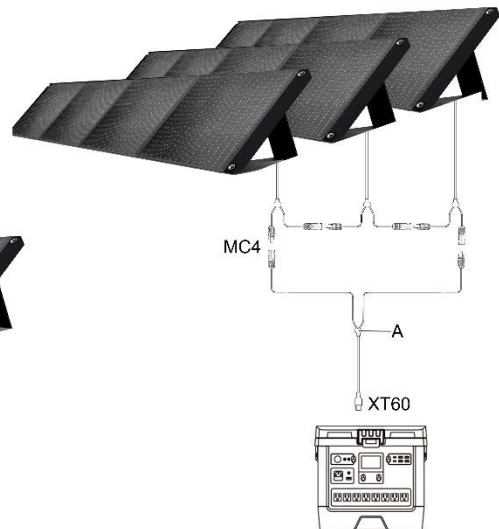
	PANEL SOLAR GZE100
Puerto de salida / Output port	MC4 21V/4.76A MAX 100W
Puertos auxiliares / Aux port	USB-A/USD-C: 5V/9V/12V 3.5A MAX
Tipo de celda / Power Cell	Monocrystal Level (A)
Eficiencia / Efficiency	≥21.7%
Potencia de salida / Output power	100W ±5% Max
Voltaje circuito abierto / Open circuit voltage (Voc)	25.2V(Not less 23.94V)
Intensidad de cortocircuito / Short circuit current (Isc)	5.71A (Not less 5.42A)
Voltaje máximo / Max power Voltage (Vm)	21V (Not less 20.58V)
Intensidad máxima / Max power Current (Im)	4.76A (Not less 4.66A)
NOCT	-10°-65°C
Longitud del cable MC4 / Cable MC4 long	3mts
Dimensiones plegado / Folded size	536x536x37mm
Dimensiones desplegado / Extended size	536x1084x25mm
Peso / Weight	3.45kg
Contenido / Contents	Solar panel, XT60 to MC4 adapter cable and user manual
STC: 1000W/m2 AM1.5, 25°C	



CONEXIÓN CON GENERADOR SOLAR / SOLAR GENERATOR CONECTION

Plan de conexión de paneles en serie

SOLAR GENERATOR GZE0303	MAX 1 PANEL X100W
SOLAR GENERATOR GZE0305	MAX 1 PANEL X100W
SOLAR GENERADOR GZE0810	MAX 1 PANEL X100W
SOLAR GENERADOR GZE1210:	MAX 1 PANEL X200W
SOLAR GENERATOR GZE1515:	MAX 1 PANEL X200W
SOLAR GENERATOR GZE2020R:	MAX 3 PANEL X200W
SOLAR GENERATOR GZE3320:	MAX 3 PANEL X200W
SOLAR GENERATOR GZE3335:	MAX 3 PANEL X200W
OTHER MODEL/SOTROS MODELOS:	CONSULT US - CONSULTANOS.



- A-** El cable adaptador XT60 a MC4 está incluido en el panel pero no en la estación.
- A-** The XT60 to MC4 adapter cable is included with the panel but not with the station.
- A-** O cabo adaptador XT60 para MC4 acompanha o panel mas não a estação.



GENERGY POWER PRODUCT
Calahorra 26500 (La Rioja)
Tel: 941152733 - Fax: 941152750
Website: www.genergy.es
Contacto: genergy@genergy.es