



Clear waters



Domestic use

※ TOP

**Drainage pumps:
reliable and durable**



PERFORMANCE RANGE

- Flow rate up to **360 l/min** (21.6 m³/h)
- Head up to **15.5 m**

INSTALLATION AND USE

The **TOP** series is excellent for draining **clear water** without abrasive particles. Construction features ensure user-friendly and safe operation, including motor cooling and a double shaft seal. Recommended for emergency drainage of small, flooded areas (rooms, basements, garages), disposing of household water (dishwashers, washing machines), and emptying sumps.

APPLICATION LIMITS

- Liquid temperature up to **+40 °C** and up to **+90 °C** for short bursts (up to 3 minutes max) for intermittent service
- Capable of processing suspended solids up to **Ø 10 mm**
- Draining capability:
 - up to **14 mm** from the bottom for TOP 1-2-3
 - up to **30 mm** from the bottom for TOP 4-5
- Maximum operating depth below water level:
 - up to **3 m** for TOP 1-2-3
 - up to **5 m** for TOP 4-5
 (with an appropriately sized power cable)

PATENTS - TRADE MARKS - MODELS

- Patent No. IT0001428923
- Registered Community Model No. 342159-0011

INCLUDES

- ※ **5 m** power cable
- ※ Float switch

AVAILABLE UPON REQUEST

- ※ Mechanical seal options available
- ※ Different voltage requirements 60 Hz frequency
- ※ Power cable length **10 m**
- ※ **TOP-GM** " pumps with magnetic float operation (suitable for small sumps)
- ※ **TOP-LA** " special pumps with all metal components in contact with the pumped liquid in AISI 316 stainless steel



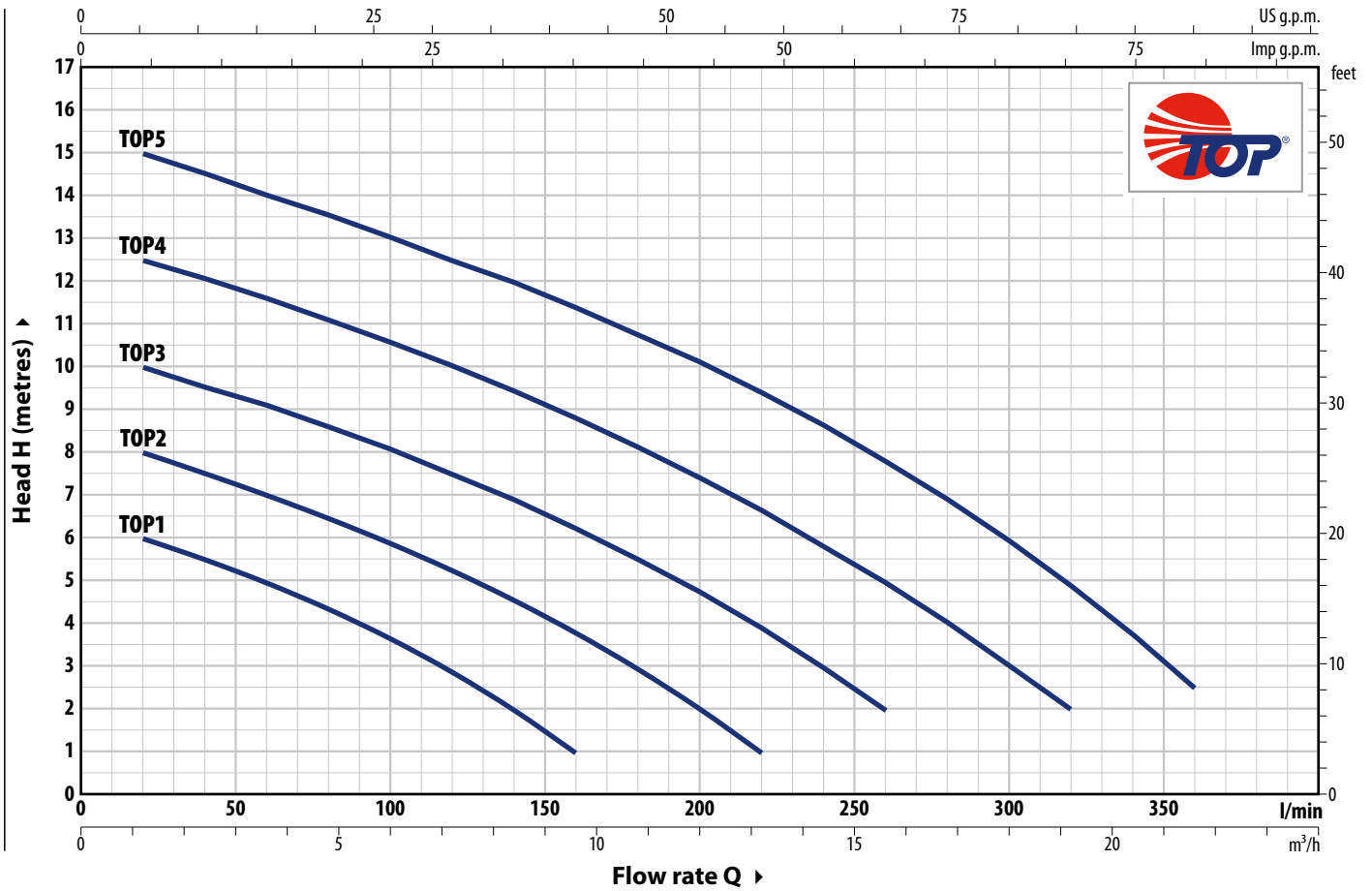
※ TOP LA



※ TOP GM

CURVES AND PERFORMANCE DATA

50 Hz



TYPE	POWER (P ₂)		Q	Flow rate																		
	kW	HP		m ³ /h	0	1.2	2.4	3.6	4.8	6.0	7.2	8.4	9.6	10.8	12.0	13.2	14.4	15.6	18.0	19.2	21.6	
Single-phase			l/min	0	20	40	60	80	100	120	140	160	180	200	220	240	260	300	320	360		
TOP 1	0.25	0.33	H metres	6.5	6	5.5	5	4.4	3.7	3	2	1										
TOP 2	0.37	0.50		8.5	8	7.5	7	6.5	6	5.3	4.6	3.8	3	2	1							
TOP 3	0.55	0.75		10.4	10	9.6	9	8.6	8	7.5	7	6.3	5.5	4.8	4	3	2					
TOP 4	0.75	1		13	12.5	12	11.6	11	10.6	10	9.5	8.8	8.2	7.4	6.7	6	5	3	2			
TOP 5	0.92	1.25		15.5	15	14.5	14	13.6	13	12.6	12	11.4	10.8	10	9.4	8.7	7.8	6	5	2.5		

Q = Flow rate H = Total manometric head

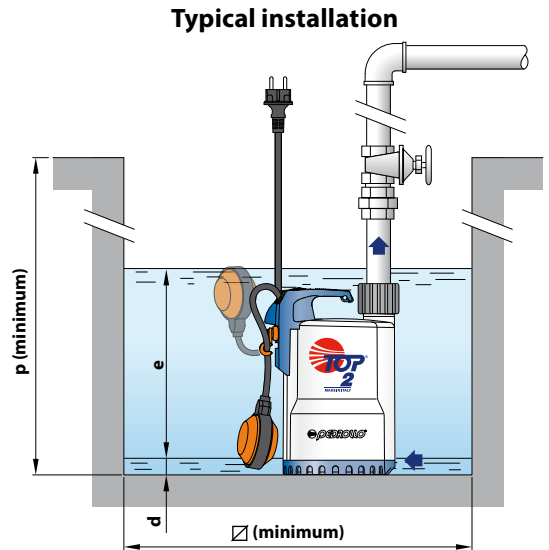
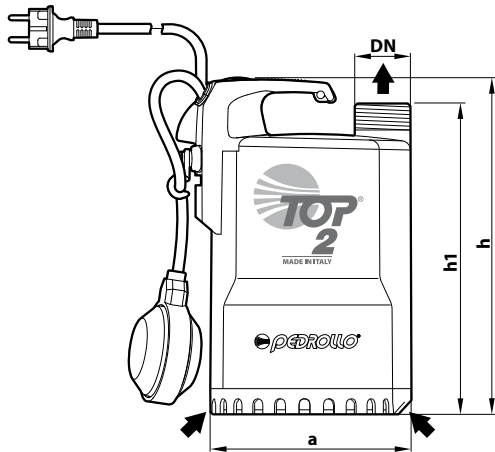
Performance curves comply with EN ISO 9906 Grade 3B tolerance limits.

ABSORPTION

TYPE	VOLTAGE
Single-phase	230 V
TOP 1	1.5 A
TOP 2	2.0 A
TOP 3	3.2 A
TOP 4	4.5 A
TOP 5	5.5 A

✘ TOP-LA and TOP-GM pumps have the same performance

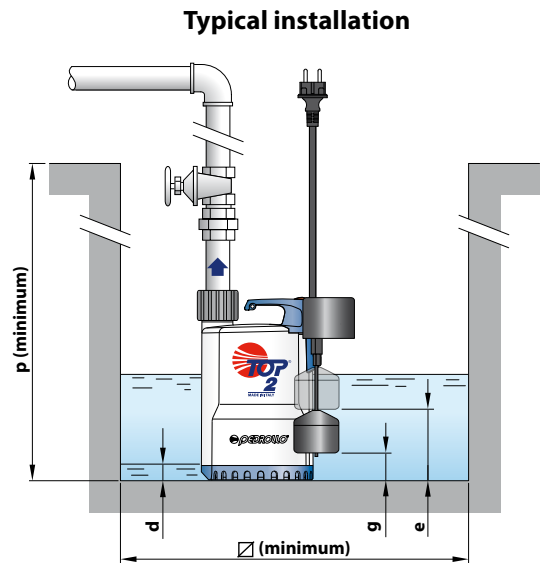
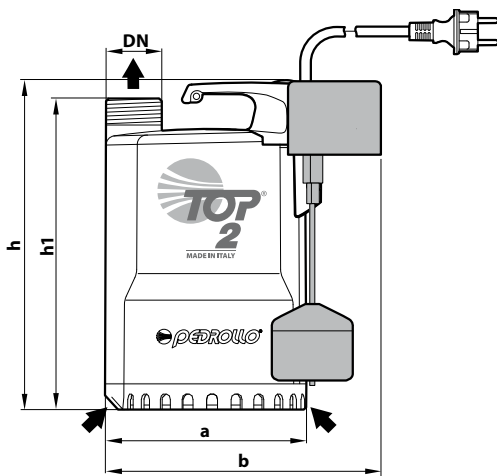
DIMENSIONS AND WEIGHT



TYPE	PORT DN	DIMENSIONS mm							kg	
		a	h	h1	d	e	p	Ø		
Single-phase										
TOP 1	1 1/4"	152	260	240	14	adjustable	350	350	5.4	
TOP 2			290	270					5.4	
TOP 3			290	270					6.7	
TOP 4	1 1/2"	204	337	313	30	adjustable	450	450	10.3	
TOP 5			337	313					11.3	

※ TOP-LA pumps have the same dimensions

※ Version with 'GM' magnetic float switch



TYPE	PORT DN	DIMENSIONS mm									kg
		a	b	h	h1	d	e	g (adjustable)	p	Ø	
Single-phase											
TOP 1 - GM	1 1/4"	152	200	260	240	14	140	35	350	220	5.4
TOP 2 - GM				290	270		170	40			5.4
TOP 3 - GM				290	270		170	40			6.9
TOP 4 - GM	1 1/2"	204	-	337	313	30	220	65	450	300	10.5
TOP 5 - GM				337	313		220	65			11.4

PALLET CAPACITY

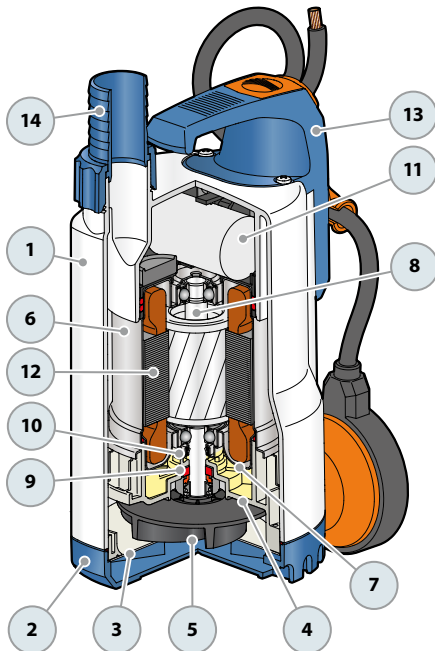
TYPE	NO. OF PUMPS
Single-phase	
TOP 1	80
TOP 2	80
TOP 3	80
TOP 4	45
TOP 5	45

TYPE	NO. OF PUMPS
Single-phase	
TOP 1 - GM	80
TOP 2 - GM	80
TOP 3 - GM	80
TOP 4 - GM	45
TOP 5 - GM	45

TOP 1-2-3

MATERIALS AND COMPONENTS

1 Pump body	Technopolymer		
2 Suction filter	Technopolymer		
3 Suction cover	Stainless steel AISI 304 (for TOP-LA versions AISI 316L)		
4 Diffuser	Technopolymer		
5 Impeller	Noryl™		
6 Motor sleeve	Stainless steel AISI 304 (for TOP-LA versions AISI 316L)		
7 Motor cover	AISI 304 stainless steel		
8 Motor shaft	Stainless steel AISI 431 (for TOP-LA versions AISI 316L)		
9 Mechanical seal			
Water pump	Seal	Shaft	Materials
TOP 1-2-3	STA-12R	Ø 12 mm	Ceramic / Graphite / NBR
TOP 2-3 LA	AR-12R LA	Ø 12 mm	Ceramic / Graphite / NBR
10 Sealing ring	Ø 12 x Ø 19 x H 5 mm		
11 Capacitor			
12 Electric motor	TOP: single-phase 230 V - 50 Hz with winding integrated thermal motor protection - Continuous duty S1 - Insulation: class F - Protection rating IP X8		
13 Handle group	Complete with - 5 m power cable type 'H07 RN-F' with Schuko plug - Float switch (vertical operation in GM versions)		
14 Ferrule and hose nozzle	Hose connector Ø 25 mm for TOP 1 Ø 35 mm for TOP 2-3		



TOP 4-5

MATERIALS AND COMPONENTS

1 Pump body	Technopolymer		
2 Suction filter	Technopolymer		
3 Suction cover	Stainless steel AISI 304		
4 Diffuser	Technopolymer		
5 Impeller	Noryl™		
6 Motor sleeve	Stainless steel AISI 304		
7 Motor cover	Stainless steel AISI 304		
8 Motor shaft	Stainless steel AISI 431		
9 Double mechanical seal with interposed oil chamber			
Seal	Shaft	Location	Materials
MG1-14D SIC	Ø 14 mm	Motor side Pump side	SiC / Graphite / NBR SiC / SiC / NBR
10 Capacitor			
11 Electric motor	TOP: single-phase 230 V - 50 Hz with winding integrated thermal motor protection - Continuous duty S1 - Insulation: class F - Protection rating IP X8		
12 Handle group	Including: - 5 m power cable type 'H07 RN-F' with Schuko plug - Float switch (vertical operation in GM versions)		
13 Sleeve	Threaded technopolymer 1½" with clapet valve		
14 Ferrule and hose nozzle	Hose connector Ø 41 mm		

