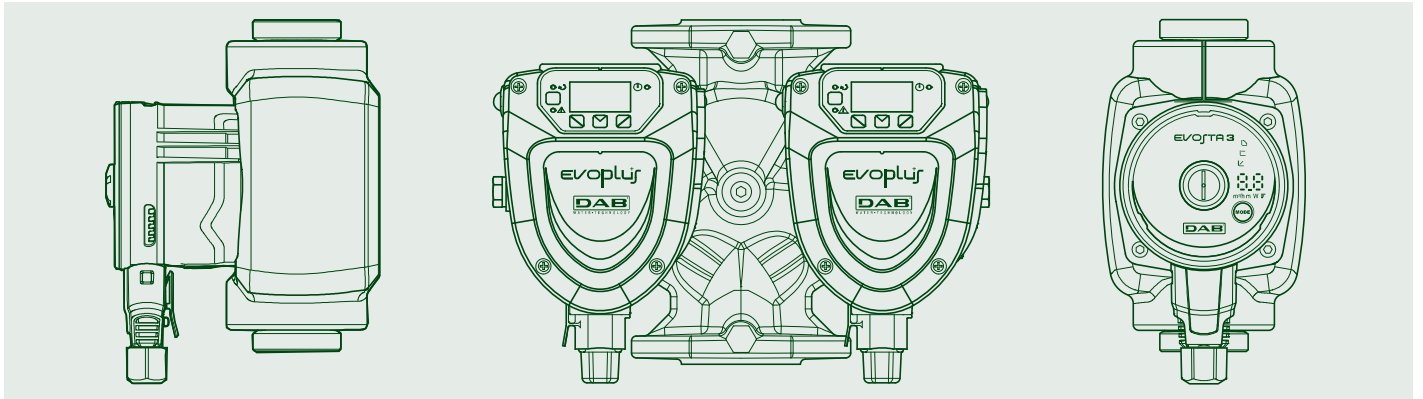


ErP
ready

CIRCULATORS



TECHNICAL CATALOGUE



TECHNICAL DATA

Operating range: from 0,6 a 3,7 m³/h with head of up to 6 metres

Pumped liquid temperature range: from -10 °C to +85 °C for sanitary uses, and +110 °C for other uses

To avoid the formation of calcium, do not exceed 65 °C, and include a calcium removal system when the hardness of the water exceeds 15 French degrees

Pumped liquid: clean, free of solids and mineral oils, non-viscous, chemically neutral, with properties similar to water (glycol max 30%)

Maximum operating pressure: 10 bar (1000 kPa)

Minimum suction pressure: the values are shown in the corresponding tables

Installation: with HORIZONTAL MOTOR AXIS

Special executions on requests: alternative voltages and frequencies

Accessories: 1/2" F - 3/4" F - 1" F union connectors

copper piping welded union connectors: Ø 22 mm
Ø 28 mm

APPLICATIONS

Pump for hot for water circulation in pressurised closed circuit, or open circulation type, domestic heating and air conditioning systems.

CONSTRUCTION FEATURES

Single body consisting of the cast iron hydraulic section and the wet rotor motor. Die-cast aluminium motor casing. Technopolymer impeller. Tempered stainless steel motor shaft on graphite bushings lubricated by the pumped liquid. Stainless steel rotor liner, stator liner and closing flange. Ceramic thrust ring, silicon seal rings, and brass air breather plug. The wet rotor asynchronous two-pole motor is protected as far as resistance, and does not require overload protection.

Three-speed operation.

Protection class: IP 44

Insulation class: F

Cable gland: PG 11

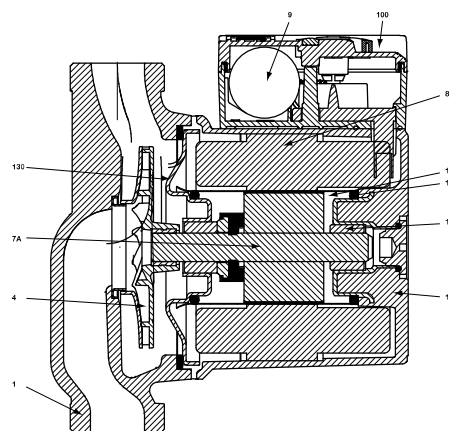
Installation: with horizontal motor axis.

Standard voltage: single-phase 230 V / 50 Hz

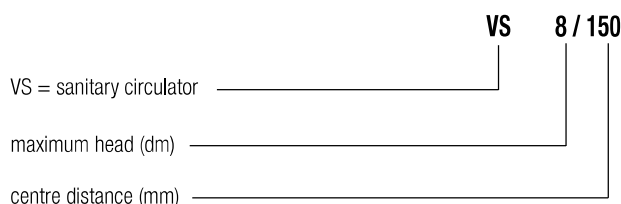
Special versions on request: - alternative voltages and/or frequencies

MATERIALS

N.	PARTS	MATERIALS
1	PUMP BODY	BRONZE
4	IMPELLER	TECHNOPOLYMER
7A	MOTOR SHAFT	CERAMIC
7B	ROTOR	-
8	STATOR	-
9	CAPACITOR	-
10	MOTOR CASING	DIE-CAST ALUMINIUM
11	BREATHER PLUG	BRASS
100	TERMINAL BOX	-
127	SEAL RING	ETHYLENE PROPYLENE
128	STATOR LINER	STAINLESS STEEL
129	ROTOR LINER	STAINLESS STEEL
130	CLOSING FLANGE	STAINLESS STEEL
131	THRUST RING SUPPORT	ETHYLENE PROPYLENE
132	BUSHINGS	GRAPHITE
133	THRUST RING	CERAMIC

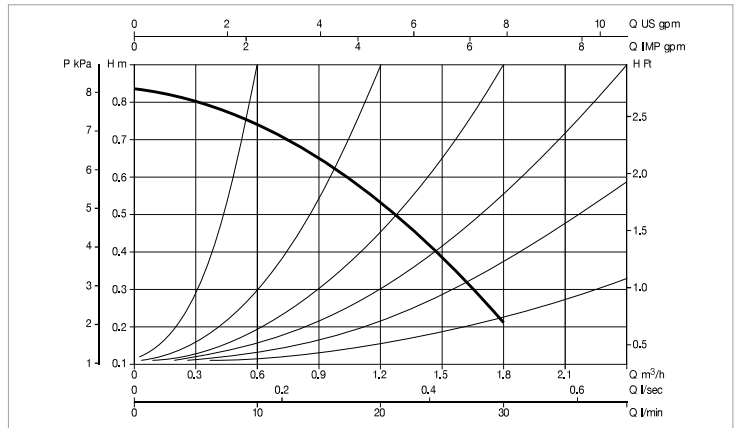
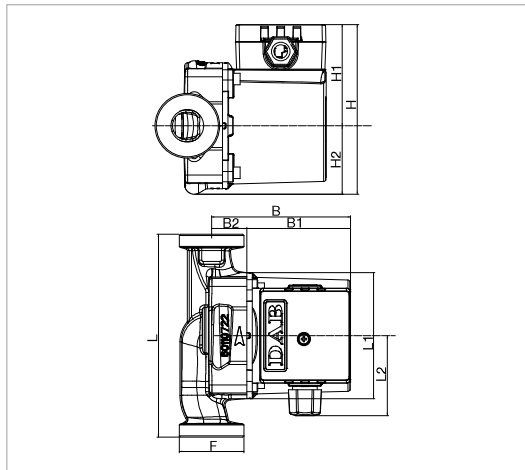


– Legend:
(example)



VS - WET ROTOR CIRCULATORS

Pumped liquid temperature range: from -10 °C to +110°C - Maximum operating pressure: 10 bar (1000 kPa)

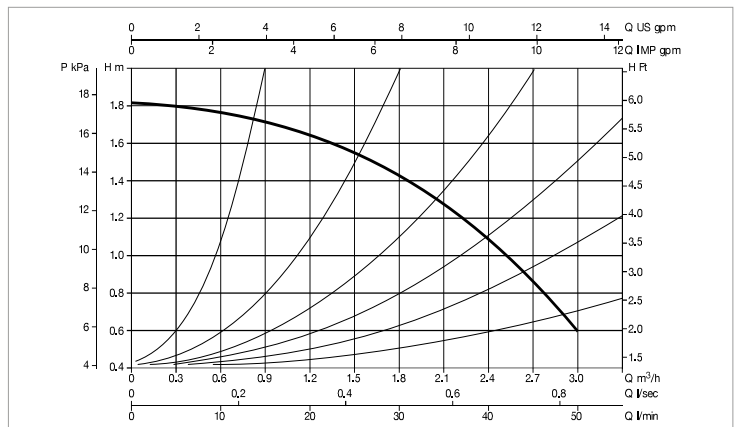
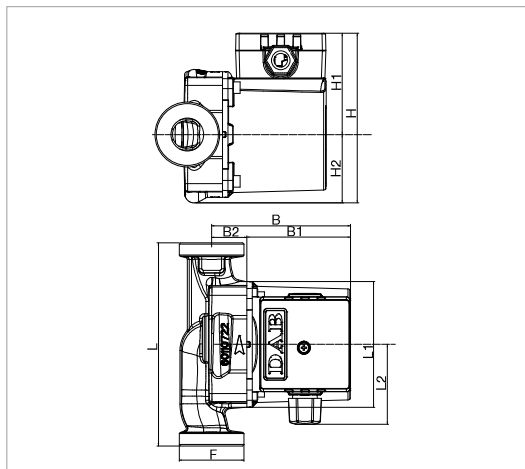


The performance curves are based on kinematic viscosity values = 1 mm²/s and density equal to 1000 kg/m³. Curve tolerance according to ISO 9906.

MODEL	Q=m ³ /h	0	0,6	1,2	1,8	2,4	3	4,2	5,4
	Q=l/min	0	10	20	30	40	50	70	90
VS 8/150 M	H (m)	0,83	0,75	0,52	0,22	-	-	-	-

MODEL	POWER INPUT 50 Hz	CENTRE DISTANCE mm	PUMP CONNECTIONS	UNIONS ON REQUEST	P1 MAX W	In A	CAPACITOR		MINIMUM SUCTION PRESSURE	
							µF	Vc	t°	90°
VS 8/150 M	1 x 230 V ~	150	1 1/2"	Brass 1/2" F - 3/4" F - 1" F Copper d22 e d28	35	0,19	1,5	450	m.c.w.	1,5

MODEL	L	L1	L2	B	B1	B2	H	H1	H2	F GAS	PACKING DIMENSIONS			VOLUME m ³	WEIGHT Kg
											L	B	H		
VS 8/150 M	150	98	60	104	78	26	124	75	49	1 1/2"	134	188	150	0,0038	2,6



The performance curves are based on kinematic viscosity values = 1 mm²/s and density equal to 1000 kg/m³. Curve tolerance according to ISO 9906.

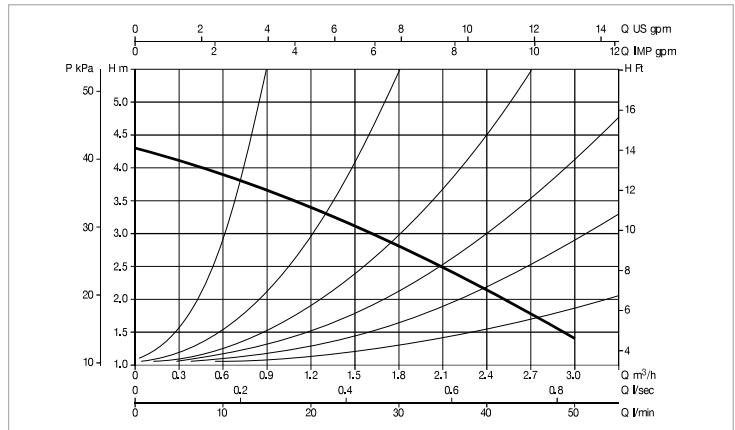
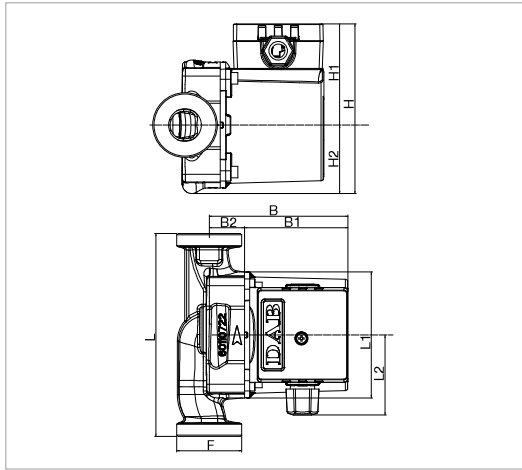
MODEL	Q=m ³ /h	0	0,6	1,2	1,8	2,4	3	4,2	5,4
	Q=l/min	0	10	20	30	40	50	70	90
VS 16/150 M	H (m)	1,82	1,75	1,65	1,44	1,07	0,6	-	-

MODEL	POWER INPUT 50 Hz	CENTRE DISTANCE mm	PUMP CONNECTIONS	UNIONS ON REQUEST	P1 MAX W	In A	CAPACITOR		MINIMUM SUCTION PRESSURE	
							µF	Vc	t°	90°
VS 16/150 M	1 x 230 V ~	150	1 1/2"	Brass 1/2" F - 3/4" F - 1" F Copper d22 e d28	41	0,19	1,5	450	m.c.w.	1,5

MODEL	L	L1	L2	B	B1	B2	H	H1	H2	F GAS	PACKING DIMENSIONS			VOLUME m ³	WEIGHT Kg
											L	B	H		
VS 16/150 M	150	98	60	104	78	26	124	75	49	1 1/2"	134	188	150	0,0038	2,6

VS - WET ROTOR CIRCULATORS

Pumped liquid temperature range: from -10 °C to +110 °C - Maximum operating pressure: 10 bar (1000 kPa)

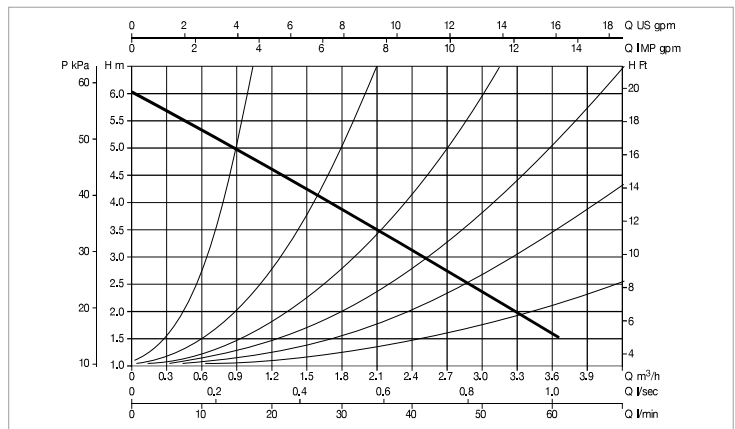
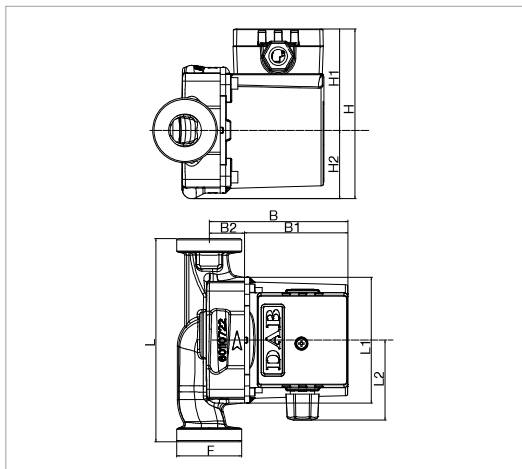


The performance curves are based on kinematic viscosity values = 1 mm²/s and density equal to 1000 kg/m³. Curve tolerance according to ISO 9906.

MODEL	Q=m³h	0	0,6	1,2	1,8	2,4	3	4,2	5,4
	Q=l/min	0	10	20	30	40	50	70	90
VS 35/150 M	H (m)	4,1	3,7	3,3	2,82	2,2	1,3	-	-

MODEL	POWER INPUT 50 Hz	CENTRE DISTANCE mm	PUMP CONNECTIONS	UNIONS ON REQUEST	P1 MAX W	In A	CAPACITOR		MINIMUM SUCTION PRESSURE	
							µF	Vc	t°	90°
VS 35/150 M	1 x 230 V ~	150	1 1/2"	Brass 1/2" F - 3/4" F - 1" F Copper d22 e d28	55	0,24	1,7	450	m.c.w.	1,5

MODEL	L	L1	L2	B	B1	B2	H	H1	H2	F GAS	PACKING DIMENSIONS			VOLUME m³	WEIGHT Kg
											L	B	H		
VS 35/150 M	150	98	60	104	78	26	124	75	49	1 1/2"	134	188	150	0,0038	2,6



The performance curves are based on kinematic viscosity values = 1 mm²/s and density equal to 1000 kg/m³. Curve tolerance according to ISO 9906.

MODEL	Q=m³h	0	0,6	1,2	1,8	2,4	3	4,2	5,4
	Q=l/min	0	10	20	30	40	50	70	90
VS 65/150 M	H (m)	6	5,3	4,6	3,85	3,1	2,35	-	-

MODEL	POWER INPUT 50 Hz	CENTRE DISTANCE mm	PUMP CONNECTIONS	UNIONS ON REQUEST	P1 MAX W	In A	CAPACITOR		MINIMUM SUCTION PRESSURE	
							µF	Vc	t°	90°
VS 65/150 M	1 x 230 V ~	150	1 1/2"	Brass 1/2" F - 3/4" F - 1" F Copper d22 e d28	78	0,34	2	450	m.c.w.	1,5

MODEL	L	L1	L2	B	B1	B2	H	H1	H2	F GAS	PACKING DIMENSIONS			VOLUME m³	WEIGHT Kg
											L	B	H		
VS 65/150 M	150	98	60	104	78	26	124	75	49	1 1/2"	134	188	150	0,0038	2,6

DWA

PUMPS SELECTOR

On-line product selection



DAB PUMPS LTD.
6 Gilberd Court
Newcomen Way
Severalls Business Park
Colchester
Essex
CO4 9WN - UK
salesuk@dwtgroup.com
Tel. +44 0333 777 5010



DAB PUMPS IBERICA S.L.
Calle Verano 18-20-22
28850 - Torrejón de Ardoz - Madrid
Spain
Info.spain@dwtgroup.com
Tel. +34 91 6569545
Fax: + 34 91 6569676



DAB PUMPS SOUTH AFRICA (PTY) LTD
Twenty One Industrial Estate,
16 Purlin Street, Unit B, Warehouse 4
Olifantsfontein - 1666 - South Africa
info.sa@dwtgroup.com
Tel. +27 12 361 3997



DAB PUMPS BV
'tHofveld 6 C1
1702 Groot Bijgaarden - Belgium
info.belgium@dwtgroup.com
Tel. +32 2 4668353



DAB PUMPS HUNGARY KFT.
H-8800
Nagykanizsa, Buda Ernő u.5
Hungary
Tel. +36 93501700



DAB PUMPS (QINGDAO) CO. LTD.
No.40 Kaituo Road, Qingdao Economic & Technological
Development Zone
Qingdao City, Shandong Province - China
PC: 266500
sales.cn@dwtgroup.com
Tel. +86 400 186 8280
Fax +86 53286812210



DAB PUMPS B.V.
Albert Einsteinweg, 4
5151 DL Drunen - Nederland
info.netherlands@dwtgroup.com
Tel. +31 416 387280
Fax +31 416 387299



DAB PUMPS POLAND Sp. z o.o.
Ul. Janka Muzykanta 60
02-188 Warszawa - Poland
polska@dabpumps.com.pl



DAB PUMPS DE MÉXICO, S.A. DE C.V.
Av Amsterdam 101 Local 4
Col. Hipódromo Condesa,
Del. Cuauhtémoc CP 06170
Ciudad de México
Tel. +52 55 6719 0493



OOO DAB PUMPS
Novgorodskaya str. 1, block G
office 308, 127247, Moscow - Russia
info.russia@dwtgroup.com
Tel. +7 495 122 0035
Fax +7 495 122 0036



DAB PUMPEN DEUTSCHLAND GmbH
Tackweg 11
D - 47918 Tönisvorst - Germany
info.germany@dwtgroup.com
Tel. +49 2151 82136-0
Fax +49 2151 82136-36



DAB PUMPS INC.
3226 Benchmark Drive
Ladson, SC 29456 - USA
info.usa@dwtgroup.com
Tel. 1- 843-797-5002
Fax 1-843-797-3366



DAB PUMPS OCEANIA PTY LTD
426 South Gippsland Hwy,
Dandenong South VIC 3175 - Australia
info.oceania@dwtgroup.com
Tel. +61 1300 378 677