



※ **Advanced design and high-quality materials assure long-term performance and reliability**



PERFORMANCE RANGE

- Flow rate up to **1800 l/min** (108 m³/h)
- Head up to **26 m**

INSTALLATION AND USE

The **VX** series is constructed from thick stainless steel and cast iron, offering exceptional robustness, abrasion resistance, and durability. The pumps feature **VORTEX**-type impellers, renowned for their reliable operation and minimal risk of clogging.

Recommended for various applications including sewage with suspended solids, wastewater, rainwater, city sewage, and industrial wastewater.

They are suitable for a wide range of applications, including sewers, tunnels, excavations, canals, and underground parking facilities.

ELECTRIC MOTOR

※ **The electric motor is safeguarded by a special three-phase thermal protector, situated within the motor, which activates in case of overheating or abnormal power consumption.**

INCLUDES

- ※ Power cable length **10 m**

APPLICATION LIMITS

- Depth below water level up to **10 m** (with an appropriately sized power cable)
- Liquid temperature up to **+40 °C**
- Suspended solids transfer:
 - up to **Ø 50 mm** for VX/50
 - up to **Ø 65 mm** for VX/65
 - up to **Ø 80 mm** for VX/80
- **Minimum immersion for continuous service: 500 mm**

AVAILABLE UPON REQUEST

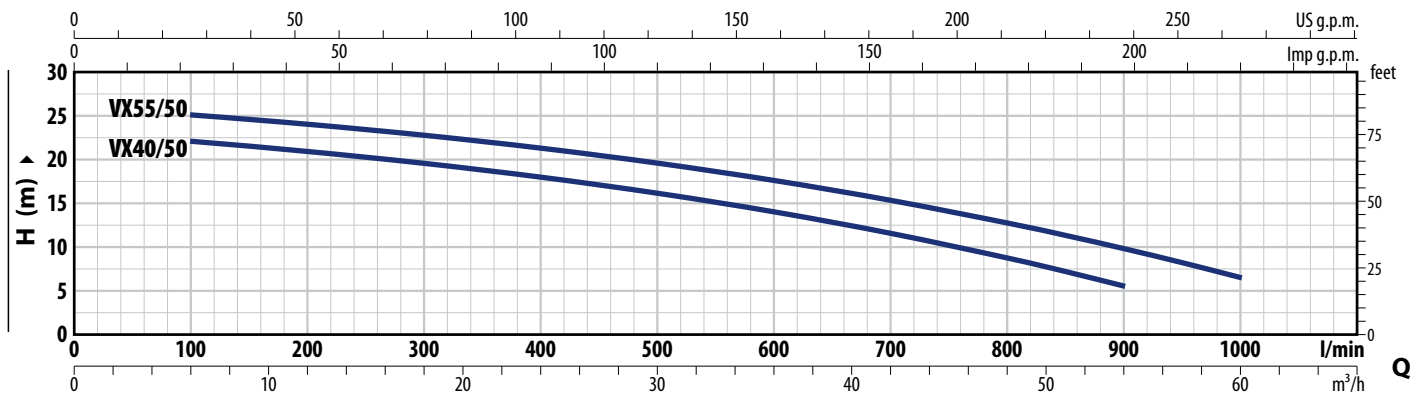
- ※ Different voltage requirements 60 Hz frequency

PATENTS - TRADE MARKS - MODELS

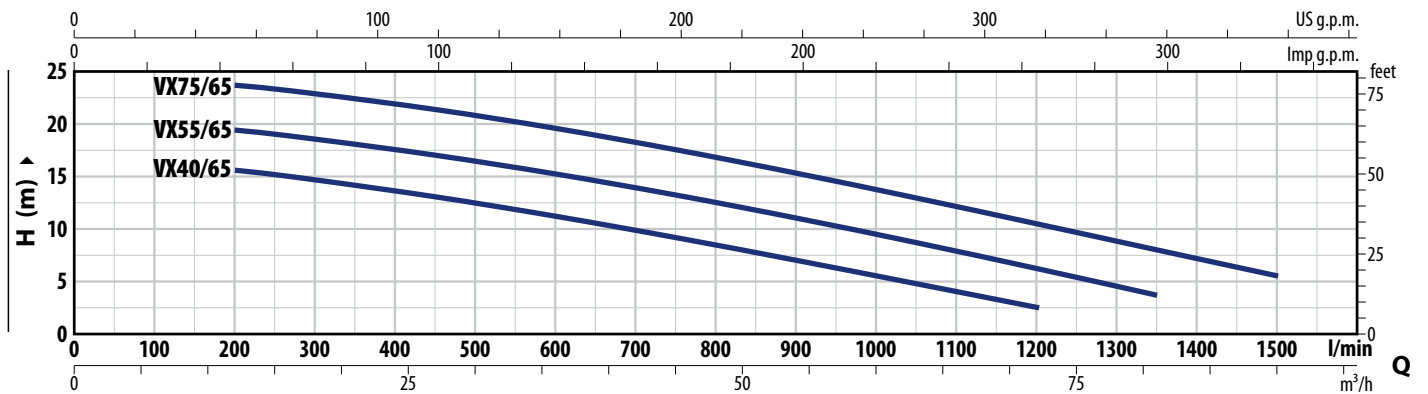
- Registered Community Model No. 003863158-0002

CURVES AND PERFORMANCE DATA

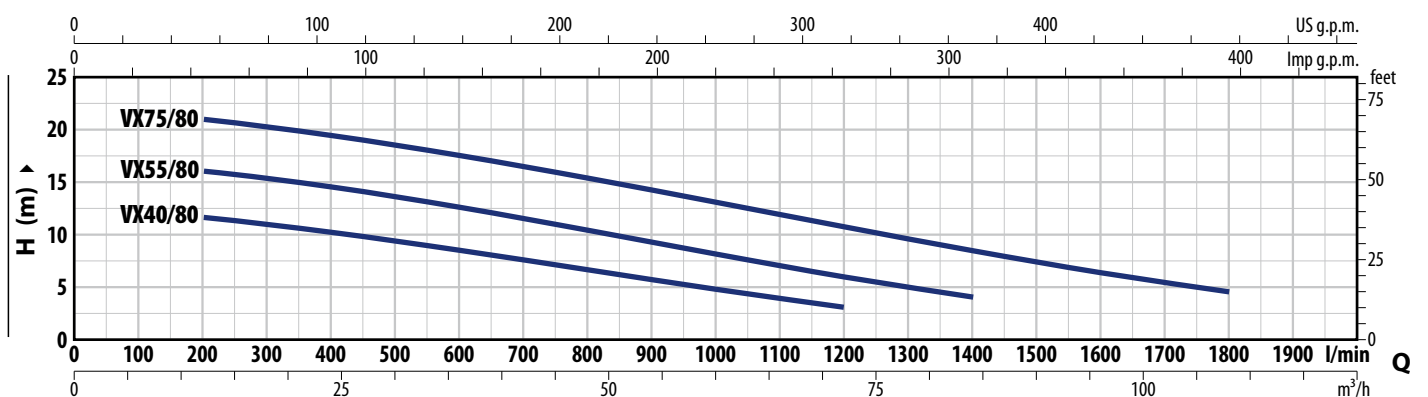
50 Hz



TYPE Three-phase	POWER (P ₂)		Q	m ³ /h												
	kW	HP		0	6	12	18	24	30	36	42	48	54	60		
VX 40/50	3	4	H metres	23	22	20.8	19.5	18	16	14	11.5	8.7	5.5			
VX 55/50	4	5.5	H metres	26	25	24	22.7	21.2	19.5	17.5	15.3	12.7	9.8	6.5		



TYPE Three-phase	POWER (P ₂)		Q	m ³ /h												
	kW	HP		0	12	18	27	36	45	54	63	72	81	90		
VX 40/65	3	4	H metres	17	15.6	14.7	13	11.2	9.2	7	4.8	2.5				
VX 55/65	4	5.5	H metres	20.7	19.4	18.5	17	15.2	13.2	11	8.7	6.2	3.7			
VX 75/65	5.5	7.5	H metres	24.8	23.6	23	21.4	19.6	17.5	15.2	13	10.5	8	5.5		



TYPE Three-phase	POWER (P ₂)		Q	m ³ /h												
	kW	HP		0	12	24	36	48	60	72	84	96	108			
VX 40/80	3	4	H metres	12.5	11.5	10.2	8.5	6.7	5	3						
VX 55/80	4	5.5	H metres	16.5	16	14.4	12.5	10.3	8	6	4					
VX 75/80	5.5	7.5	H metres	22	21	19.2	17.4	15.2	13	10.7	8.4	6.4	4.5			

Q = Flow rate H = Total manometric head

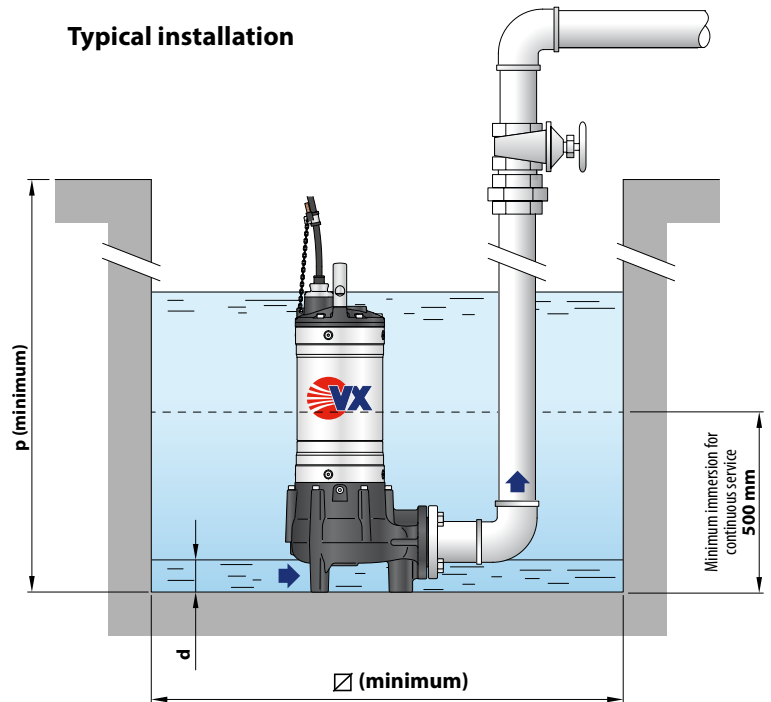
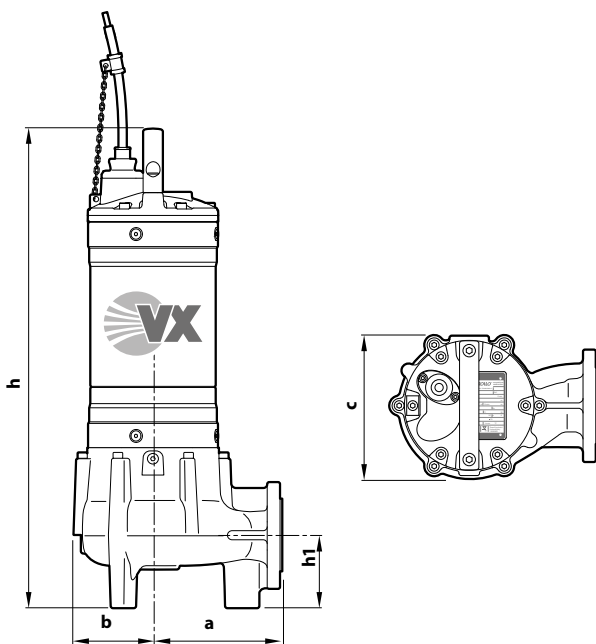
Performance curves comply with EN ISO 9906 Grade 3B tolerance limits.

ABSORPTION

TYPE	VOLTAGE
Three-phase	400 V
VX 40/50	5.8 A
VX 55/50	7.0 A
VX 40/65	6.2 A
VX 55/65	7.7 A
VX 75/65	12.7 A

TYPE	VOLTAGE
Three-phase	400 V
VX 40/80	6.0 A
VX 55/80	8.5 A
VX 75/80	13.5 A

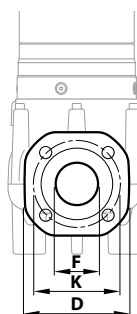
DIMENSIONS AND WEIGHT



TYPE	Passage of solid bodies	DIMENSIONS mm								kg
		a	b	c	h	h1	d	p	∅	
Three-phase	∅ 50 mm	170	106	193	602	100	55	700	500	3~
VX 40/50					642	50.0				
VX 55/50					630	59.0				
VX 40/65	∅ 65 mm	170	107	196	670	121	70	800	500	54.0
VX 55/65					700	60.0				
VX 75/65					655	67.0				
VX 40/80	∅ 80 mm	178	107	210	695	150	85	800	500	54.8
VX 55/80					725	60.0				
VX 75/80					68.0					

PORT FLANGE

TYPE	FLANGE	F	K	D	HOLES	
					N°	∅ (mm)
Three-phase	DN		mm	mm		
VX 40/50	50	2"	125	150	4	18
VX 55/50	(PN10)					
VX 40/65	65	2½"	145	185	8	18
VX 55/65	(PN10)					
VX 75/65						
VX 40/80	80	3"	160	200	8	18
VX 55/80	(PN10)					
VX 75/80						



PALLET CAPACITY

TYPE	NO. OF PUMPS
Three-phase	
VX 40/50	10
VX 55/50	12
VX 40/65	12
VX 55/65	12
VX 75/65	12
VX 40/80	12
VX 55/80	12
VX 75/80	12

MATERIALS AND COMPONENTS

1 Pump body Cast iron with cataphoresis treatment

2 Impeller Cast iron VORTEX type with cataphoresis treatment

3 Motor sleeve Stainless steel **AISI 304**

4 Motor cover Cast iron with cataphoresis treatment

5 Motor shaft Stainless steel **AISI 431**

6 Double mechanical seal with interposed oil chamber

Water pump	Seal	Shaft	Location	Materials
VX 50	ED560-25	Ø 25 mm	Motor side	Silicon carbide / Graphite / NBR
			Pump side	Silicon carbide/Silicon carbide/NBR
VX 65-80	AR-27	Ø 27 mm	Motor side	Silicon carbide / Graphite / NBR
	AR-25	Ø 25 mm	Pump side	Silicon carbide/Silicon carbide/NBR

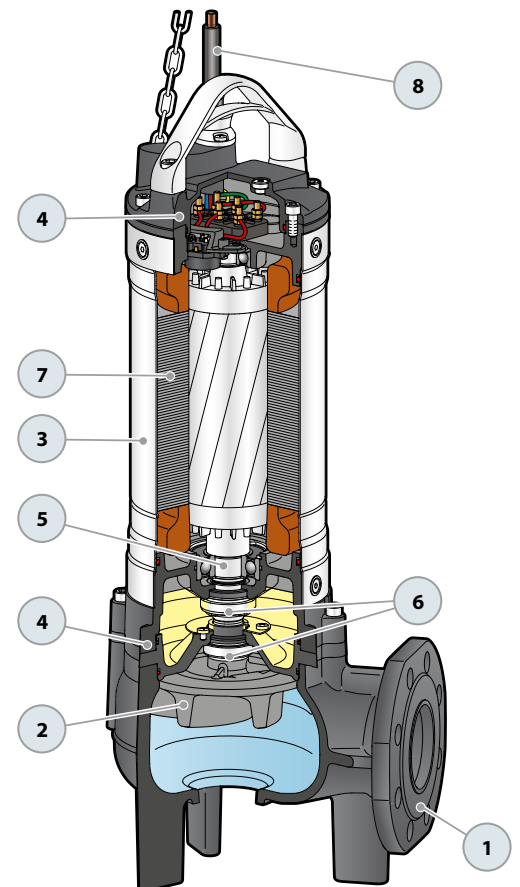
7 Electric Motor

Three-phase 400 V - 50Hz
with winding integrated thermal motor protection

- Insulation: class F
- Protection rating: IP X8

8 Power cord

※ 10 metres 'H07 RN-F' type



SEWAGE LIFTING SYSTEM VX - BC

VERSION WITH HORIZONTAL DELIVERY AND 3/4" GUIDE PIPES

For VX /50	Code ASSPVX50	DN 2
-------------------	---------------	-------------

※ Kit consisting of:



Coupling foot



Guide rail



Support for guide tubes



VERSION WITH VERTICAL DELIVERY AND 3/4" GUIDE PIPES

For VX /50	Code ASSPVX503V	DN 2 1/2"
For VX /65, BC /35	Code ASSPVX653V	DN 3"
For BC /50	Code ASSVXCF071V	

VERSION WITH VERTICAL DELIVERY AND 2" GUIDE TUBES

For VX /50	Code ASSPVX50V	DN 3"
For VX /65, BC /35	Code ASSPVX65V	
For VX /80, BC /50	Code ASSVXCF0705V	

※ Kit consisting of:



Coupling foot complete with counterflange



Guide rail



Support for guide tubes



● ACCESSORIES AVAILABLE FOR ORDER

RUNNING GUIDE

※ For VX /50 with Ø 3/4" guide tubes	Code ASSFL009
※ For VX /65, BC /35 with Ø 3/4" guide tubes	Code ASSFL010
※ For BC /50 with Ø 3/4" guide tubes	Code ASSFL0018
※ For VX /50 with Ø 2" guide tubes	Code ASSFL050
※ For VX /65, BC /35 with Ø 2" guide tubes	Code ASSFL065
※ For VX /80, BC /50 with Ø 2" guide tubes	Code ASSFL072

Complete with screws and seals



for Ø 3/4" guide tubes



for guide tubes Ø 2"

INTERMEDIATE GUIDE TUBE SUPPORT

※ For Ø 3/4" guide tubes	Code 859SV340INTFA
※ For guide tubes Ø 2"	Code 859SV349INTFA

For reasons of stability, an intermediate support should be interposed:

- every 2 metres with 3/4" guide pipes (mandatory)
- every 3 metres with 2" guide tubes (recommended)



for Ø 3/4" guide tubes



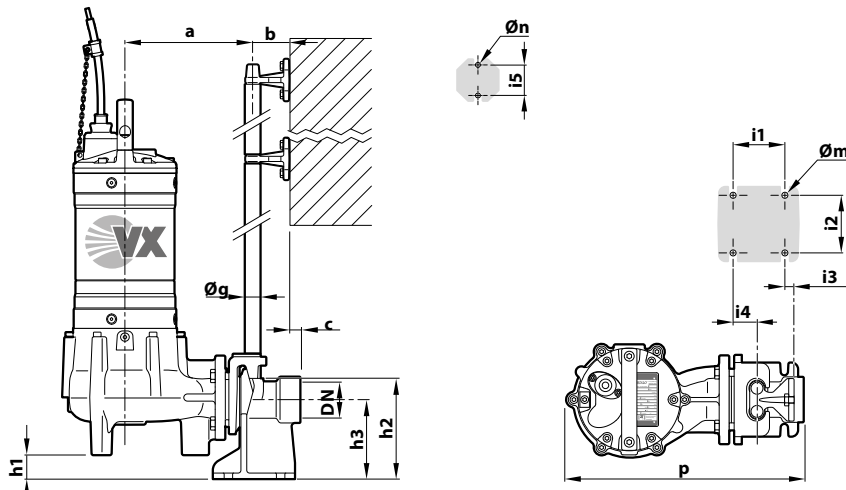
for guide tubes Ø 2"

GUIDE TUBE (AISI 304 stainless steel)

※ 2 metres Ø 3/4" guide tube	Code 54SARTG0052F
※ 3 metres Ø 3/4" guide tube	Code 54SARTG0053F
※ 6 metres Ø 3/4" guide tube	Code 54SARTG0056F
※ 3 metres Ø 2" guide tube	Code 54SARTG0063F
※ 6 metres guide tube Ø 2"	Code 54SARTG0066F

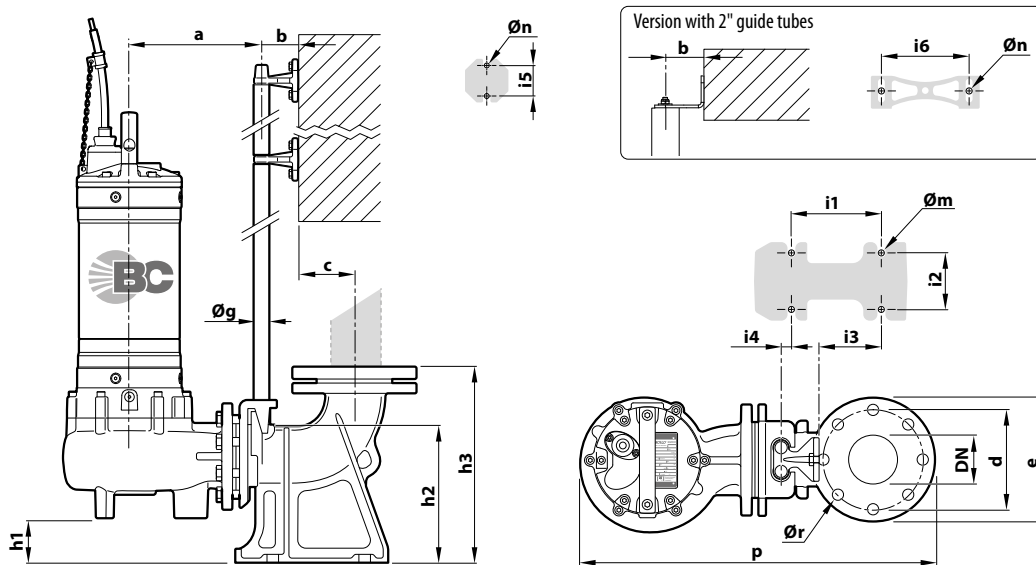


DIMENSIONS (HORIZONTAL delivery version)



TYPE	Solid bodies mm	PORT DN	DIMENSIONS mm														
			a	b	c	p	h1	h2	h3	i1	i2	i3	i4	i5	Øg	Øm	Øn
VX /50	Ø 50	2"	214	61	17	400	30	165	130	85	94	16	40	50	¾"	12	11

DIMENSIONS (Version with VERTICAL delivery)



※ Version with ¾" guide tubes

TYPE	Solid bodies mm	PORT DN	DIMENSIONS mm																	
			a	b	c	d	e	p	h1	h2	h3	i1	i2	i3	i4	i5	Øg	Øm	Øn	Ør
VX /50	Ø 50 mm	2½"	211	61	52	125	165	506	28	164	216	120	72	62	3	50	¾"	14	11	18
VX /65	Ø 65 mm	3"	213		69	150	190	537	48	216	280	130	112	84	15					
BC /35	Ø 35 mm		231		550	69														
BC /50	Ø 50 mm		222		553	19														

※ Version with 2" guide tubes

TYPE	Solid bodies mm	PORT DN	DIMENSIONS mm																		
			a	b	c	d	e	p	h1	h2	h3	i1	i2	i3	i4	i5	i6	Øg	Øm	Øn	Ør
VX /50	Ø 50 mm	3"	319	86	95	160	200	706	107	264	392	250	150	34	-	80	186	2"	22	13.5	18
VX /65	Ø 65 mm							697	86												
VX /80	Ø 80 mm							714	57												
BC /35	Ø 35 mm							710	107												
BC /50	Ø 50 mm							714	57												