

-  Sewage
-  Domestic use
-  Civil use
-  Industrial use

※ The Go-To Pump for Demanding Conditions and Performance Requirements



PERFORMANCE RANGE

- Flow rate up to **750 l/min** (45 m³/h)
- Head up to **15.5 m**

INSTALLATION AND USE

VX pumps are renowned for their reliability, especially in automated fixed installations.

Ideal for **domestic, civil, and industrial settings**, they efficiently handle suspended solids up to 50 mm in diameter, including in **groundwater, surface water, and sewage**.

They are also perfect for pumping out flooded areas like basements, underground parking garages, car wash stations, and emptying septic tanks and sewage systems.

※ The VORTEX impeller can handle solids up to **50 mm** in diameter. Its unique design ensures safe operation against clogging.

INCLUDES

- ※ Power cable length:
 - **5 m** for VX 8 and VX 10
 - **10 m** for VX 15 and VX 20
- ※ Float switch (exclusive to single-phase models)

APPLICATION LIMITS

- Depth below water level up to **5 m** (with an appropriately sized power cable)
- Liquid temperature up to **+40 °C**
- Suspended solids transfer:
 - up to **Ø 40 mm** for VX /35
 - up to **Ø 50 mm** for VX /50
- **Minimum immersion for continuous service:**
 - **290 mm** for VX 8 and VX 10
 - **330 mm** for VX 15
 - **360 mm** for VX 20

AVAILABLE UPON REQUEST

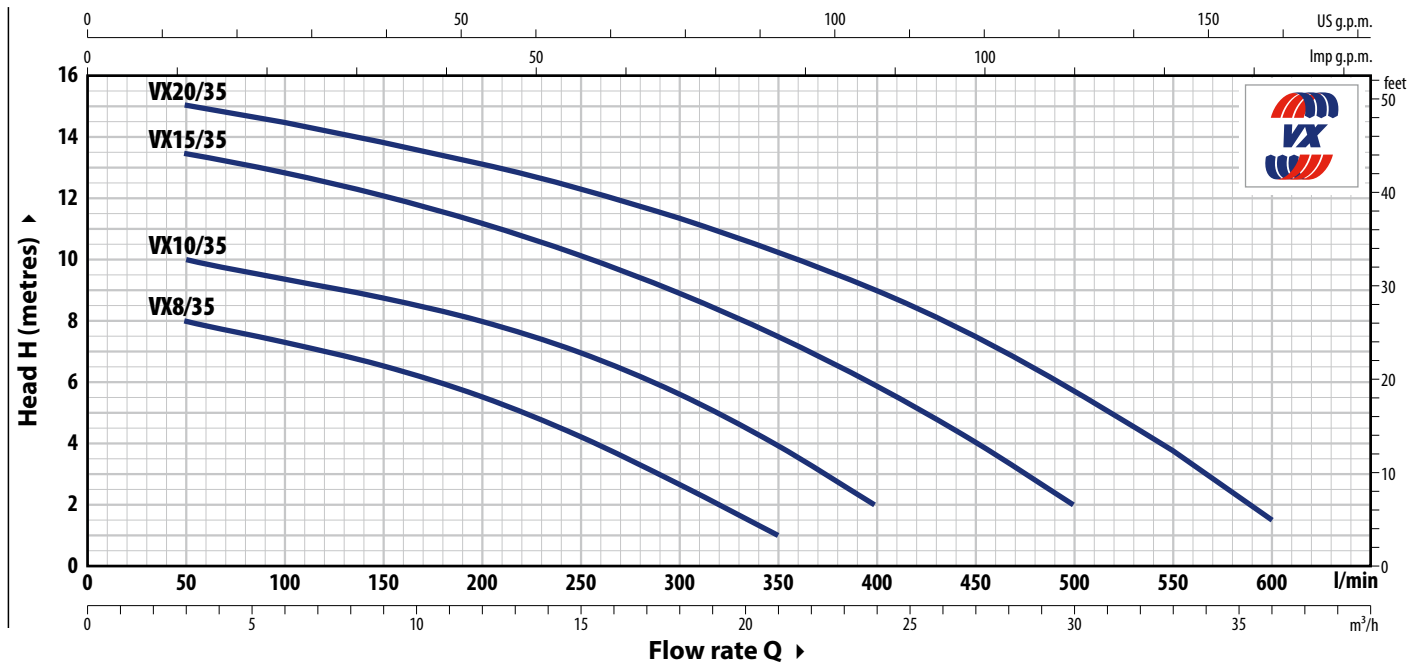
- ※ Pumps with **10 m** power cable for VX 8 and VX 10
- ※ Different voltage requirements 60 Hz frequency

PATENTS - TRADE MARKS - MODELS

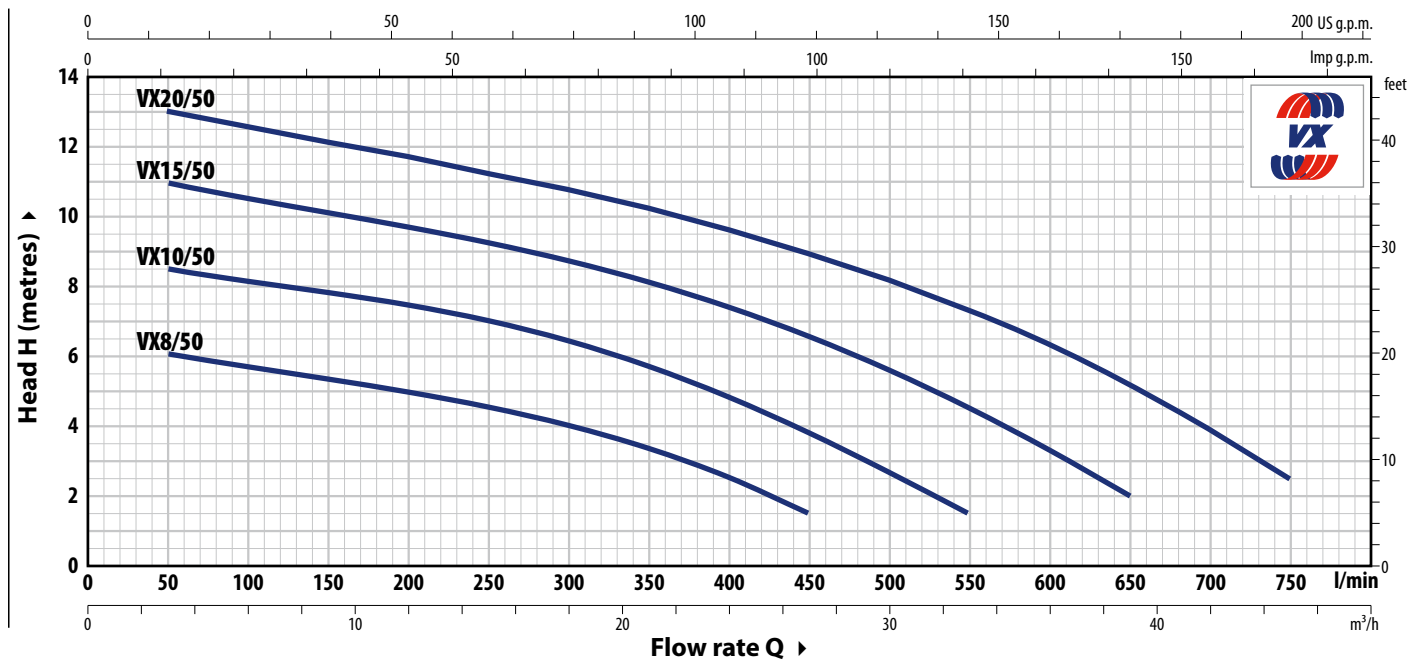
- Patent No. EP2313658
- Patent No. IT0001428923

CURVES AND PERFORMANCE DATA

50 Hz



TYPE		POWER (P ₂)		Q	H metres													
Single-phase	Three-phase	kW	HP		m ³ /h	0	3	6	12	18	21	24	27	30	33	36		
				l/min	0	50	100	200	300	350	400	450	500	550	600			
VXm 8/35	VX 8/35	0.55	0.75		9	8	7.5	5.5	2.7	1								
VXm 10/35	VX 10/35	0.75	1		11	10	9.5	8	5.7	4	2							
VXm 15/35	VX 15/35	1.1	1.5		14	13.5	12.8	11.2	9	7.7	6	4	2					
VXm 20/35	VX 20/35	1.5	2		15.5	15	14.5	13	11.5	10.3	9	7.5	5.8	3.8	1.5			



TYPE		POWER (P ₂)		Q	H metres													
Single-phase	Three-phase	kW	HP		m ³ /h	0	3	6	12	18	24	27	30	33	36	39	45	
				l/min	0	50	100	200	300	400	450	500	550	600	650	750		
VXm 8/50	VX 8/50	0.55	0.75		6.5	6	5.8	5	4	2.5	1.5							
VXm 10/50	VX 10/50	0.75	1		9	8.5	8.2	7.5	6.5	5	3.8	2.5	1.5					
VXm 15/50	VX 15/50	1.1	1.5		11.5	11	10.5	9.8	8.7	7.5	6.5	5.5	4.5	3.5	2			
VXm 20/50	VX 20/50	1.5	2		13.5	13	12.5	11.5	10.7	9.5	9	8	7.5	6.5	5	2.5		

Q = Flow rate H = Total manometric head

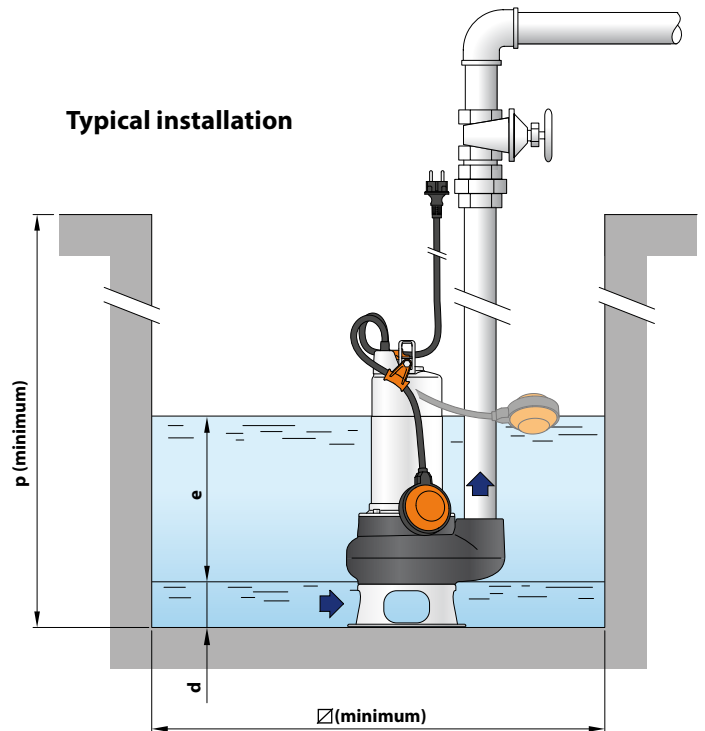
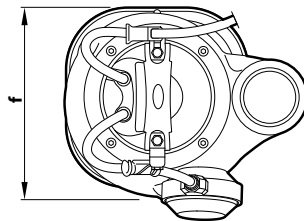
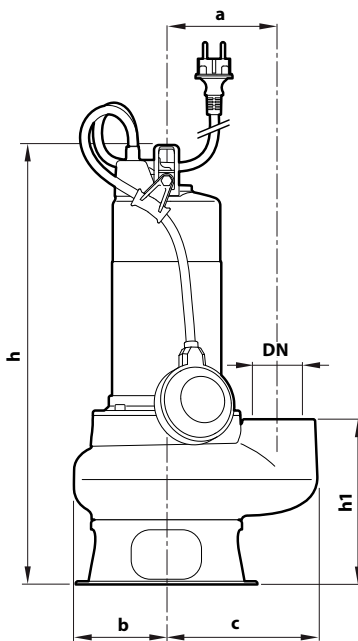
Performance curves comply with EN ISO 9906 Grade 3B tolerance limits.

ABSORPTION

TYPE	VOLTAGE
Single-phase	230 V
VXm 8/35	4.3 A
VXm 10/35	5.5 A
VXm 15/35	7.0 A
VXm 20/35	9.6 A
VXm 8/50	4.3 A
VXm 10/50	5.5 A
VXm 15/50	7.0 A
VXm 20/50	9.6 A

TYPE	VOLTAGE
Three-phase	400 V
VX 8/35	1.6 A
VX 10/35	2.2 A
VX 15/35	2.7 A
VX 20/35	3.7 A
VX 8/50	1.6 A
VX 10/50	2.2 A
VX 15/50	2.7 A
VX 20/50	3.7 A

DIMENSIONS AND WEIGHT



TYPE		PORT DN	Passage of solid bodies	DIMENSIONS mm											kg	
Single-phase	Three-phase			a	b	c	f	h	h1	d	e	p	Ø	1~	3~	
VXm 8/35	VX 8/35	1½"	Ø 40 mm	115	95	148	200	425	158	55	adjustable	500	500	13.7	12.6	
VXm 10/35	VX 10/35							440						15.2	14.0	
VXm 15/35	VX 15/35							473						18.0	16.4	
VXm 20/35	VX 20/35							503						20.2	18.0	
VXm 8/50	VX 8/50	2"	Ø 50 mm	115	95	155	200	436	169	60	adjustable	500	500	14.2	13.1	
VXm 10/50	VX 10/50							451						15.7	14.5	
VXm 15/50	VX 15/50							484						18.5	16.9	
VXm 20/50	VX 20/50							514						20.7	18.5	

PALLET CAPACITY

TYPE		NO. OF PUMPS
Single-phase	Three-phase	
VXm 8/35	VX 8/35	45
VXm 10/35	VX 10/35	45
VXm 15/35	VX 15/35	30
VXm 20/35	VX 20/35	30
VXm 8/50	VX 8/50	45
VXm 10/50	VX 10/50	45
VXm 15/50	VX 15/50	30
VXm 20/50	VX 20/50	30

MATERIALS AND COMPONENTS

1 Pump body	Cast iron with cathaphoresis treatment for greater corrosion resistance with ISO 228/1 threaded port		
2 Base	Stainless steel AISI 304		
3 Impeller	VORTEX type in AISI 304 stainless steel.		
4 Motor sleeve	Stainless steel AISI 304		
5 Motor cover	AISI 304 stainless steel for VX 8-10 Cast iron with cathaphoresis treatment for VX 15-20		
6 Motor shaft	Stainless steel AISI 431		
7 Double mechanical seal in oil chamber			
Seal	Shaft	Location	Materials
MG1-14D SIC	Ø 14 mm	Motor side Pump side	Silicon carbide / Graphite / NBR Silicon carbide/Silicon carbide/NBR
8 Capacitor	(exclusive to single-phase models)		
9 Electric motor			
VXm:	single-phase 230 V - 50 Hz with winding integrated thermal motor protection		
VX:	three-phase 400 V - 50 Hz		
	– Insulation: class F		
	– Protection rating: IP X8		
10 Power cord			
	Power cable encapsulated with epoxy resin both in the grommet area and where the conductors exit the sheath, for absolute insulation against moisture and water.		
	Type 'H07 RN-F (Schuko plug exclusive to single-phase models) ※ Standard length 5 metres (10 metres for VX 15 and VX 20)		
11 Float switch	(exclusive to single-phase models)		
12 Tilting device for the float cable	(exclusive to single-phase models) Patent No. IT0001428923		
13 Power cable strain relief	Patent No. EP2313658		

