



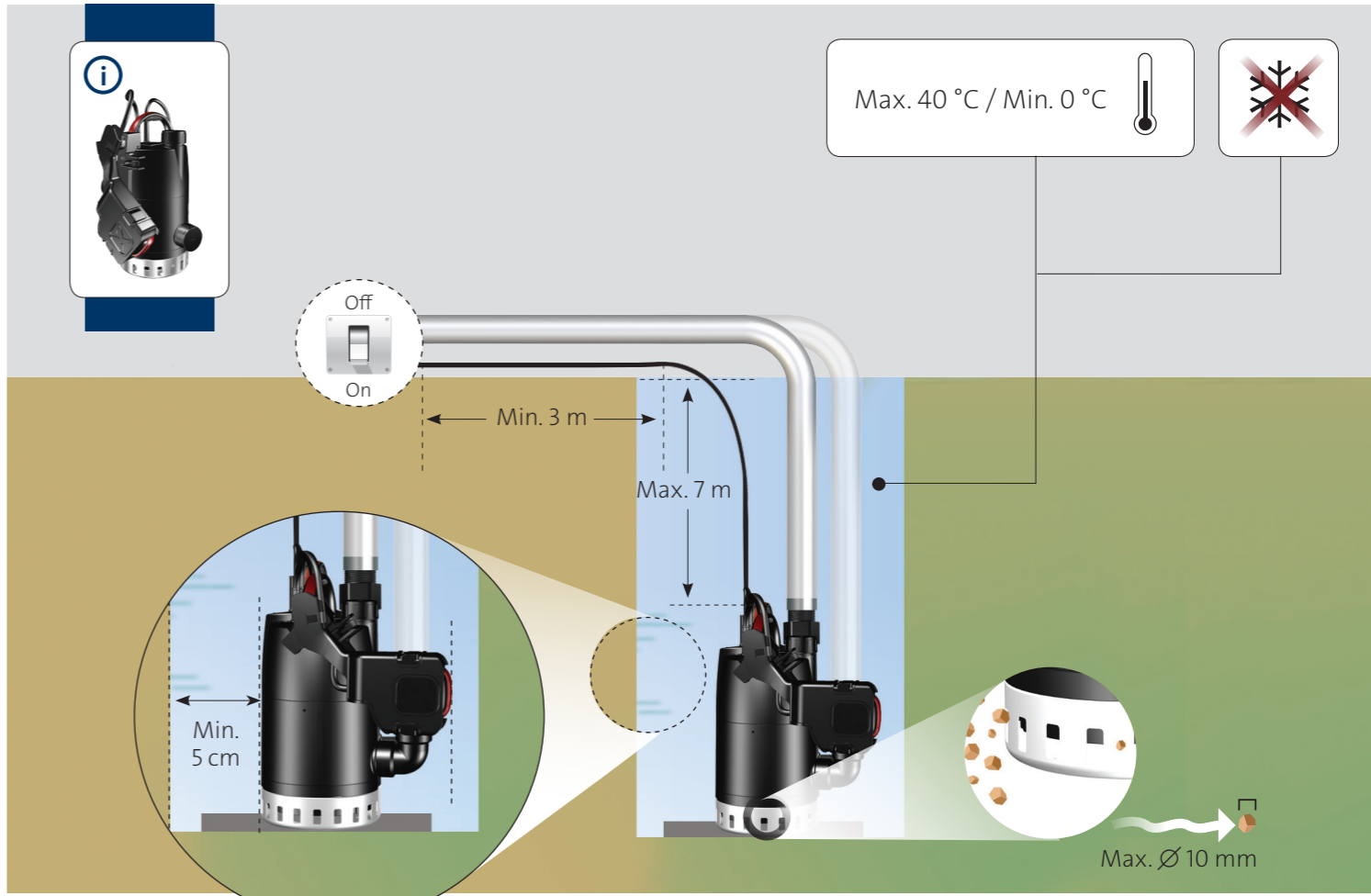
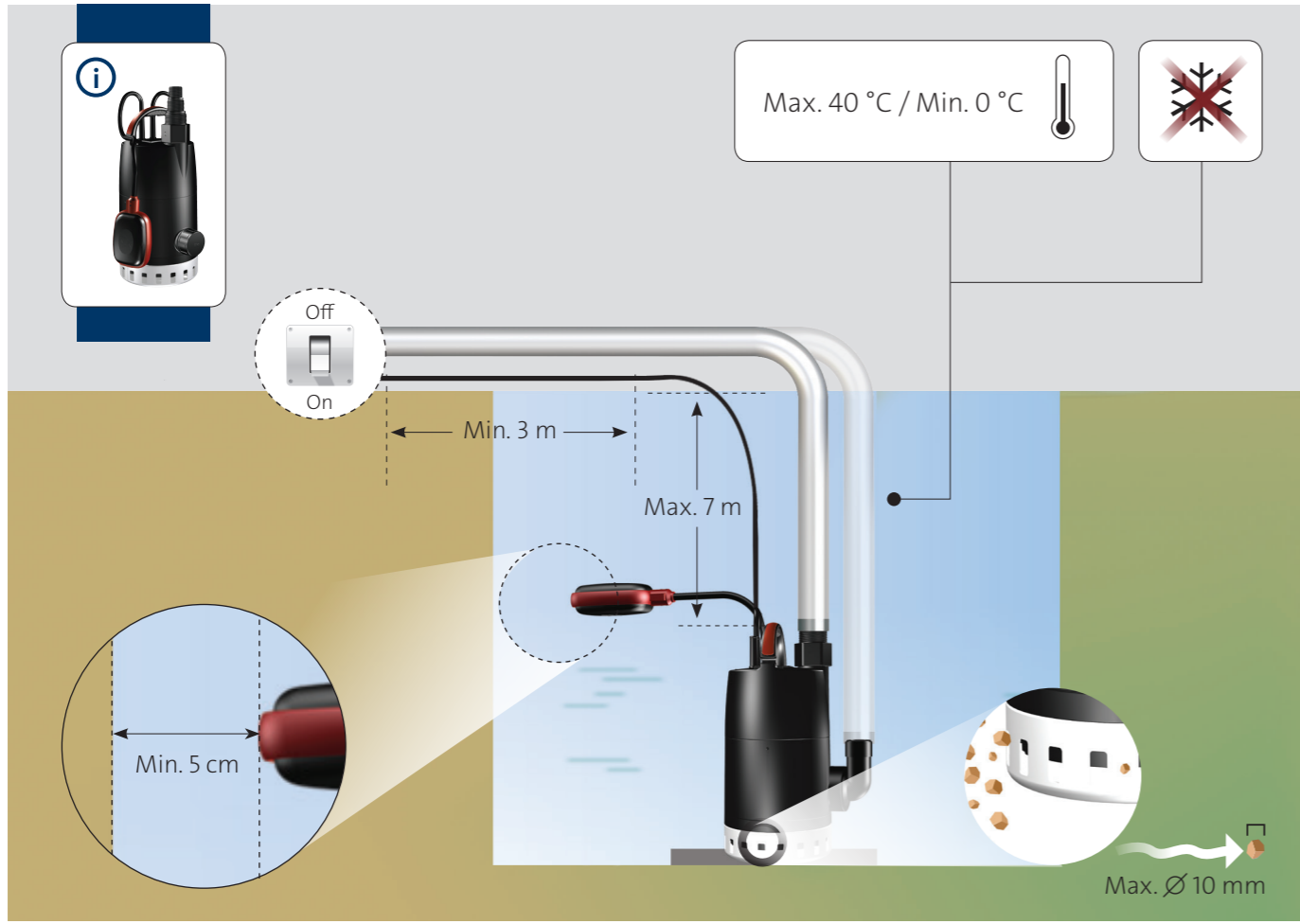
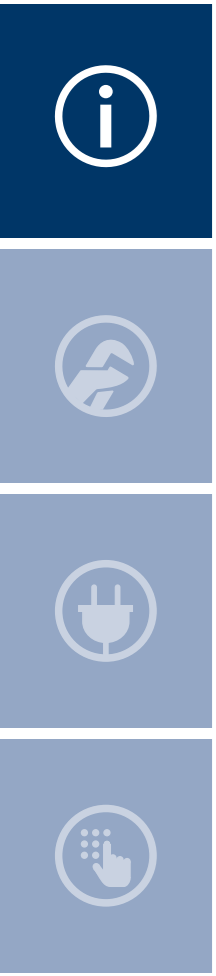
# UNILIFT

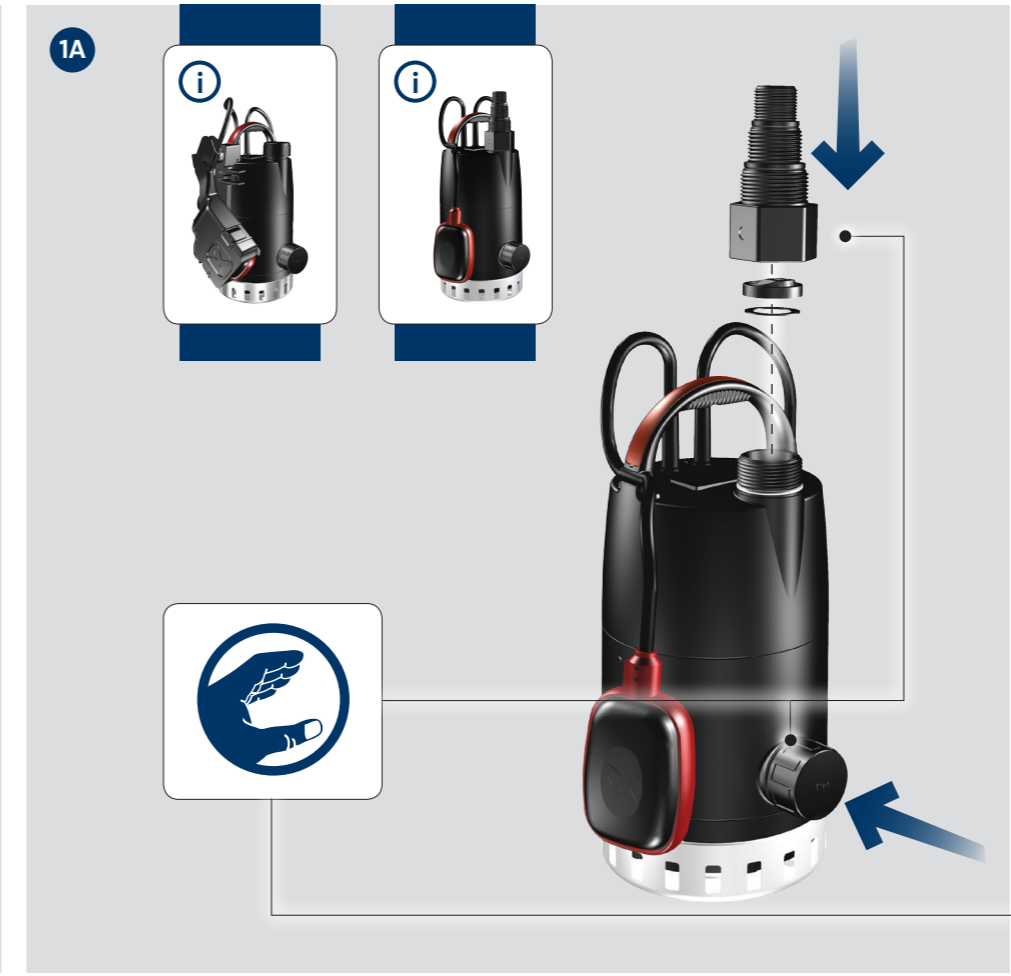
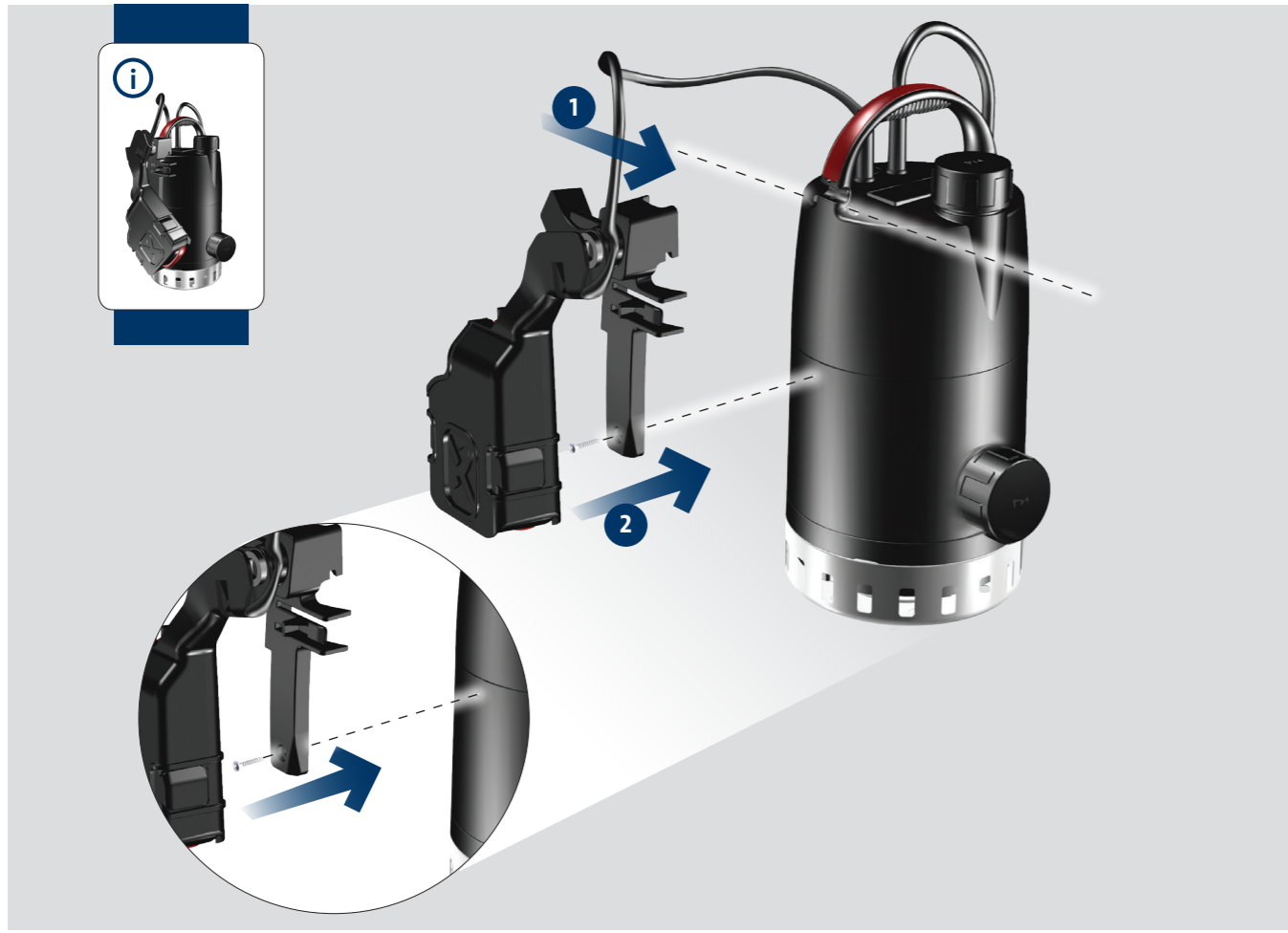
CC 5, CC 7, CC 9

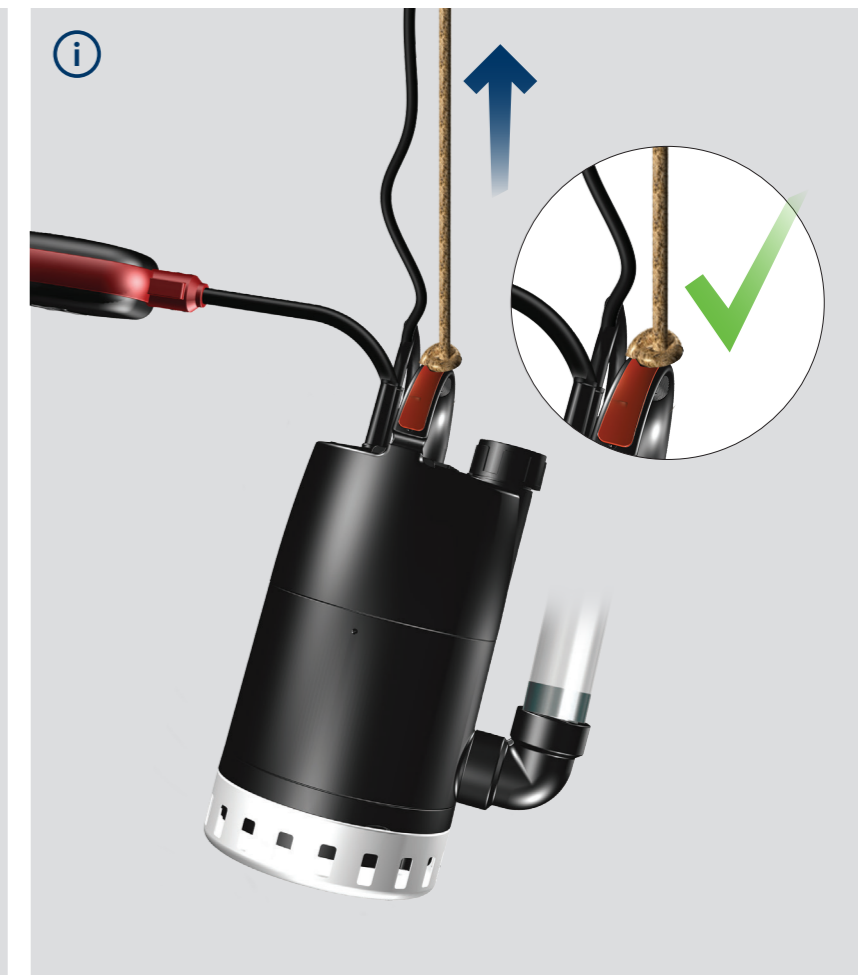
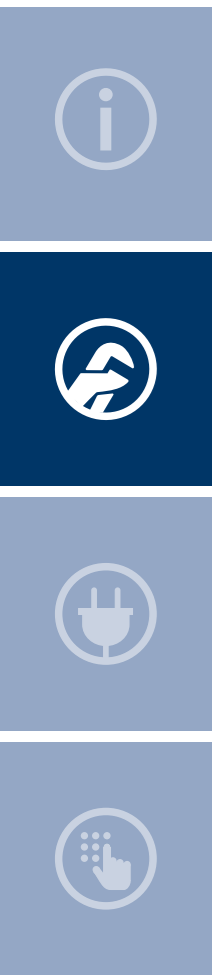
Further product  
documentation



[net.grundfos.com/qr/i/96584492](https://net.grundfos.com/qr/i/96584492)

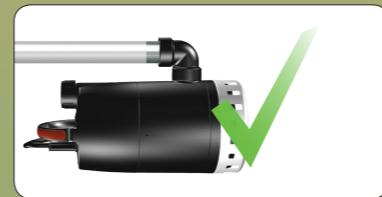
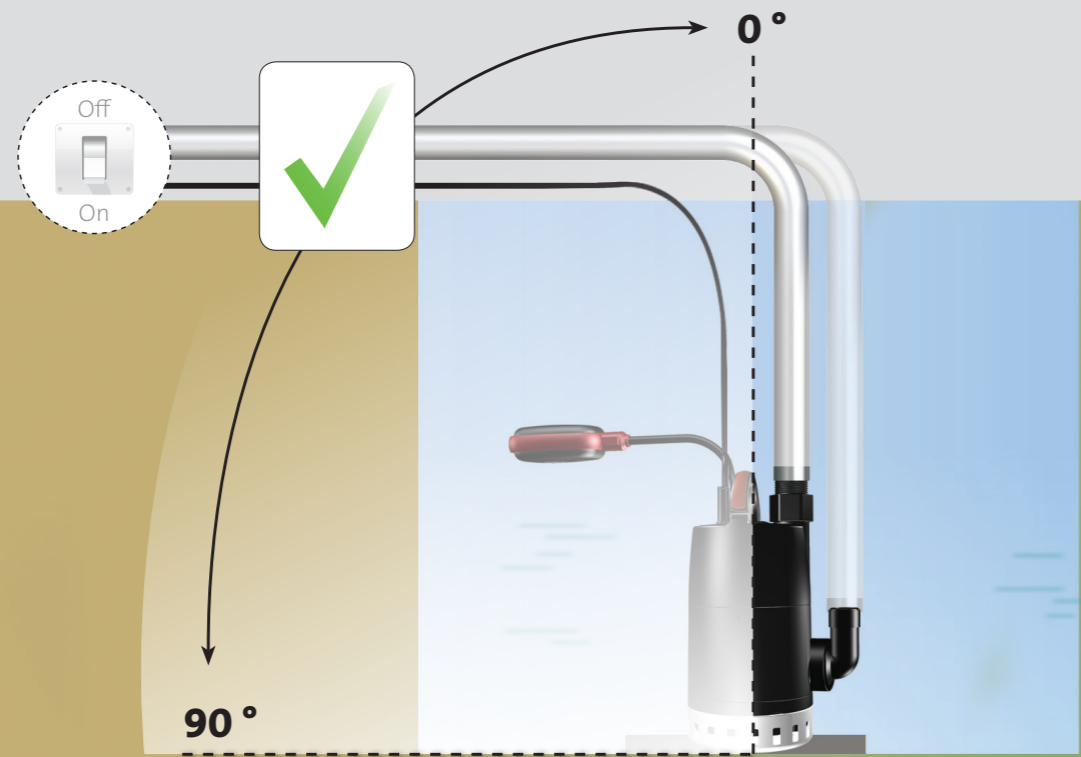








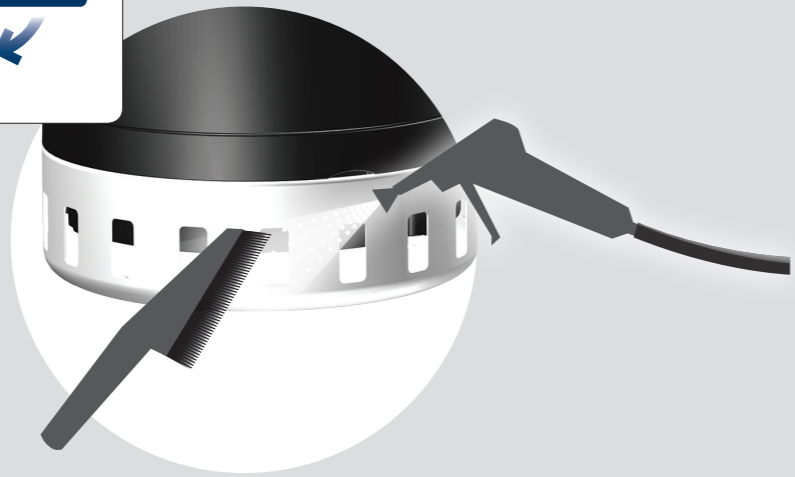
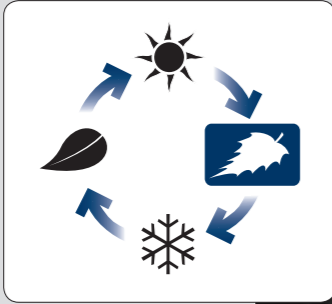
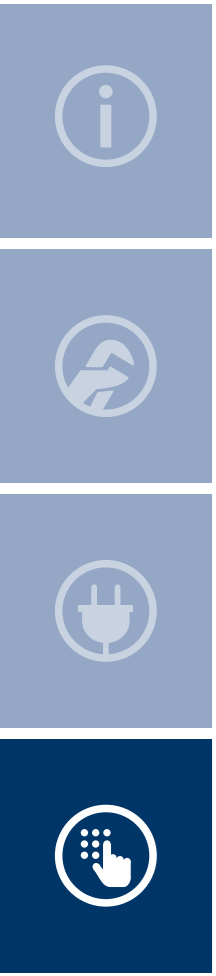
i



i

 Max. 20 starts per 60 minutes.





Further product documentation



[net.grundfos.com/qr/i/96584492](http://net.grundfos.com/qr/i/96584492)



be think innovate

---

99094983 0816

ECM: 1191417

**GRUNDFOS Holding A/S**

Poul Due Jensens Vej 7

DK-8850 Bjerringbro

Tel: +45 87 50 14 00

[www.grundfos.com](http://www.grundfos.com)

**GRUNDFOS** 

The name Grundfos, the Grundfos logo, and be think innovate are registered trademarks owned by Grundfos Holding A/S or Grundfos A/S, Denmark. All rights reserved worldwide.